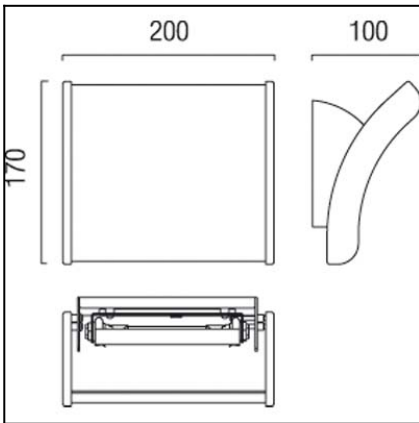


Design by Josep Patsí

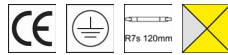

The photograph may not match the reference exactly. Please read the product description to identify the finish.



Download photometric file .ldt / .ies

TECHNICAL CHARACTERISTICS

Type:	Wall fixture
IP Protection degrees:	IP20
Lampholder:	1 x R7s
Power (W):	R7s MAX 150W
Bulb included:	1 x R7s 120W
Total power consumption (W):	150
Voltage / Frequency:	220-240V/50-60Hz
Warranty (Years):	2
Units per box:	1
Net Weight (Kg):	1.035
EAN:	8435111046265,00

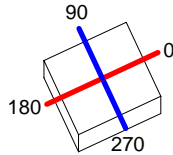

MATERIALS / FINISHES

Structure material: Steel
Structure finish: Chrome

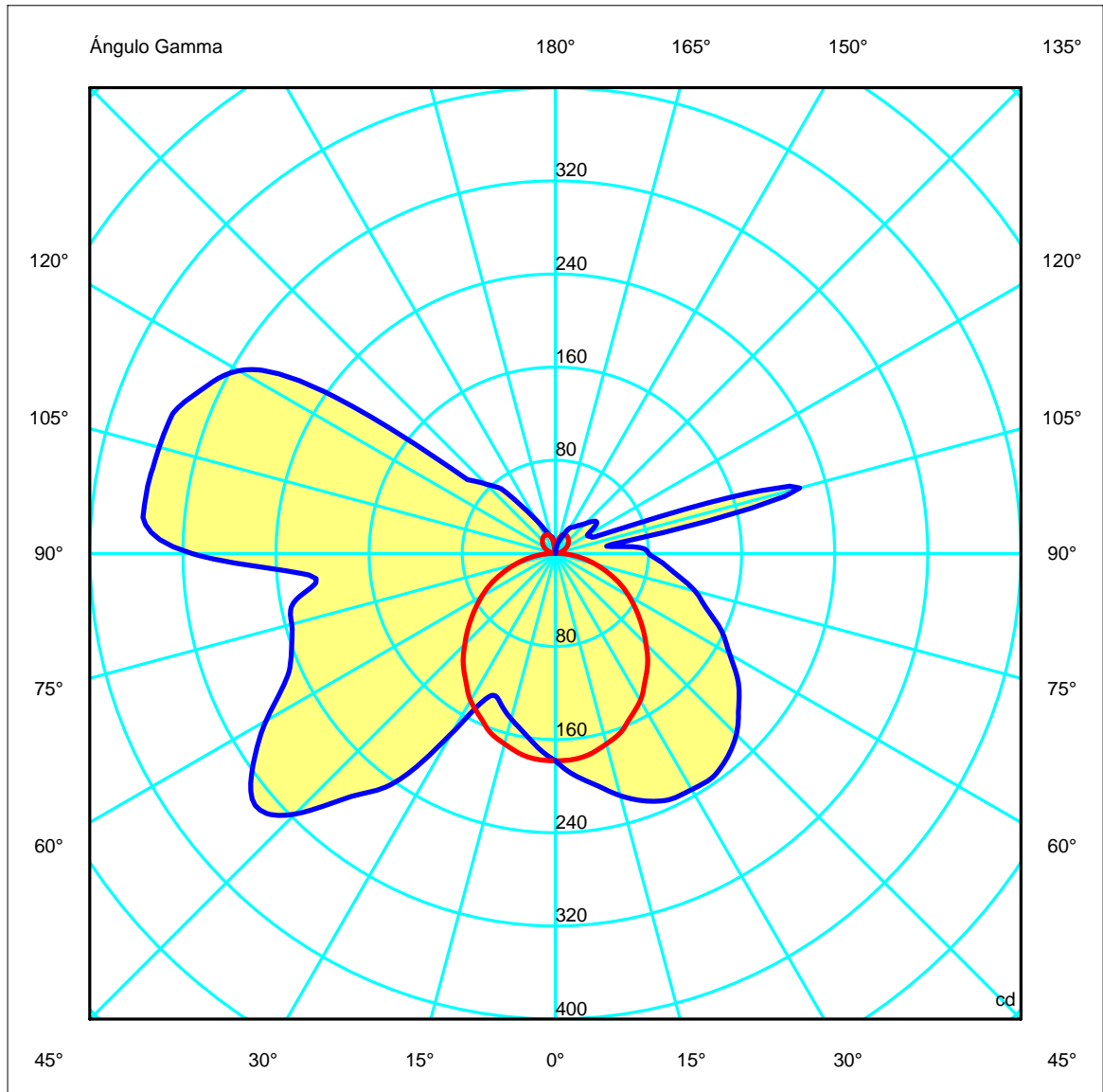
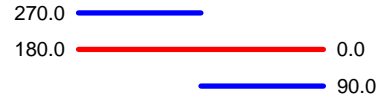
Diffuser material: Glass
Diffuser finish: Tinted

Luminaria		Ensayo		Lámpara	
Código	05-2574-21-B4	Código	05-2574-21-B4	Código	64696
Nombre	Aplique CIAO 1x150W R7s opal	Nombre	Aplique CIAO 1x150W R7s opal	Número	1
Familia	- LEDS-C4	Fecha	07-04-2010	Posición	Universal
Eficiencia	66.64%	Sist. de Coorden.	C-G	Flujo Total	2200.00 lm
Valor Máximo	358.46 cd	Posición	C=285.00 G=95.00	Sim. en los planos	270-90

180mm x 200mm



Semiplanos C





1

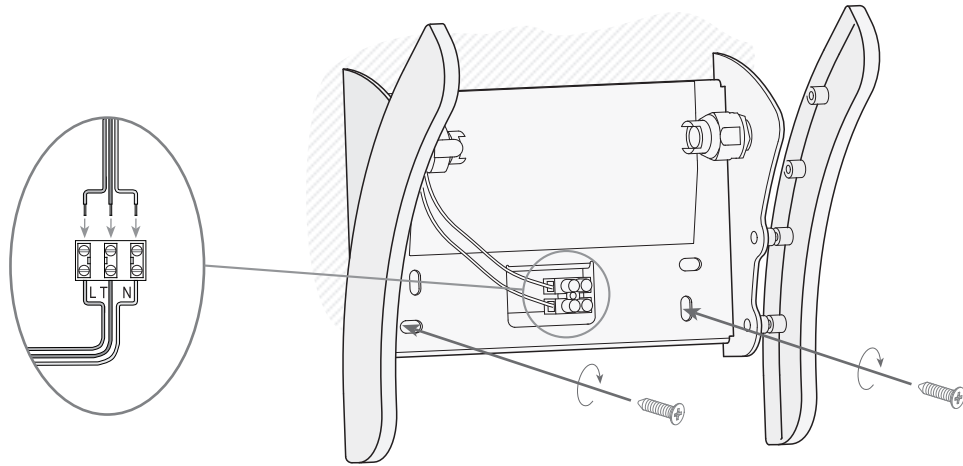
Glass/ Cristal
R-05702

2

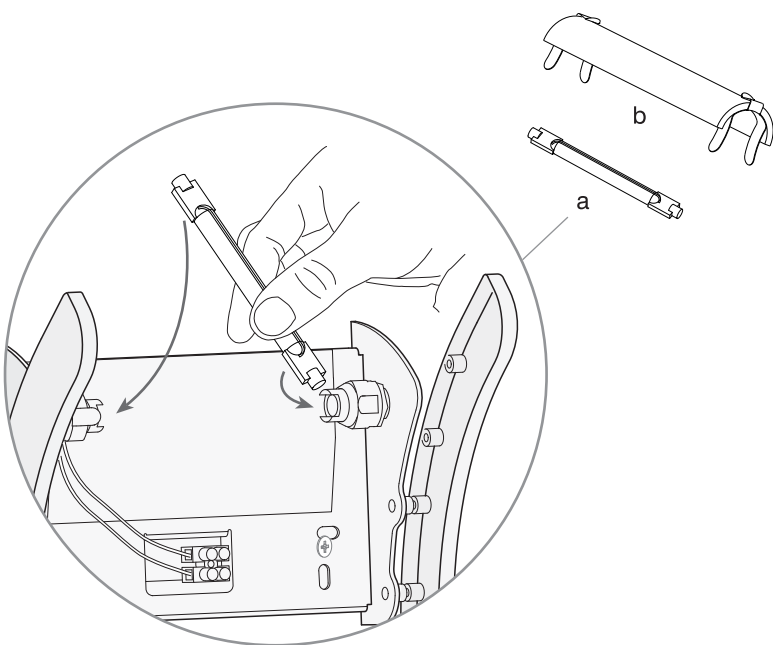
Glass protection/
Cristal protector
R-06619

NOM	DATA	ULTIMA REVISIO	REFERENCIA
ALBERT	27/09/2012	SAT	05-2574

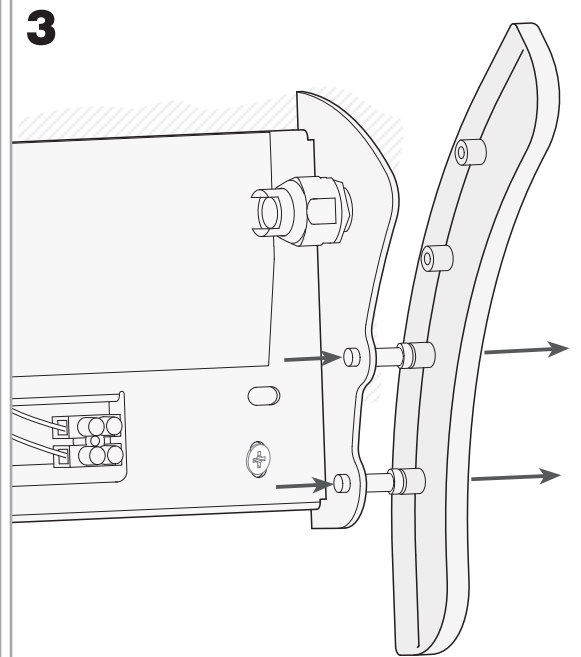
1



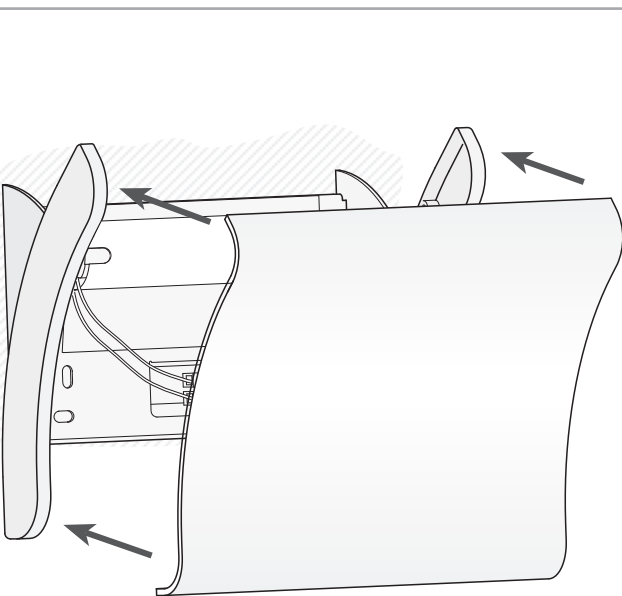
2



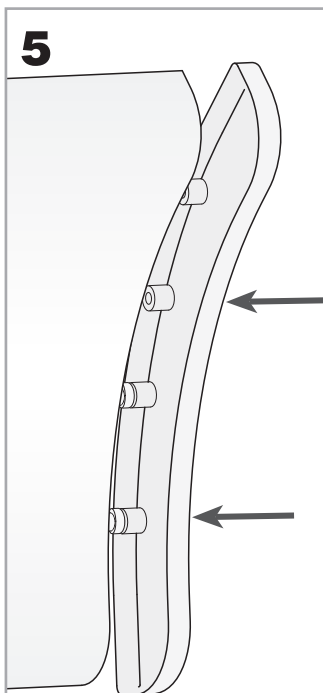
3



4



5



6

