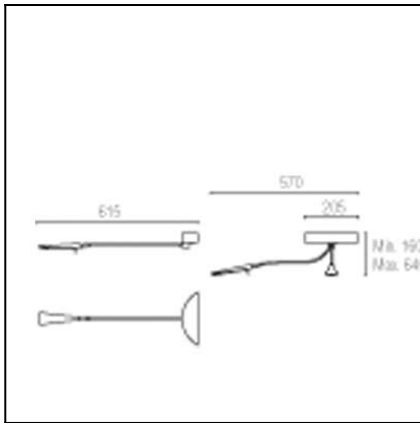


Design by Josep Patsí



The photograph may not match the reference exactly. Please read the product description to identify the finish.



TECHNICAL CHARACTERISTICS

Type:	Wall fixture
Adjustable $\pm 180^\circ$ on the vertical axis	
IP Protection degrees:	IP20
Bulb:	1 x LED Cree. Warm white (<3700 K)
Power (W):	4.5W
Luminous efficacy (Lm/W):	107
CRI:	80
Voltage / Frequency:	100-240V/50-60Hz
Warranty (Years):	2
Option to extend the guarantee:	Yes, 5 years
Units per box:	6
Net Weight (Kg):	1.13
EAN:	8435111059067,00



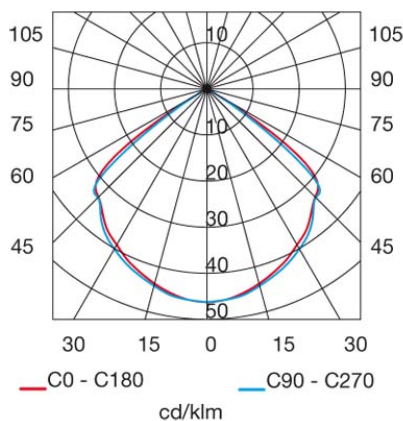
MATERIALS / FINISHES

Structure material: Aluminium
Steel

Diffuser material: Polycarbonate

Structure finish: Ecobright

Diffuser finish: Transparent



Download photometric file .ldt /.ies

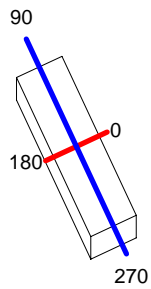
GEAR

Multi-voltage electronic gear included (110-240 V / 50-60 Hz)

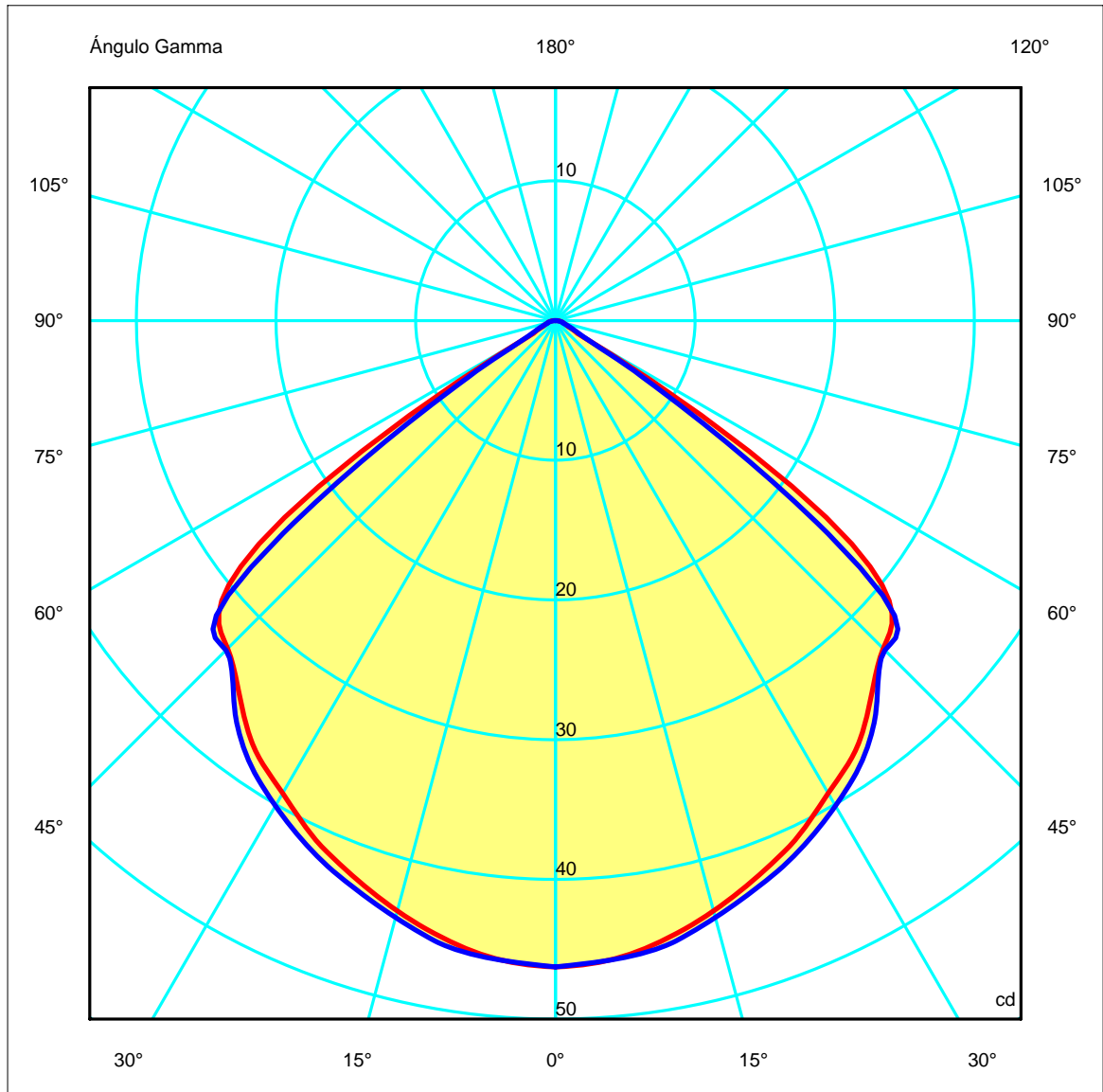
Luminaria		Ensayo		Lámpara	
Código	05-2708-21-21	Código	05-2708-21-21	Código	LAMP 05-2708-21-21
Nombre	Aplicque OPEN 4.5W led	Nombre	Aplicque OPEN 4.5W led	Número	1
Familia	- LEDS C4 LEDS	Fecha	08-04-2010	Posición	Universal
Eficiencia	100.00%	Sist. de Coorden.	C-G	Flujo Total	101.19 lm
Valor Máximo	46.26 cd	Posición	C=0.00 G=0.00	Bisimétrico	

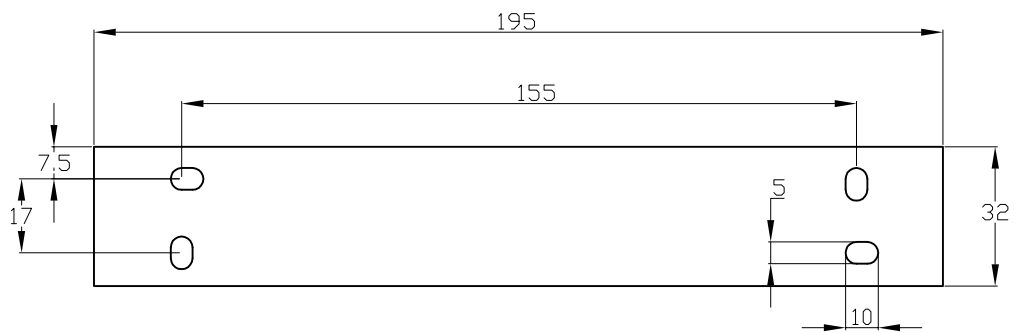
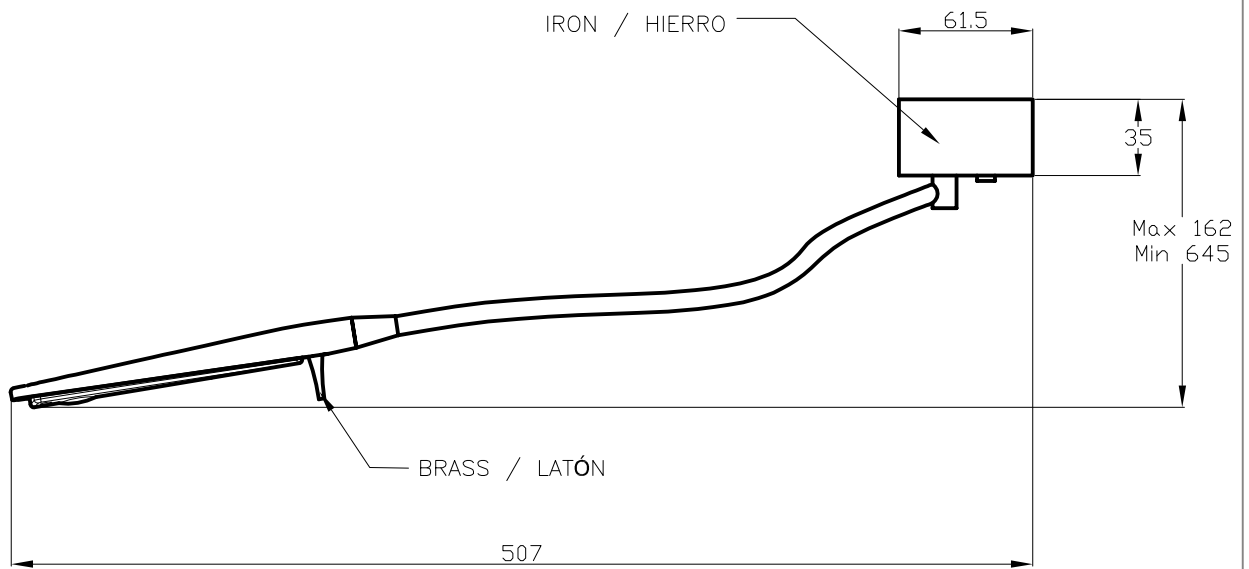
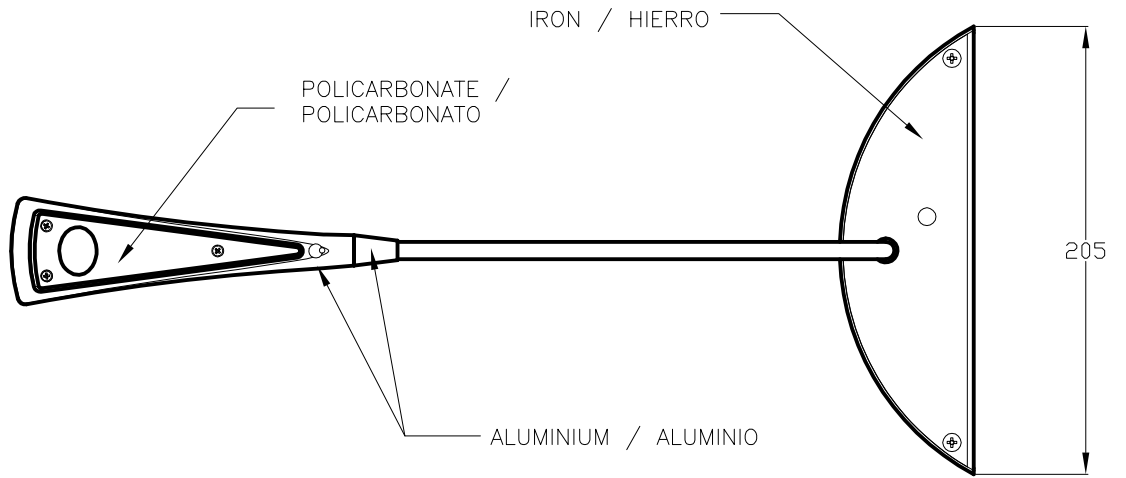
175mm x 50mm

Semiplanos C

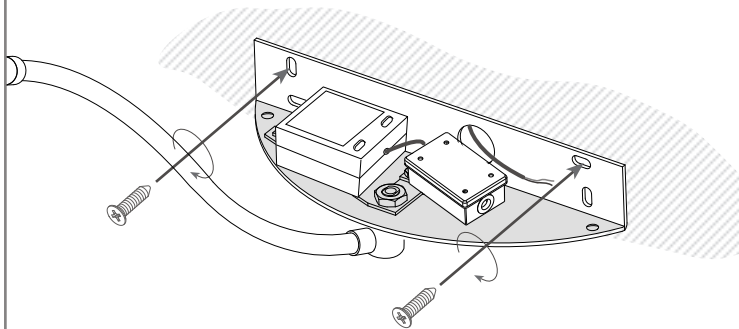


180.0 ——— 0.0
270.0 ——— 90.0

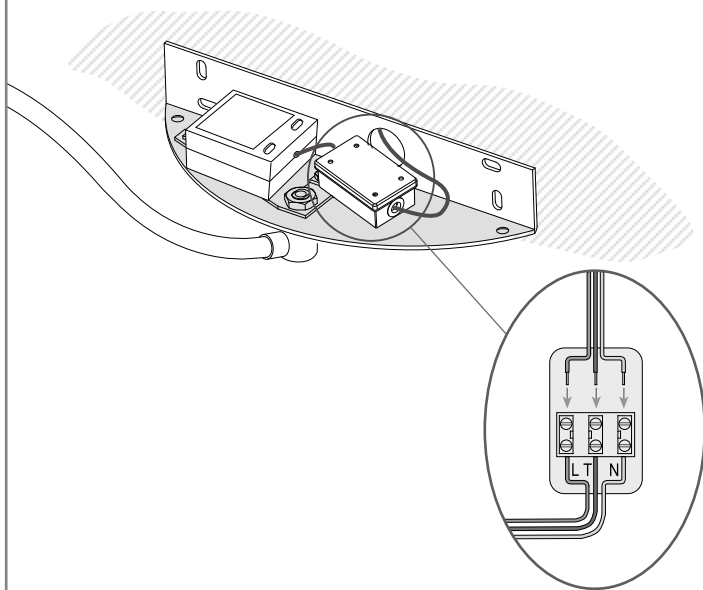




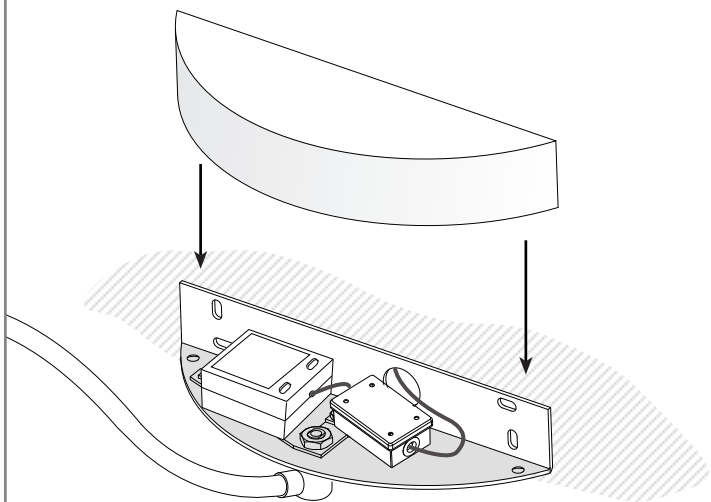
1



2



3



4

