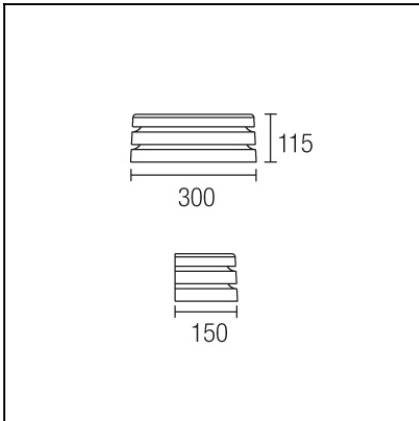


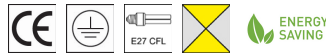


The photograph may not match the reference exactly. Please read the product description to identify the finish.



TECHNICAL CHARACTERISTICS

Type:	Wall fixture
IP Protection degrees:	IP20
Lampholder:	2 x E27
Power (W):	E27 20
Bulb included:	2 x E27 20. Warm White - 2700K
Total power consumption (W):	40
Voltage / Frequency:	220-240V/50-60Hz
Warranty (Years):	2
Units per box:	6
Net Weight (Kg):	1.13
EAN:	8435111064719,00



MATERIALS / FINISHES

Structure material: Steel

Diffuser material: Steel shade
Acrylic

Structure finish: Chrome

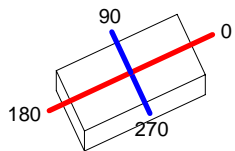
Diffuser finish: Shiny black/Shiny
white/chrome
Matt

Download photometric file .ldt /.ies

Luminaire		Measur.		Lamp		
Code	05-2785-21-AS	Code	05-2785-21-AS	Code	DLX EL LL 15W827E27	
Name	Aplique 2x16W PL E27	Name	Aplique 2x16W PL E27	Number	2	
Line	- LEDS-C4	Date	16-12-2013	Position	Universal	
Efficiency	54.18%	Coordinate system	CG	Total Flux	1800.00 lm	
Maximum value	209.99 cd	Position	C=0.00 G=160.00	Sym. on planes	270-90	
Rectangular Luminaire	Length	150 mm	Width	300 mm	Height	115 mm
Rectangular Luminous Area	Length	150 mm	Width	300 mm	Height	115 mm
Horizontal Luminous Area	0.045000 m2	Emitting area on Plane 180°	0.017250 m2			
Emitting area on Plane 0°	0.017250 m2	Emitting area on Plane 270°	0.034500 m2			
Emitting area on Plane 90°	0.034500 m2	Glare area at 76°	0.027624 m2			
Symmetry Type	Sym. on planes 270-90	Maximum Gamma Angle	180			
Measurement Distance	6.44	Measurement Flux	1800.00 lm			
Operator	Asselum T2	Source voltage	230.00 V			
Temperature	20.00 °C	Source current	PRC			
Humidity	46.00 %	Photocell				
Notes						

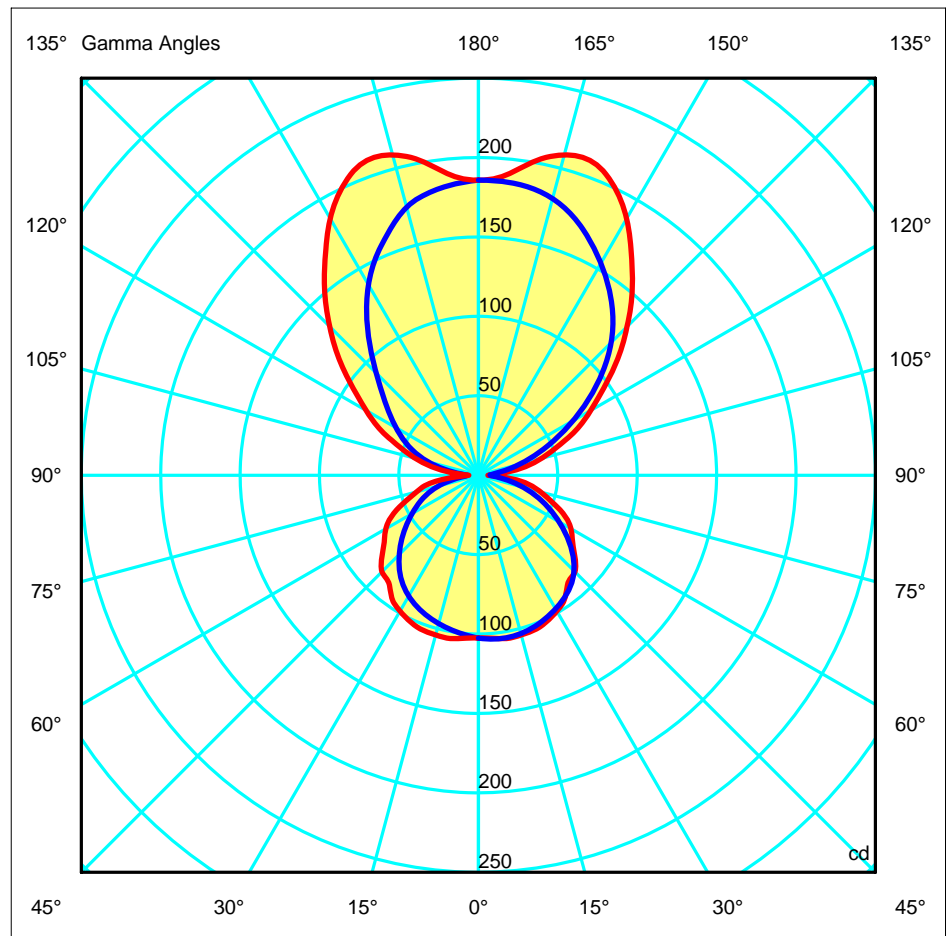
Luminaire Lamps					
Line	Code	Name	Flux [lm]	Pow. [W]	Q.ty
OSRAM 2006 FB,T,G,C,FS,Q,M,D	DLX EL LL 15W827E27	DULUX® EL LONGLIFE 15W/827 E27	900.00	15.00	2
C.I.E.	39 69 90 39 54	D DIN 5040	D22		
F UTE	0.21 G + 0.33 T	B NBN	BZ 6 / 0.8 / BZ 5 / 1 / BZ 6 / 2 / BZ 5		

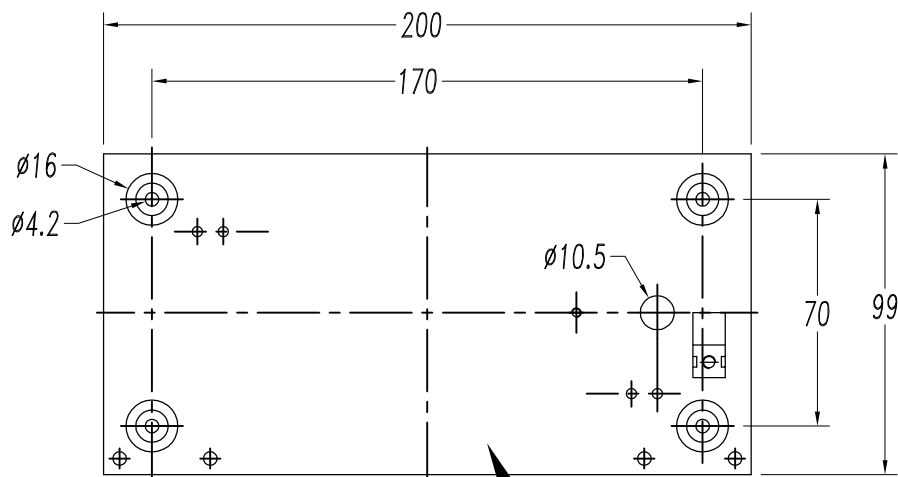
150mm x 300mm



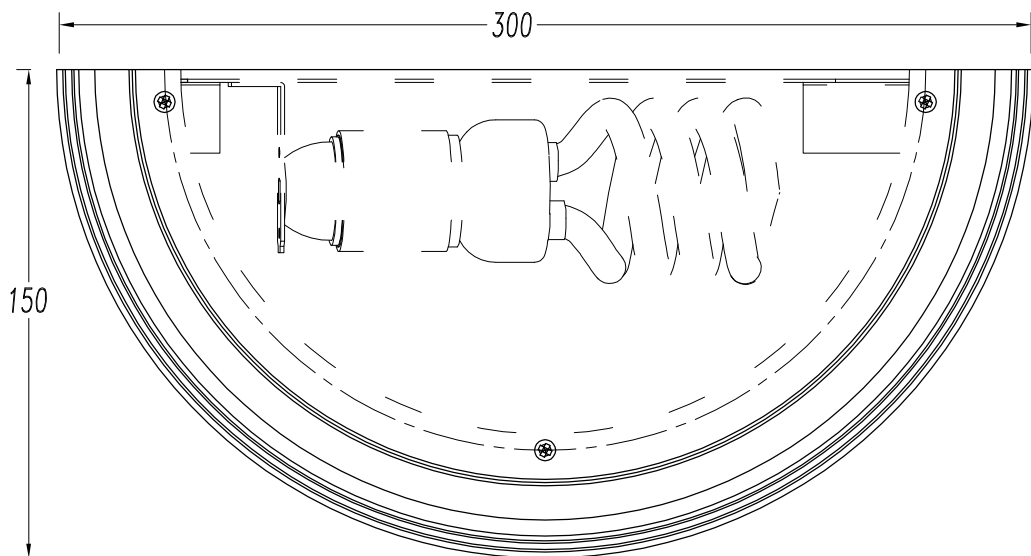
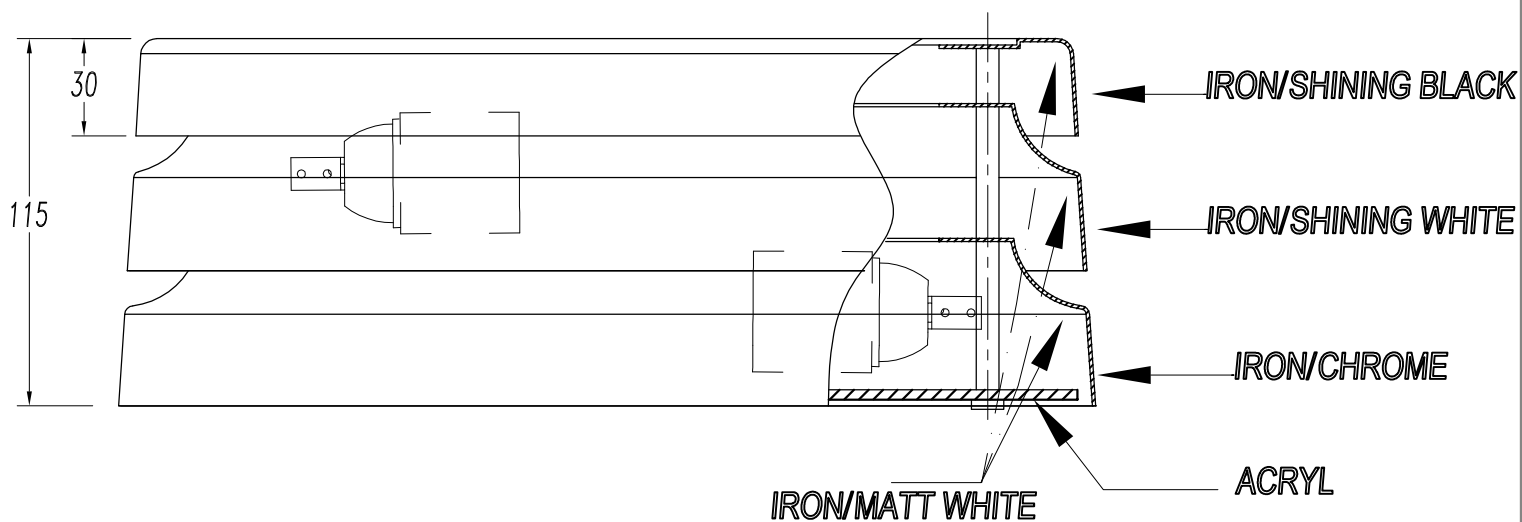
C Halfplanes
 270.0 ——— 0.0
 180.0 ——— 90.0

ULOR 32.81 %
 DLOR 21.38 %
 RN 60.55 %





IRON/MATT WHITE



ERROR: syntaxerror
OFFENDING COMMAND: --nostringval--

STACK:

/Title
()
/Subject
(D:20091112092951+01'00')
/ModDate
()
/Keywords
(PDFCreator Version 0.9.5)
/Creator
(D:20091112092951+01'00')
/CreationDate
(ctiana)
/Author
-mark-

