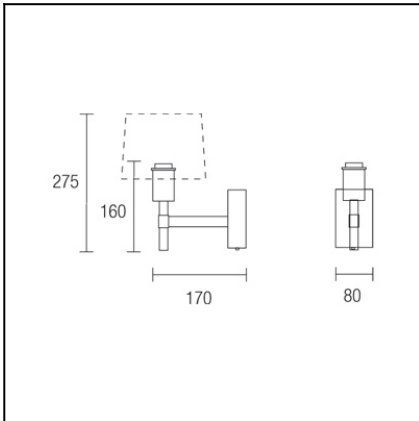




The photograph may not match the reference exactly. Please read the product description to identify the finish.



TECHNICAL CHARACTERISTICS

Type:	Wall fixture
IP Protection degrees:	IP20
Lampholder:	1 x E27
Power (W):	E27 MAX 60W
Total power consumption (W):	60
Voltage / Frequency:	220-240V/50-60Hz
Warranty (Years):	2
Units per box:	12
Net Weight (Kg):	0.67
EAN:	8435111066058,00

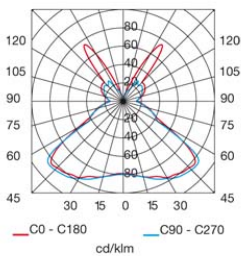


MATERIALS / FINISHES

Structure material: Steel

Structure finish: Satin nickel

05-2815-81-81 + PAN-145-14
E-27 60W



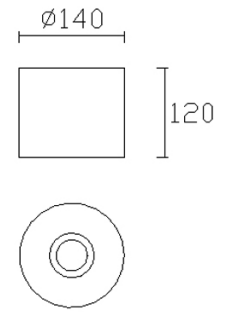
$\eta = 83,78\%$

Download photometric file .ldt / .ies

PAN-175-14


Structure material: Steel
Structure finish: White

Diffuser material: Fabric shade
Diffuser finish: White

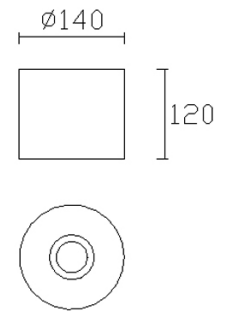


IP20

PAN-175-BY


Structure material: Steel
Structure finish: White

Diffuser material: Fabric shade
Diffuser finish: Sandblasted

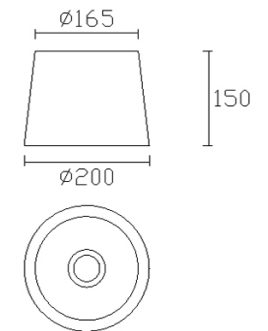


IP20

PAN-157-14


Structure material: Steel
Structure finish: White

Diffuser material: Fabric shade
Diffuser finish: White

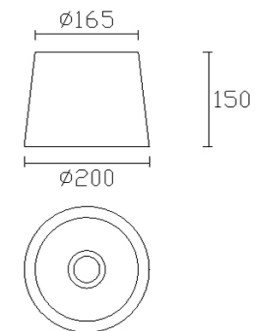


IP20

PAN-157-BY


Structure material: Steel
Structure finish: White

Diffuser material: Fabric shade
Diffuser finish: Sandblasted

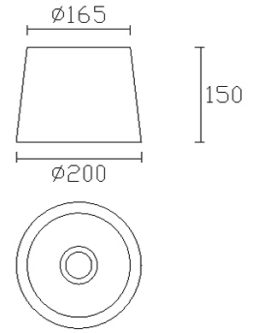


IP20

PAN-158-J6



Structure material: Steel
Structure finish: White
Diffuser material: Fabric shade
Diffuser finish: Brown

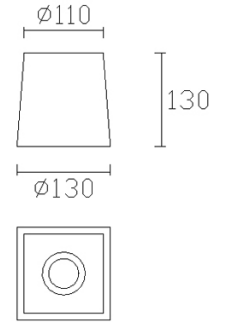


IP20

PAN-178-14



Structure material: Steel
Structure finish: White
Diffuser material: Fabric shade
Diffuser finish: White

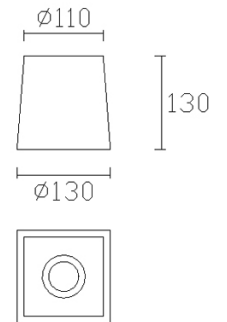


IP20

PAN-178-BY



Structure material: Steel
Structure finish: White
Diffuser material: Fabric shade
Diffuser finish: Sandblasted

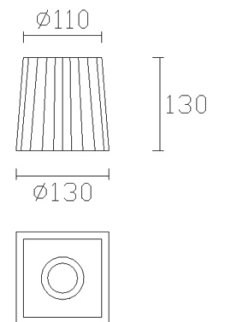


IP20

PAN-186-20



Structure material: Steel
Structure finish: White
Diffuser material: Fabric shade
Diffuser finish: Beige



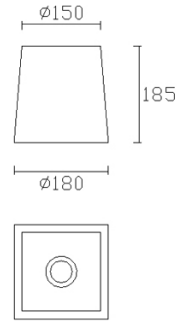
IP20

PAN-179-14



Structure material: Steel
Structure finish: White

Diffuser material: Fabric shade
Diffuser finish: White



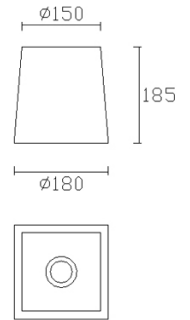
IP20

PAN-179-BY



Structure material: Steel
Structure finish: White

Diffuser material: Fabric shade
Diffuser finish: Sandblasted



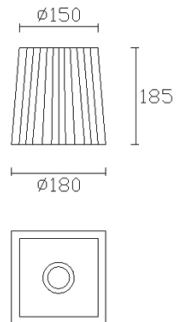
IP20

PAN-187-20



Structure material: Steel
Structure finish: White

Diffuser material: Fabric shade
Diffuser finish: Beige



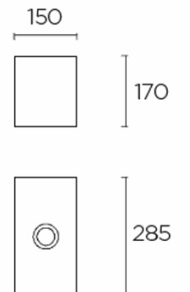
IP20

PAN-176-14



Structure material: Steel

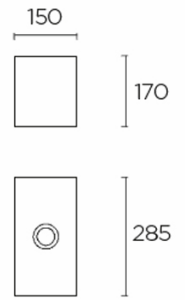
Diffuser material: Fabric shade
Diffuser finish: White



PAN-176-BY



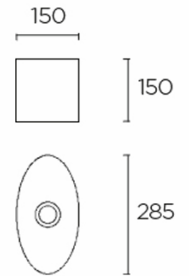
Structure material: Steel
Diffuser material: Fabric shade
Diffuser finish: Sandblasted



PAN-177-14



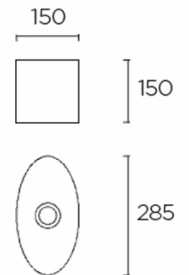
Structure material: Steel
Diffuser material: Fabric shade
Diffuser finish: White



PAN-177-BY



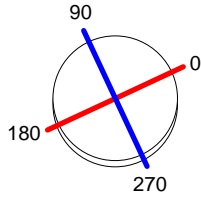
Structure material: Steel
Diffuser material: Fabric shade
Diffuser finish: Sandblasted



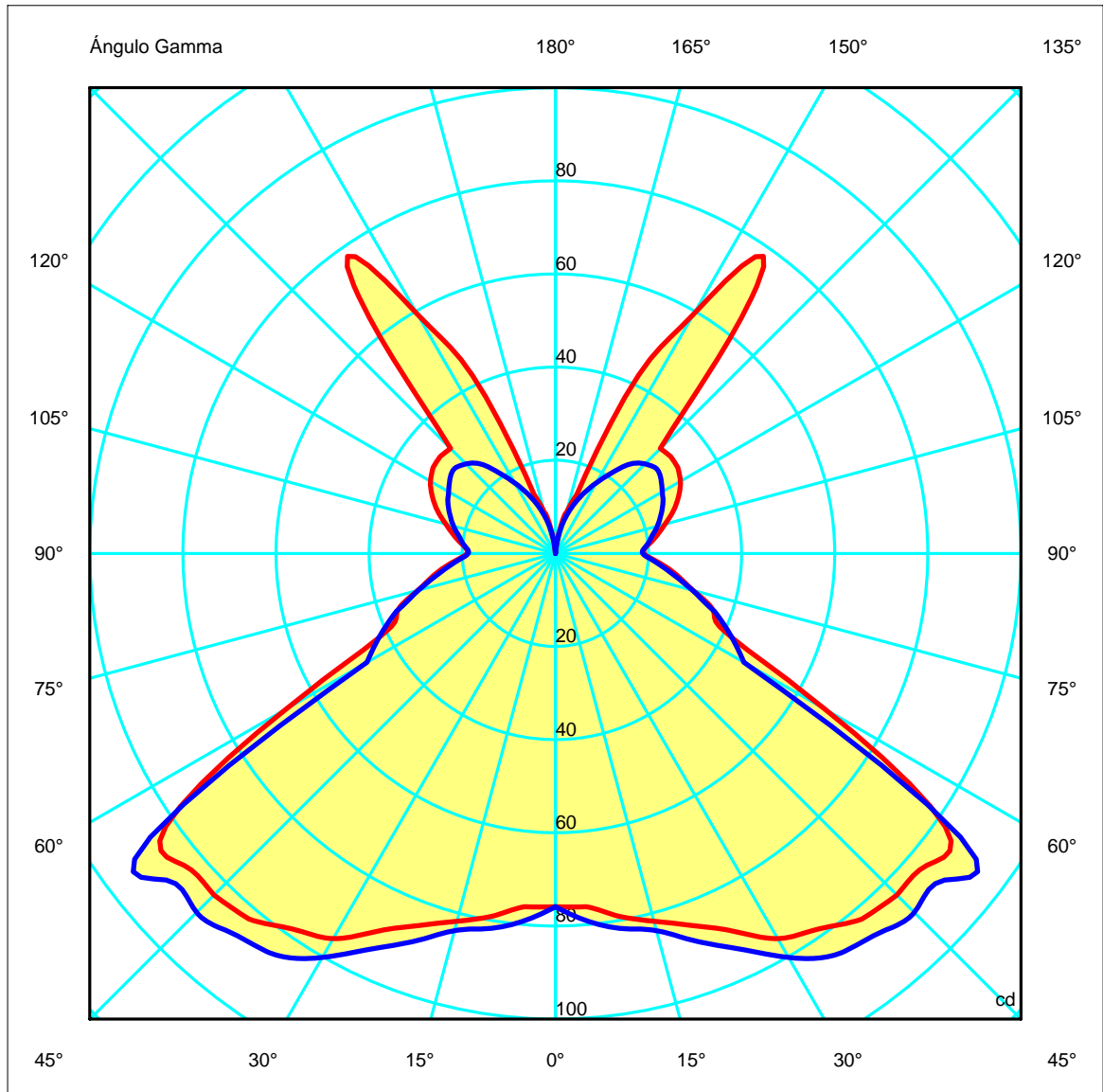
Luminaria		Ensayo		Lámpara	
Código	05-2815-81-81 144-14	Código	05-2815-81-81 144-14	Código	CLAS A CL 60
Nombre	Aplique BRISTOL 60W E27 144-14	Nombre	Aplique BRISTOL 60W PAN-144-14	Número	1
Familia	- LEDS-C4	Fecha	19-04-2010	Posición	Universal
Eficiencia	81.88%	Sist. de Coorden.	C-G	Flujo Total	710.00 lm
Valor Máximo	109.12 cd	Posición	C=90.00 G=50.00		Bisimétrico

Diam=200mm

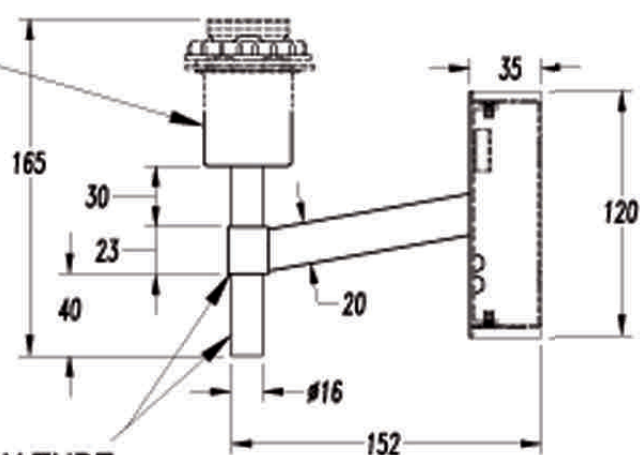
Semiplanos C



180.0 ——— 0.0
270.0 ——— 90.0

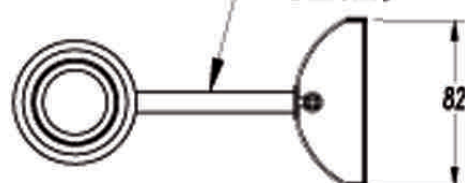


IRON /Satin Nickel
or Chrome

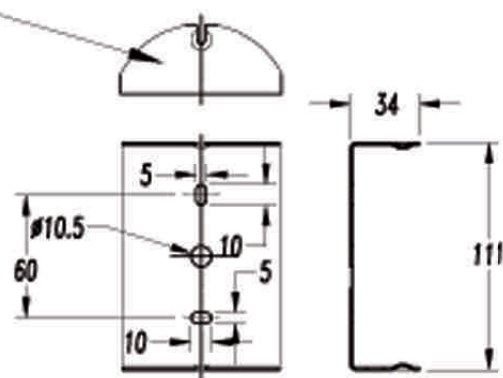


Ø16 IRON TUBE
/Satin Nickel or
Chrome

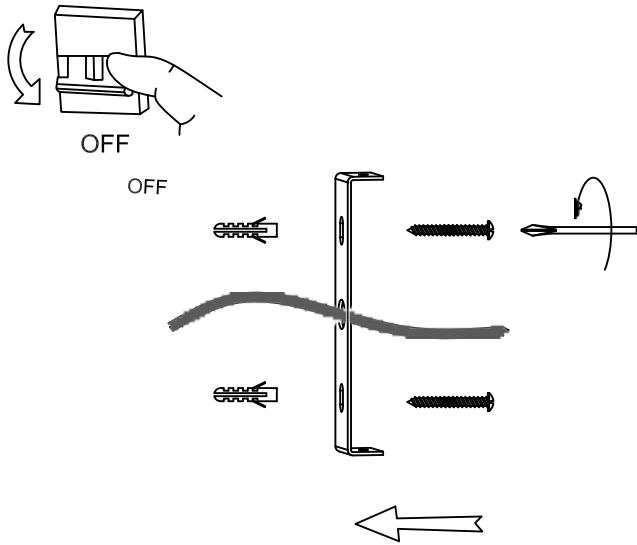
20x10 IRON TUBE
/Satin Nickel or
Chrome



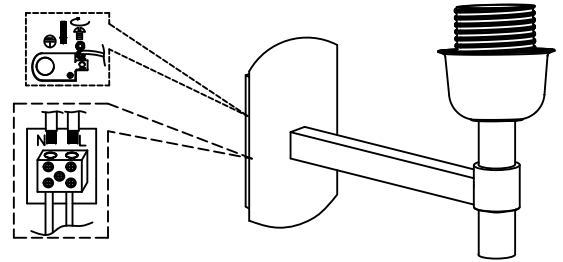
IRON /Satin Nickel
or Chrome



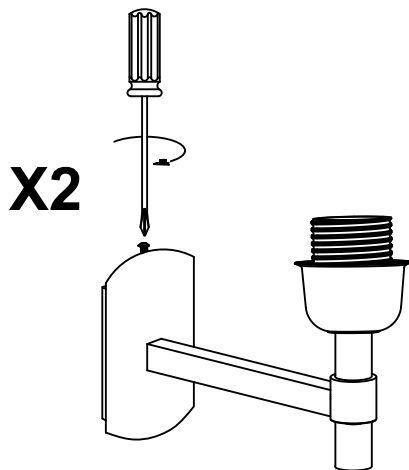
1



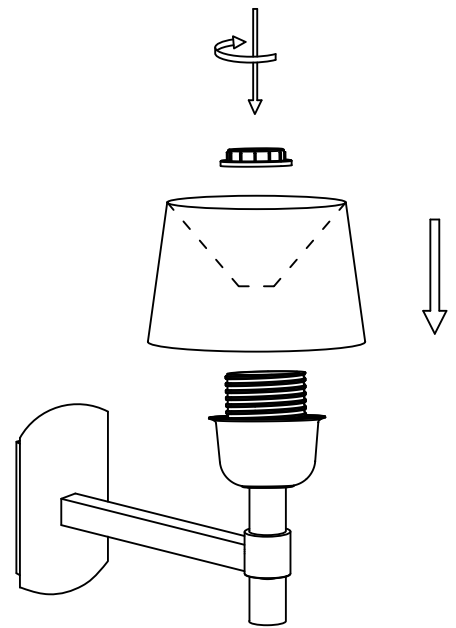
2



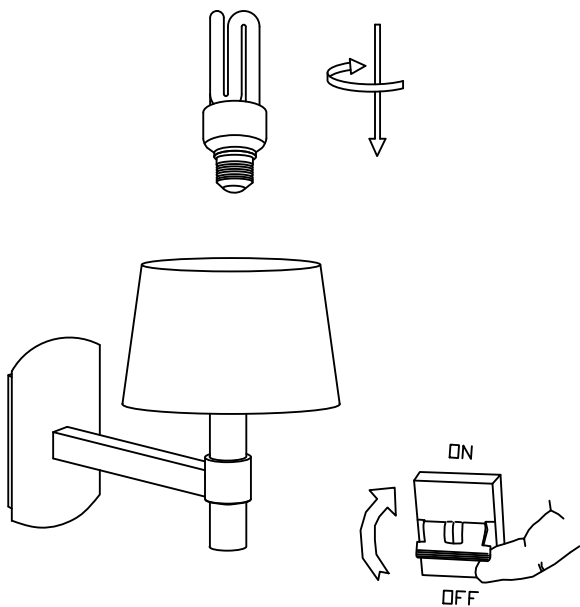
3



4



5



6

