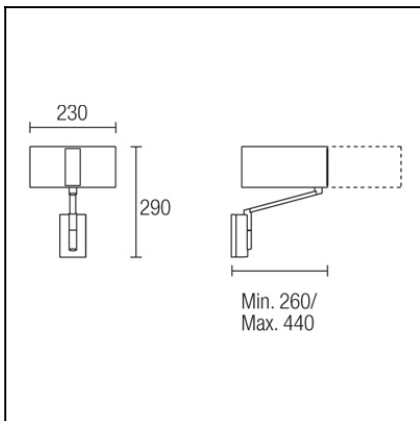


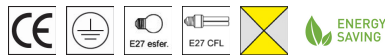


The photograph may not match the reference exactly. Please read the product description to identify the finish.



### TECHNICAL CHARACTERISTICS

Type:	Wall fixture
Adjustable 350° on the vertical axis.	
IP Protection degrees:	IP20
Lampholder:	1 x E27 1 x E27
Power (W):	E27 60 E27 15
Total power consumption (W):	60
Voltage / Frequency:	220-240V/50-60Hz
Warranty (Years):	2
Units per box:	1
Net Weight (Kg):	1.17
EAN:	8435111066102,00



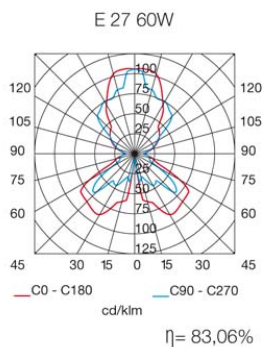
### MATERIALS / FINISHES

**Structure material:** Steel

**Diffuser material:** Fabric shade  
Acrylic

**Structure finish:** Satin nickel

**Diffuser finish:** White  
Matt

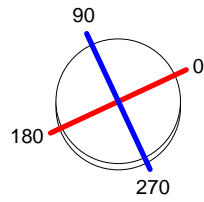


Download photometric file .ldt / .ies

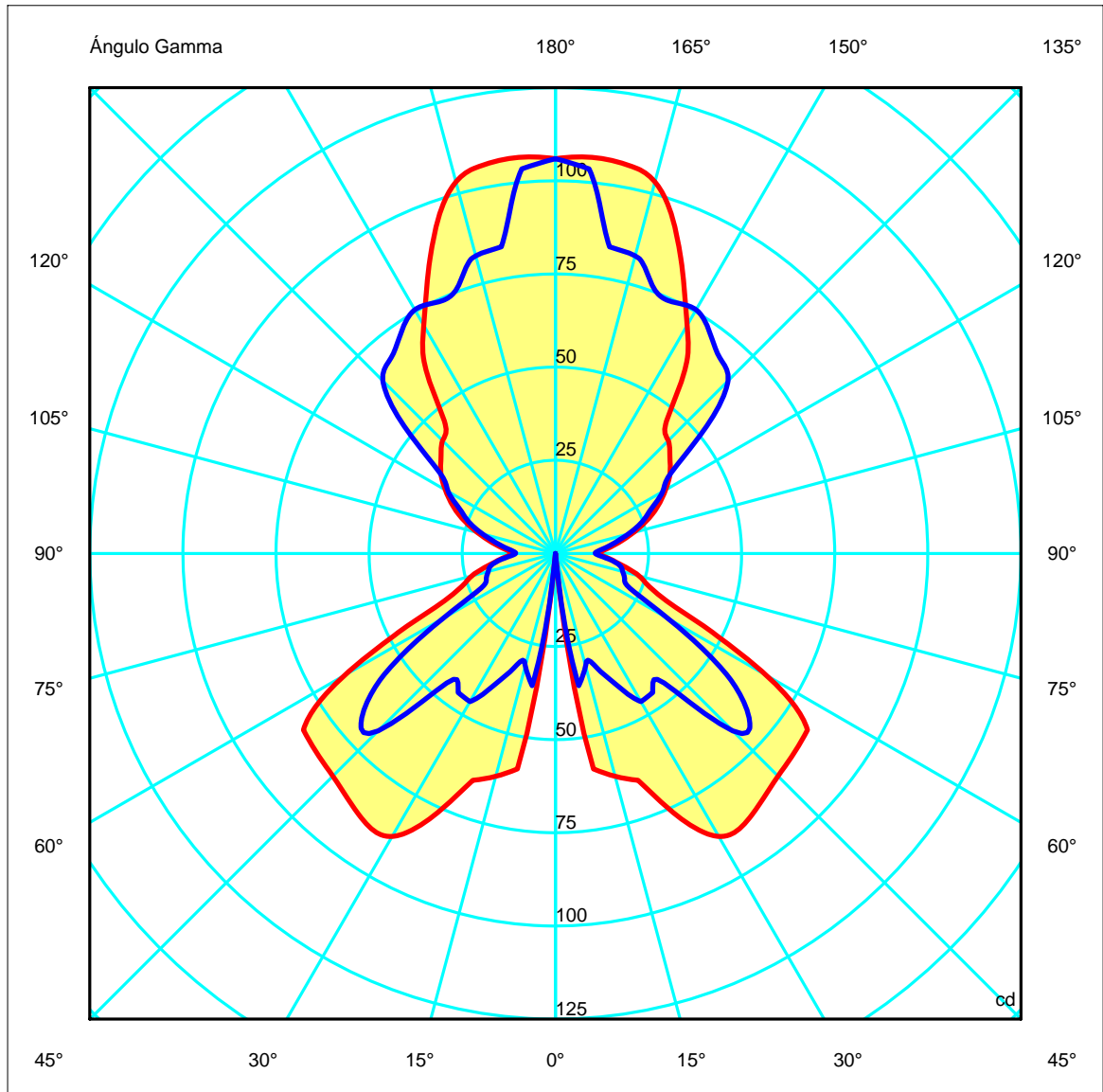
<b>Luminaria</b>		<b>Ensayo</b>		<b>Lámpara</b>	
Código	05-2817-81-14	Código	05-2817-81-14	Código	CLAS A CL 60
Nombre	Aplique TWIST 60W E27 blanca	NombreSobremesa	TWIST 60W E27 blanca	Número	1
Familia	- LEDS-C4	Fecha	27-07-2010	Posición	Universal
Eficiencia	83.06%	Sist. de Coorden.	C-G	Flujo Total	710.00 lm
Valor Máximo	107.28 cd	Posición	C=15.00 G=175.00	Asimétrico	

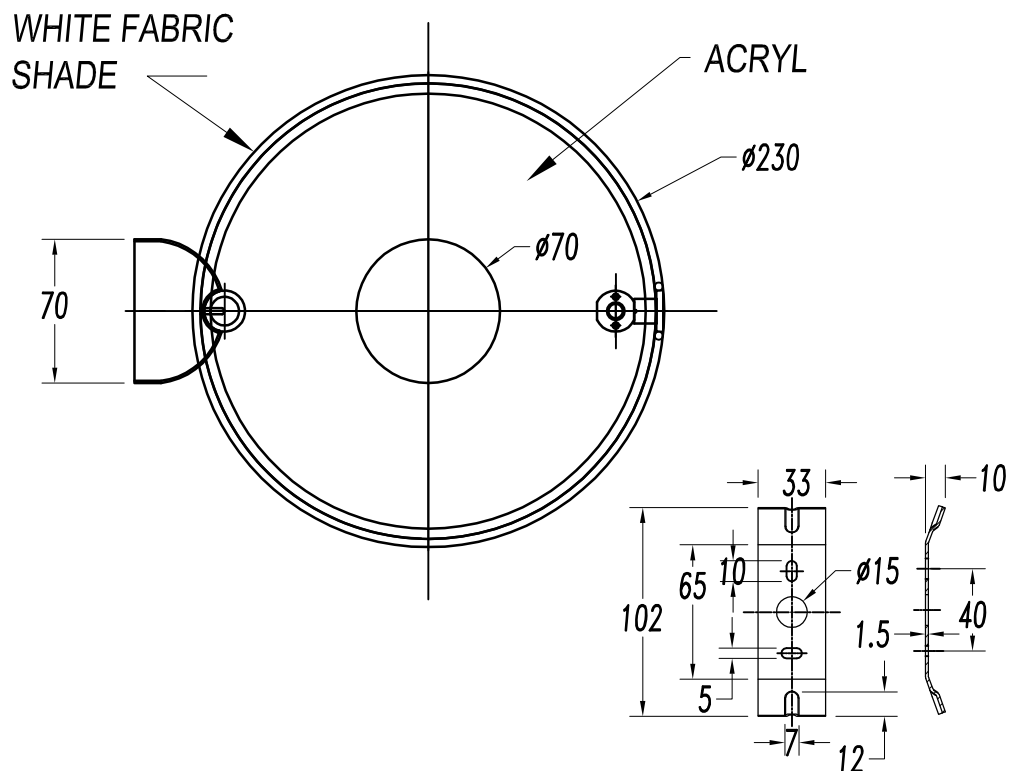
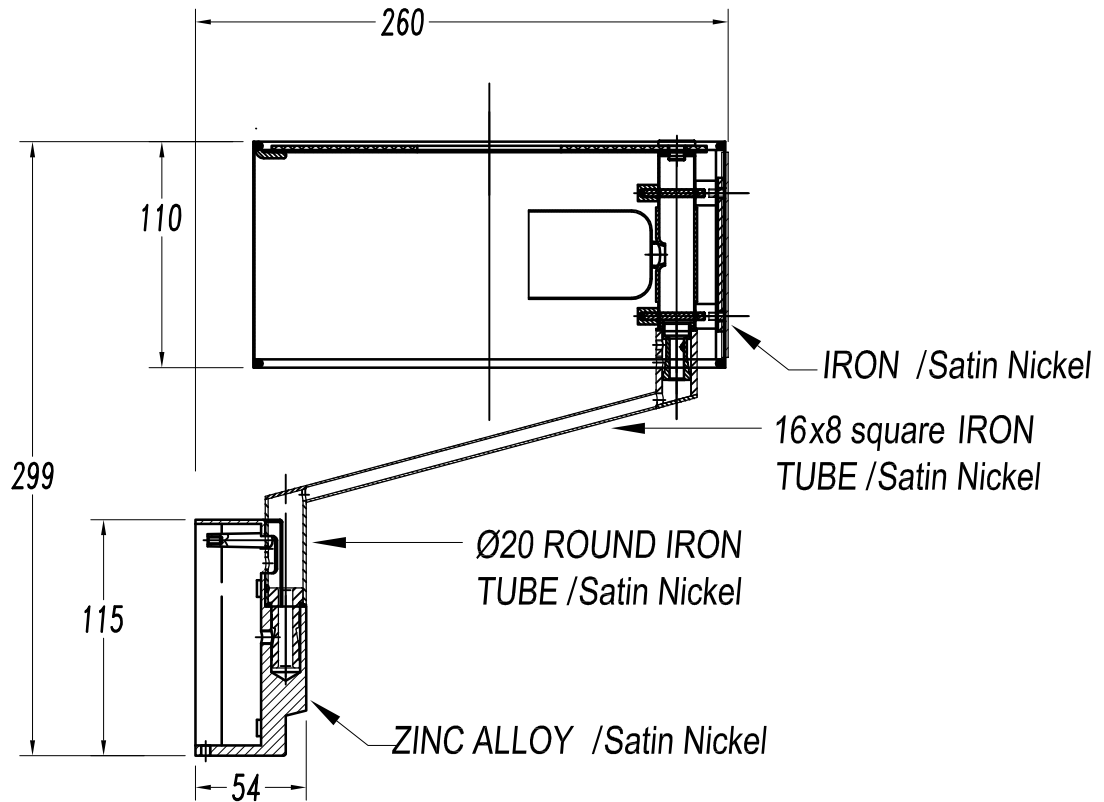
Diam=230mm

Semiplanos C



180.0 ——— 0.0  
270.0 ——— 90.0

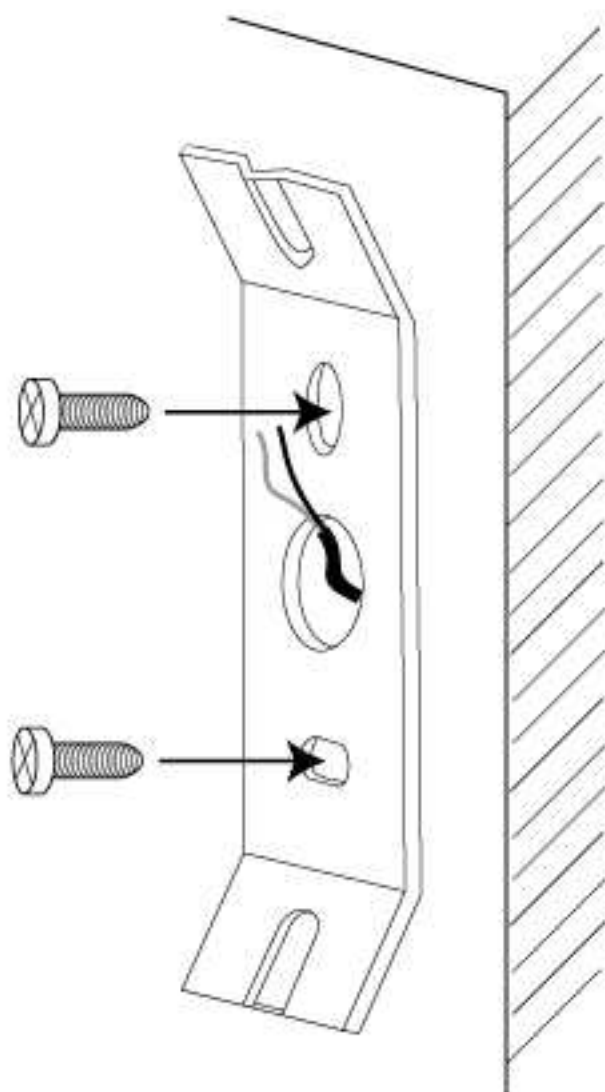




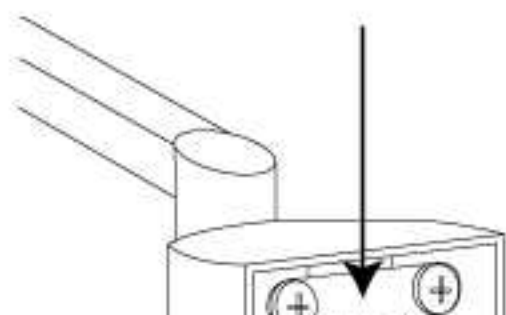


**LED S-C4**

**1**



**3**



**4**

