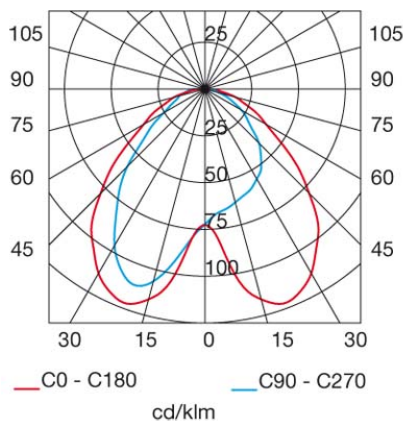
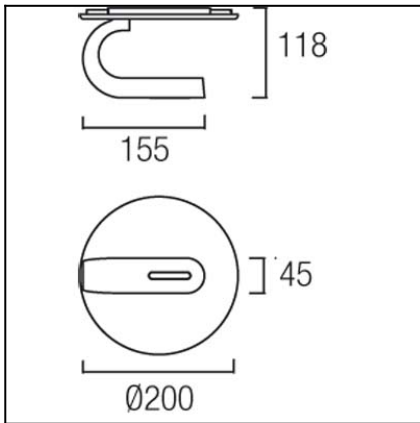


Design by Josep Patsí



The photograph may not match the reference exactly. Please read the product description to identify the finish.



Download photometric file .ldt /.ies

### TECHNICAL CHARACTERISTICS

Type:	Wall fixture
IP Protection degrees:	IP20
Lampholder:	1 x G9
Power (W):	G9 MAX 75W
Bulb included:	1 x G9 60W
Total power consumption (W):	75
Voltage / Frequency:	230V/50-60Hz
Warranty (Years):	2
Units per box:	6
Net Weight (Kg):	0.82
EAN:	8435111073599,00



### MATERIALS / FINISHES

**Structure material:** Aluminium  
Steel

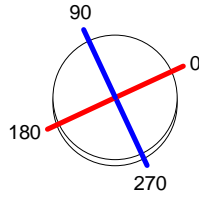
**Diffuser material:** Glass

**Structure finish:** Silver leaf

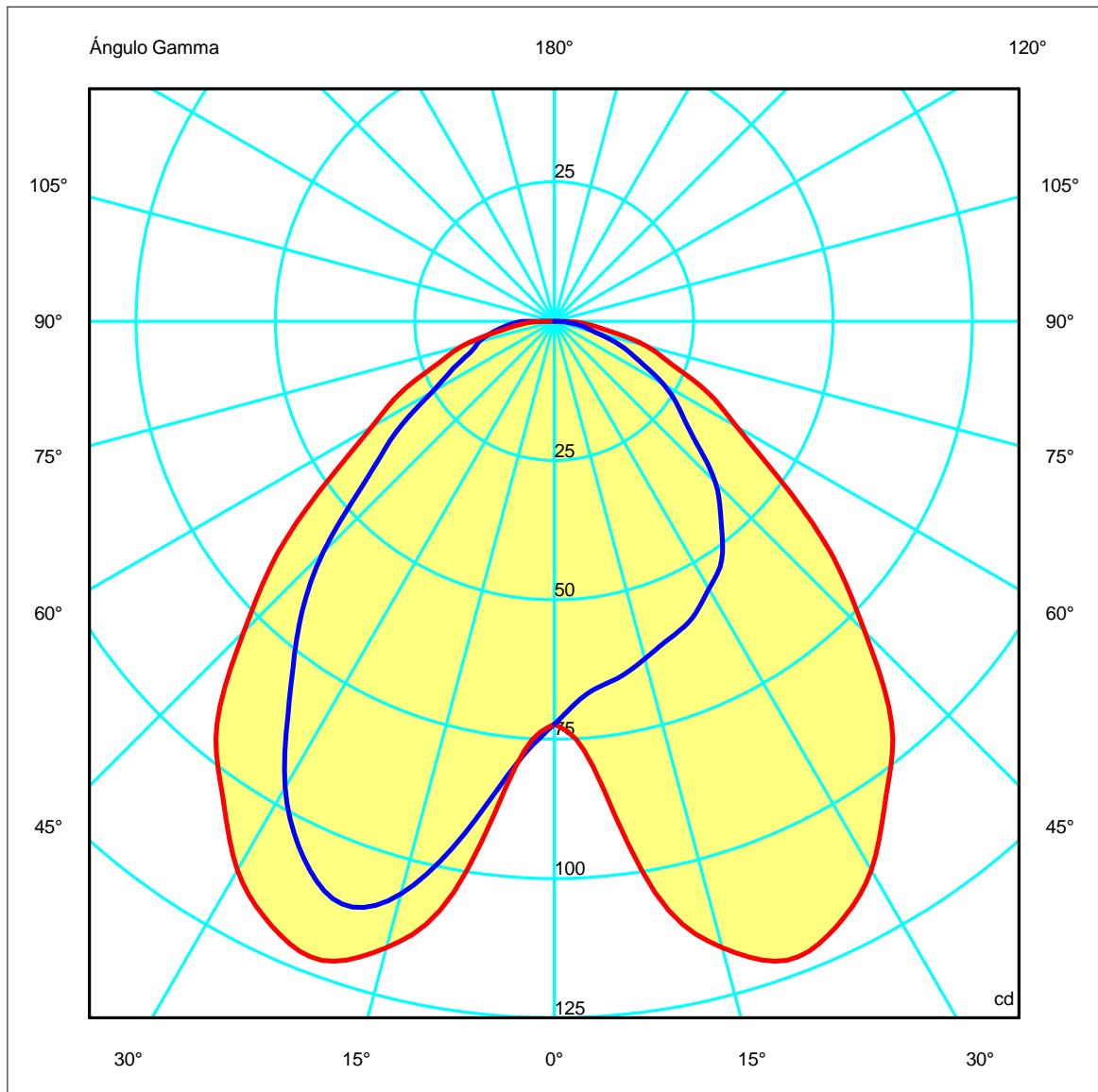
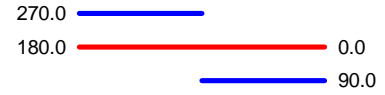
**Diffuser finish:** Tinted

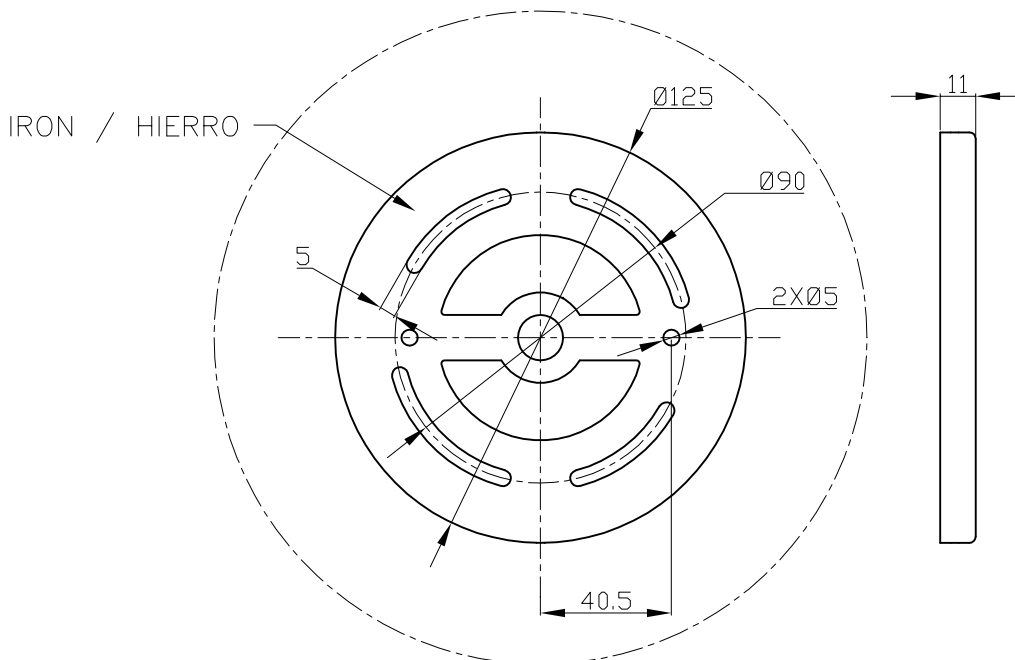
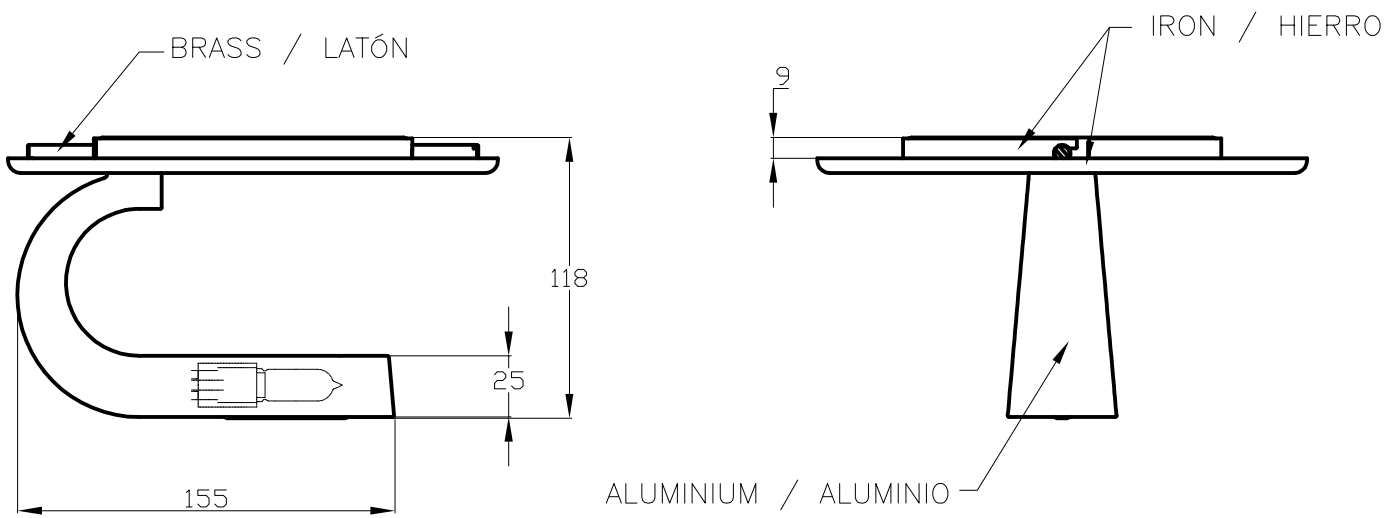
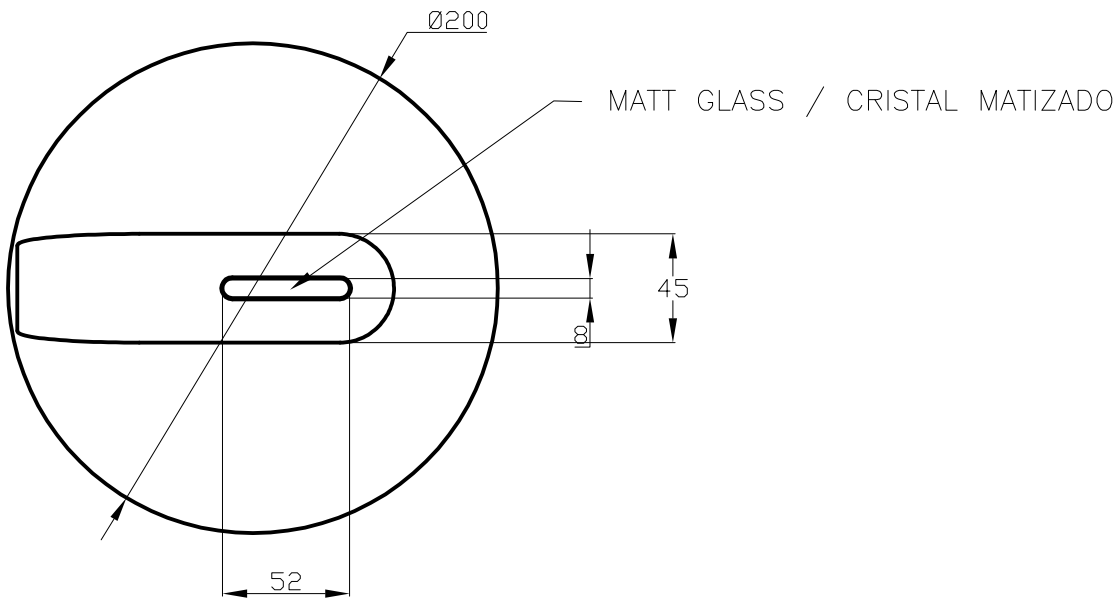
Luminaria		Ensayo		Lámpara	
Código	05-2870-D9-F1	Código	05-2870-D9-F1	Código	66675
Nombre	Aplique G9 75W	Nombre	Aplique G9 75W	Número	1
Familia	- LEDS-C4	Fecha	14-02-2010	Posición	Universal
Eficiencia	24.33%	Sist. de Coordin.	C-G	Flujo Total	1100.00 lm
Valor Máximo	121.98 cd	Posición	C=0.00 G=20.00	Sim. en los planos	270-90

Diam=200mm

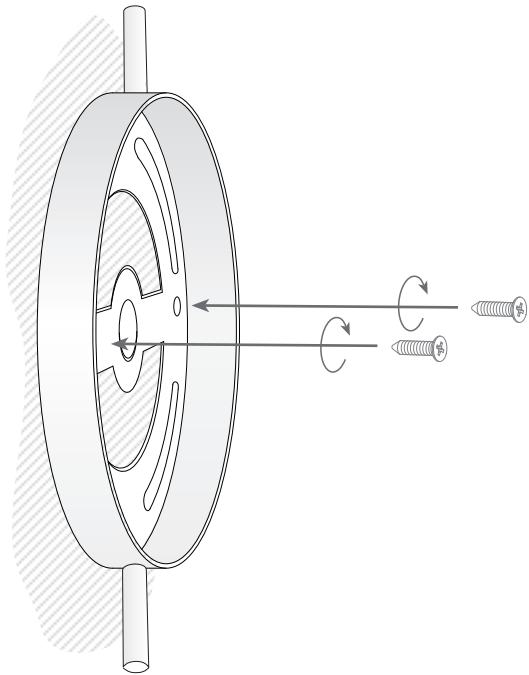


Semiplanos C

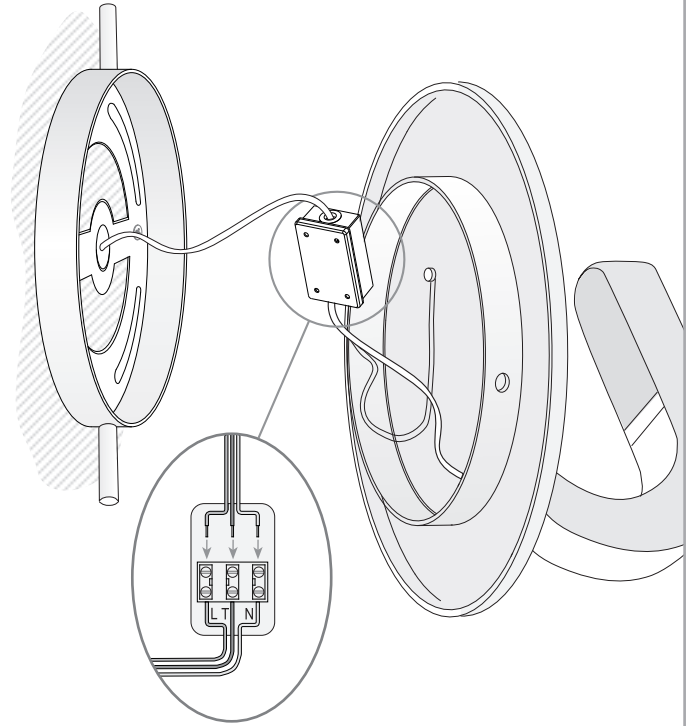




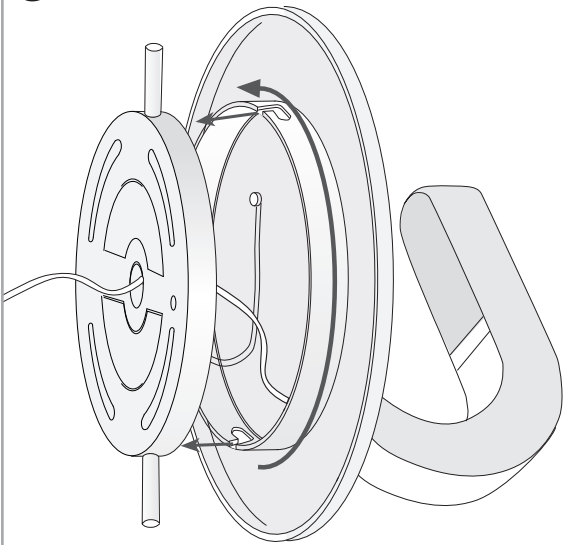
1



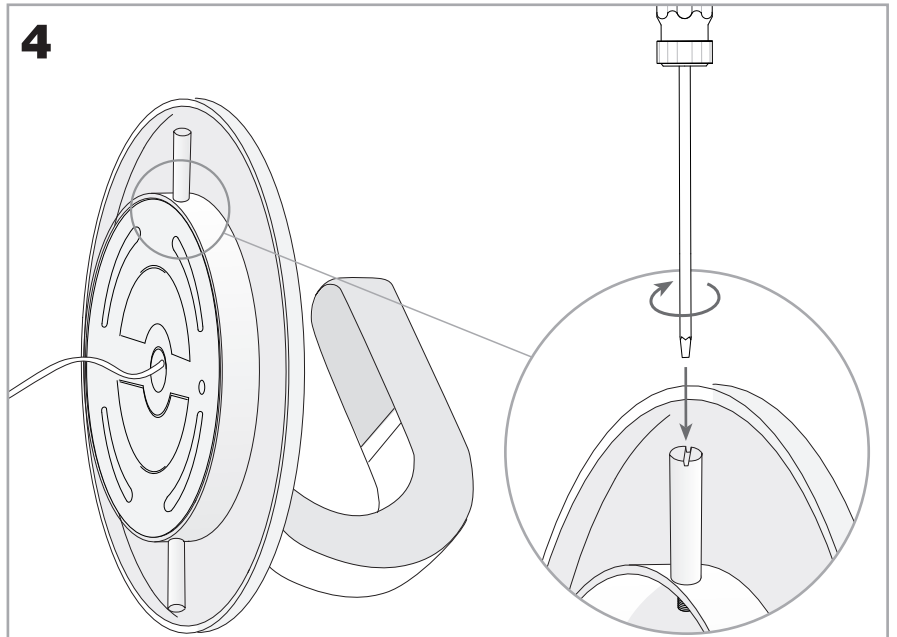
2



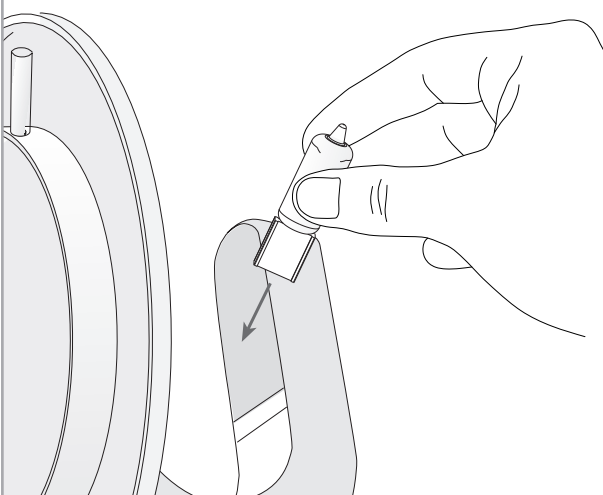
3



4



5



6

