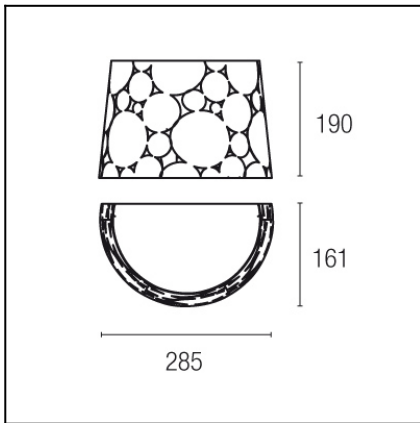


Design by Estudi Ribaudí



The photograph may not match the reference exactly. Please read the product description to identify the finish.



### TECHNICAL CHARACTERISTICS

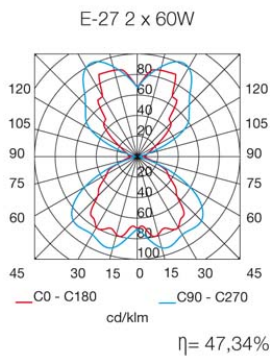
Type:	Wall fixture
IP Protection degrees:	IP20
Lampholder:	2 x E27
Power (W):	E27 MAX 60W
Total power consumption (W):	120
Voltage / Frequency:	220-240V/50-60Hz
Warranty (Years):	2
Units per box:	1
Net Weight (Kg):	1
EAN:	8435111073773,00



### MATERIALS / FINISHES

**Structure material:** Steel  
**Structure finish:** Matt black

**Diffuser material:** Acrylic  
**Diffuser finish:** White Opal

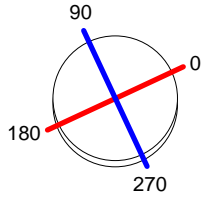


Download photometric file .ldt / .ies

<b>Luminaria</b>		<b>Ensayo</b>		<b>Lámpara</b>	
Código	05-4339-21-05	Código	05-4339-21-05	Código	PL ELEC14W/827 E27
Nombre	Apliche 14W fluor compact E27	Nombre	Apliche 14W fluor compact E27	Número	1
Familia	- LEDS-C4	Fecha	24-02-2010	Posición	Universal
Eficiencia	49.09%	Sist. de Coorden.	C-G	Flujo Total	900.00 lm
Valor Máximo	150.53 cd	Posición	C=90.00 G=15.00		Bisimétrico

Diam=220mm

Semiplanos C



180.0 ——— 0.0  
270.0 ——— 90.0

