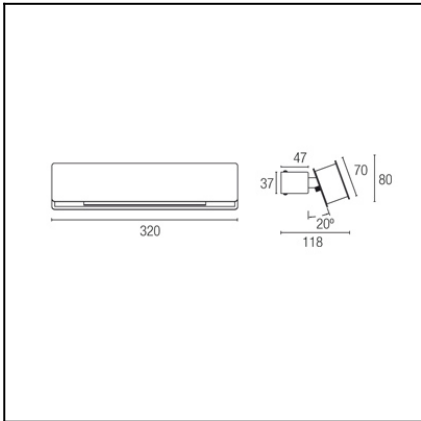


Design by Francesc Vilaró



The photograph may not match the reference exactly. Please read the product description to identify the finish.



### TECHNICAL CHARACTERISTICS

Type:	Wall fixture
IP Protection degrees:	IP44
Lampholder:	1 x 2G11
Power (W):	2G11 18
Voltage / Frequency:	220-240V/50-60Hz
Warranty (Years):	2
Units per box:	6
Net Weight (Kg):	1.535
EAN:	8435111080498,00



### MATERIALS / FINISHES

**Structure material:** Steel  
**Structure finish:** Chrome  
 Black

**Diffuser material:** Acrylic  
**Diffuser finish:** White

### GEAR

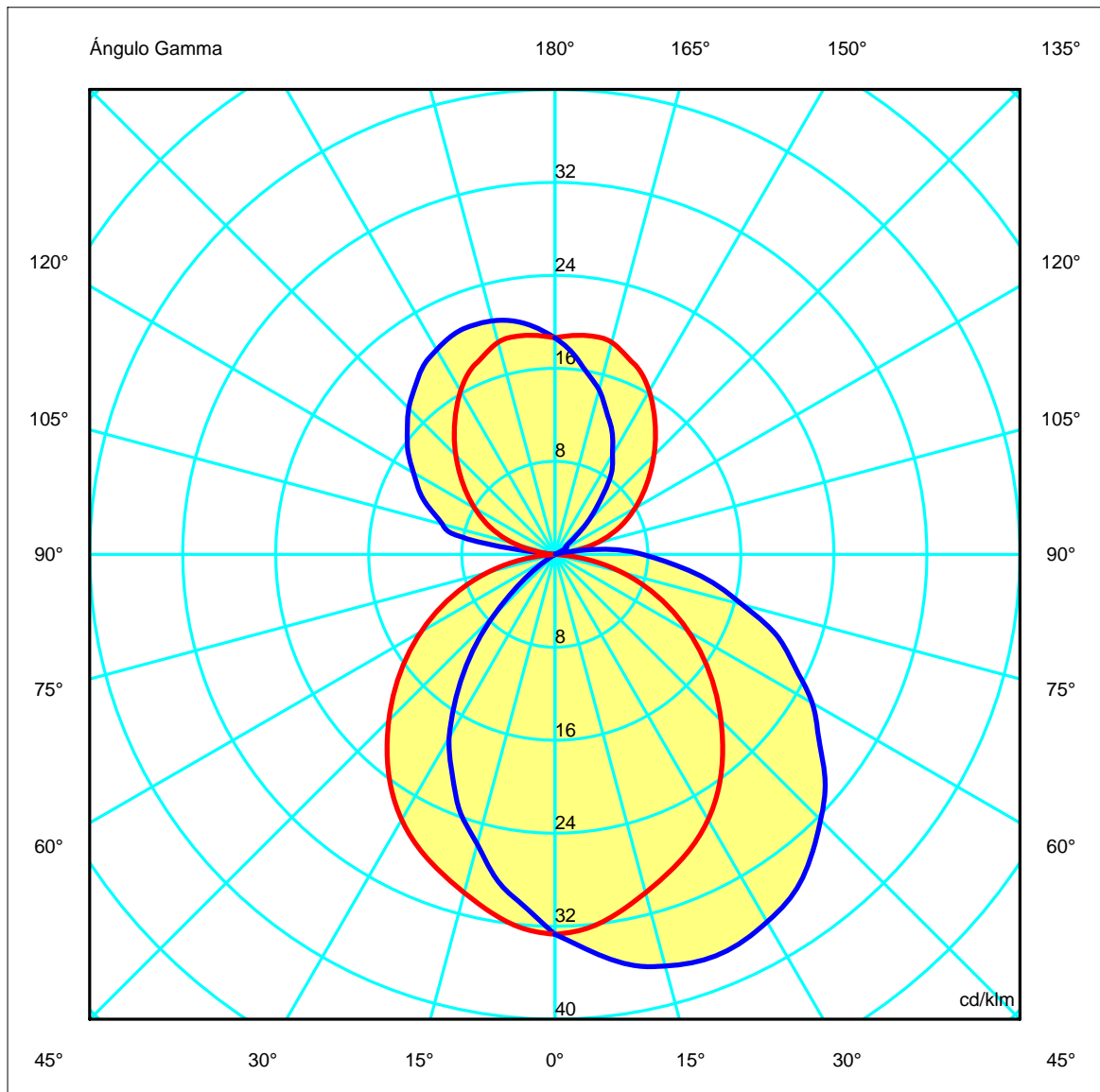
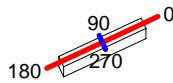
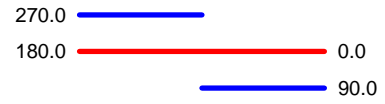
Gear included: Yes, electronic

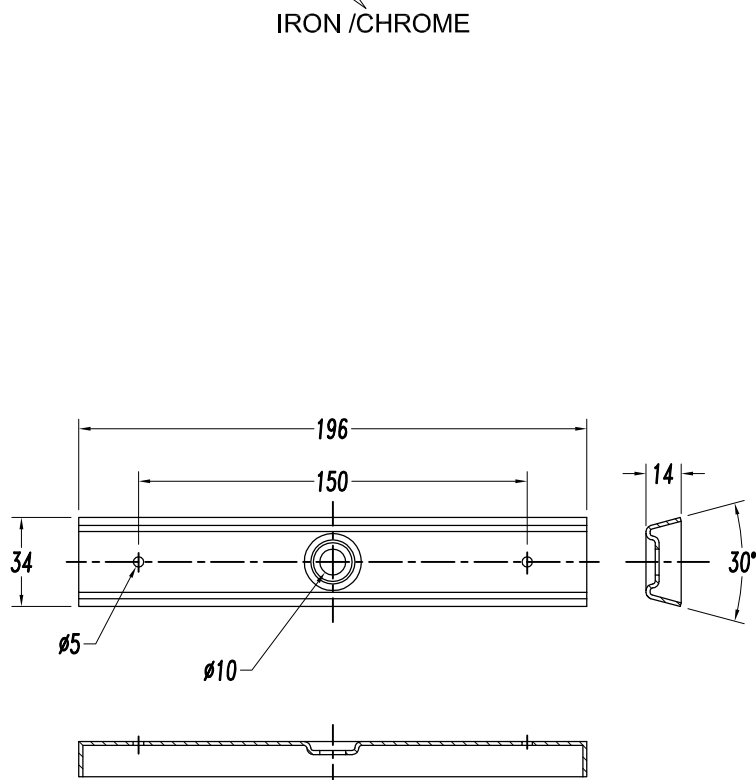
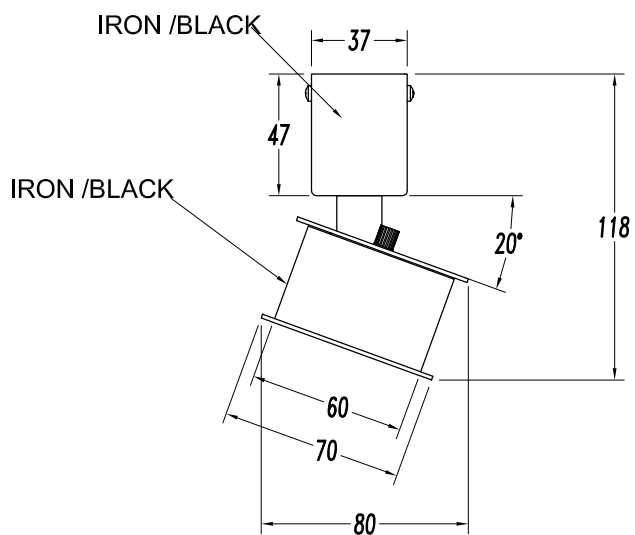
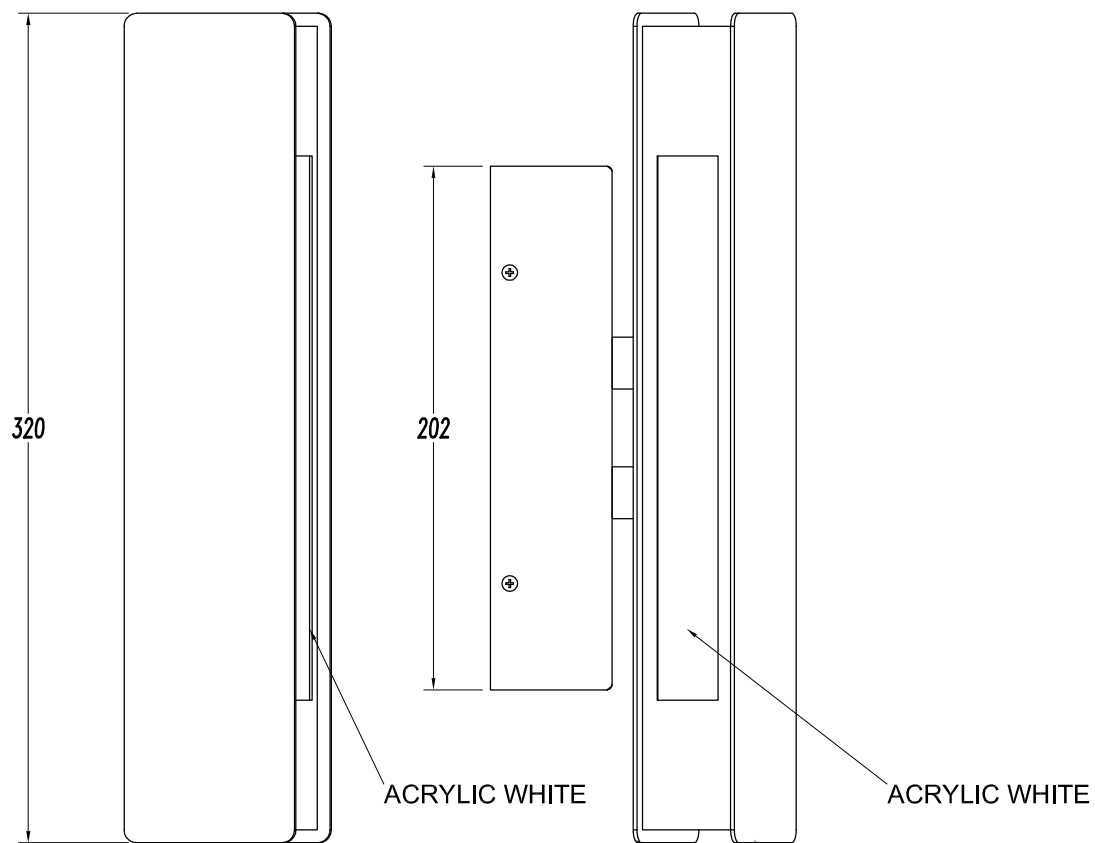
Download photometric file .ldt / .ies

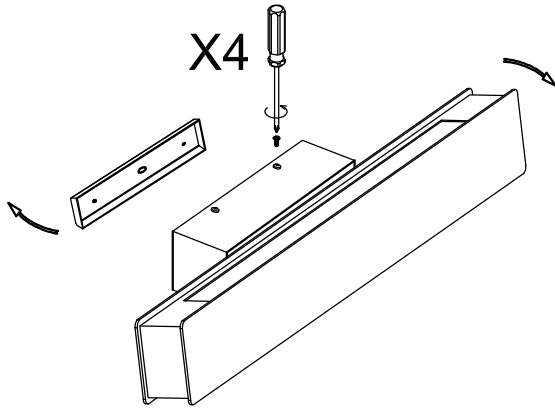
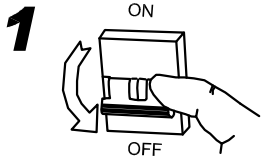
<b>Luminaria</b>		<b>Ensayo</b>		<b>Lámpara</b>	
Código	05-4361-21-05	Código	05-4361-21-05	Código	PL-L18W/840/4P
Nombre	Aplicado 1x18W 2G11 opal	Nombre	Aplicado 1x18W 2G11 opal	Número	1
Familia	- LEDS-C4	Fecha	10-11-2010	Posición	Universal
Eficiencia	14.71%	Sist. de Coorden.	C-G	Flujo Total	1200.00 lm
Valor Máximo	37.16 cd/klm	Posición	C=90.00 G=20.00	Sim. en los planos	270-90

40mm x 320mm

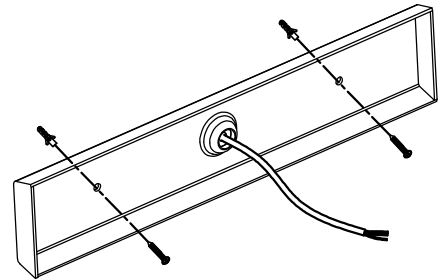
Semiplanos C



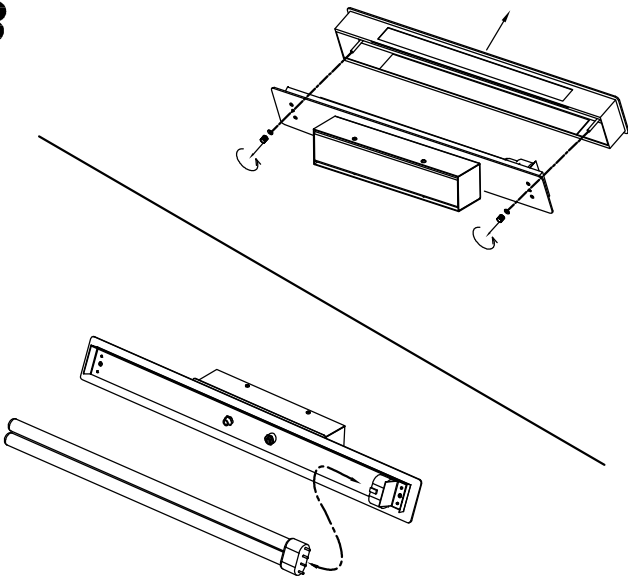




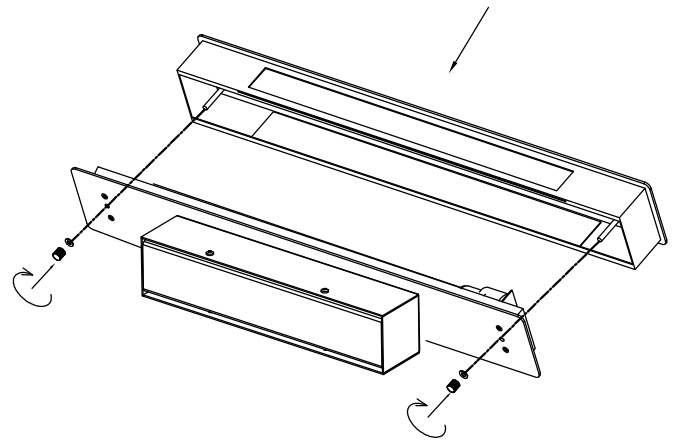
**2**



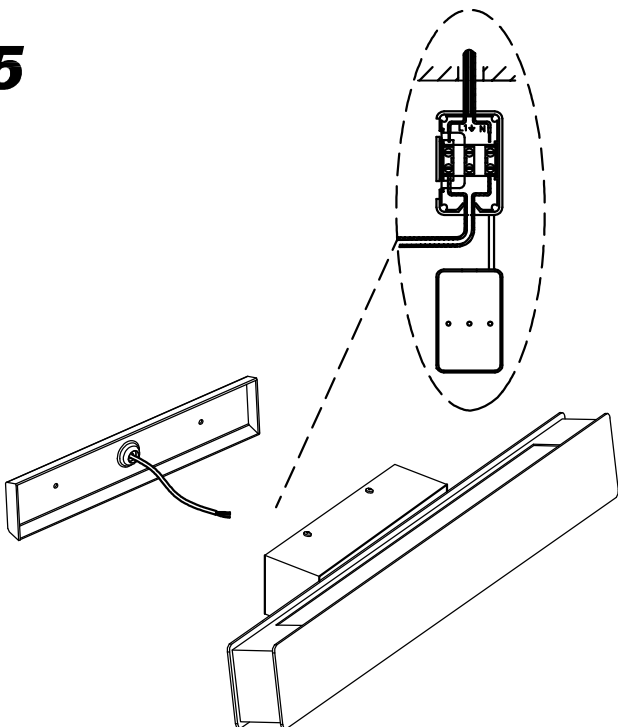
**3**



**4**



**5**



**6**

