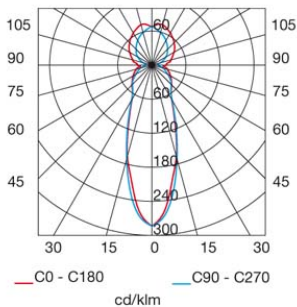
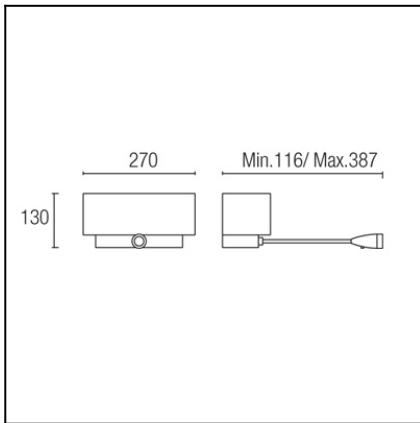


Design by Benedito Design



The photograph may not match the reference exactly. Please read the product description to identify the finish.

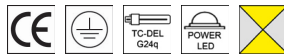


$\eta = 43,69\%$

Download photometric file .ldt / .ies

TECHNICAL CHARACTERISTICS

Type:	Wall fixture
Adjustable 360° on the vertical axis.	
IP Protection degrees:	IP20
Lampholder:	1 x G24q2 1 x LED Cree. Warm White - 3000K
Power (W):	G24q2 18W 2.4W
Total power consumption (W):	19
Voltage / Frequency:	220-240V/50-60Hz
Warranty (Years):	2
Option to extend the guarantee:	Yes, 5 years
Units per box:	12
Net Weight (Kg):	1.02
EAN:	8435111080139,00



MATERIALS / FINISHES

Structure material:	Steel Aluminium	Diffuser material:	Fabric shade Acrylic
Structure finish:	White Satin nickel	Diffuser finish:	Beige Matt

GEAR

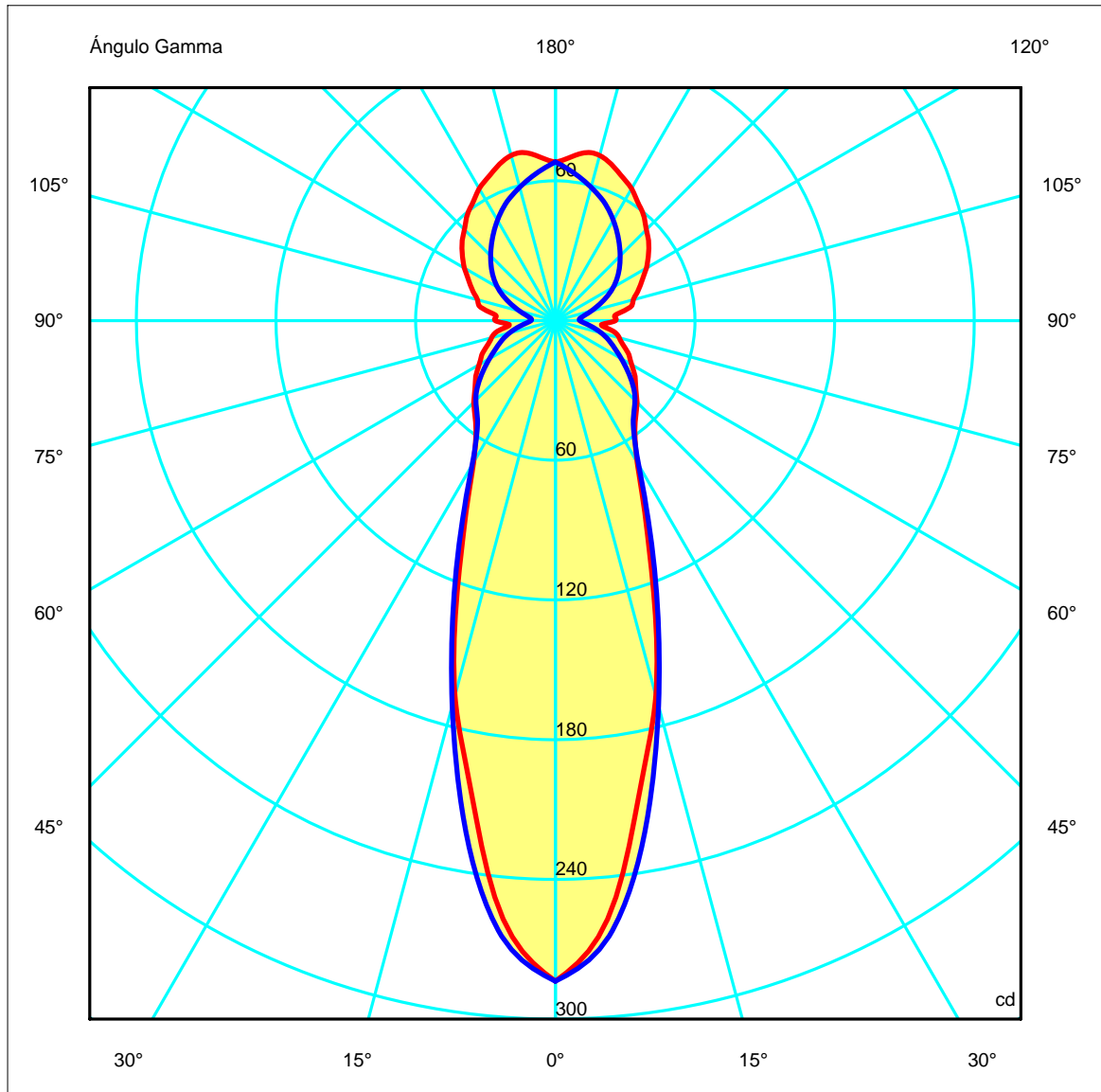
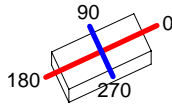
Gear included: Yes, electronic

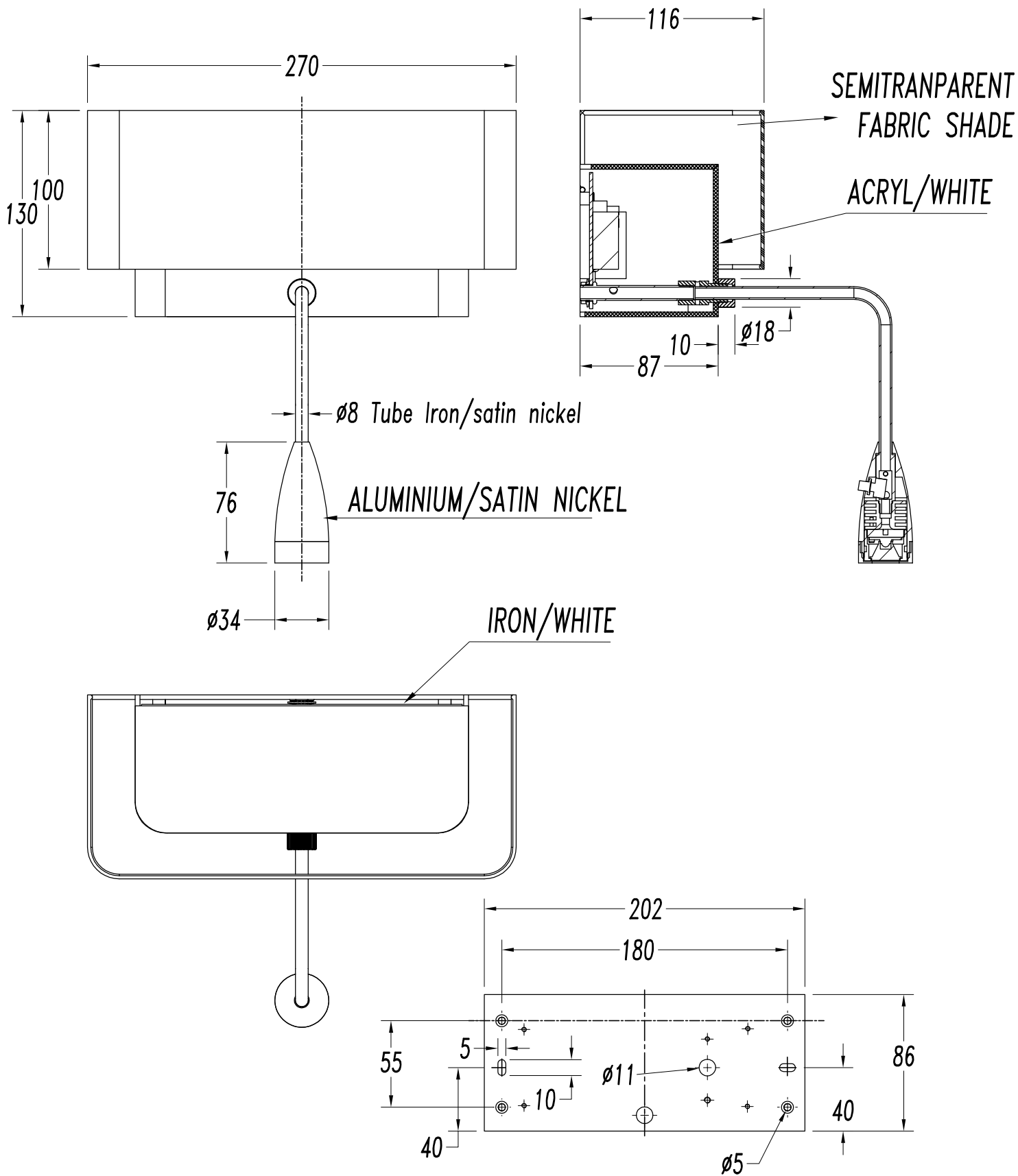
Luminaria		Ensayo		Lámpara	
Código	05-4363-81-M1	Código	05-4363-81-M1	Código	PL-C18W/840/4P
Nombre	Aplicado 18W G24q-2 led opal	Nombre	Aplicado 18W G24q-2 + led opal	Número	2
Familia	- LEDS-C4	Fecha	10-09-2010	Posición	Universal
Eficiencia	43.69%	Sist. de Coorden.	C-G	Flujo Total	1292.40 lm
Valor Máximo	283.69 cd	Posición	C=0.00 G=0.00	Bisimétrico	

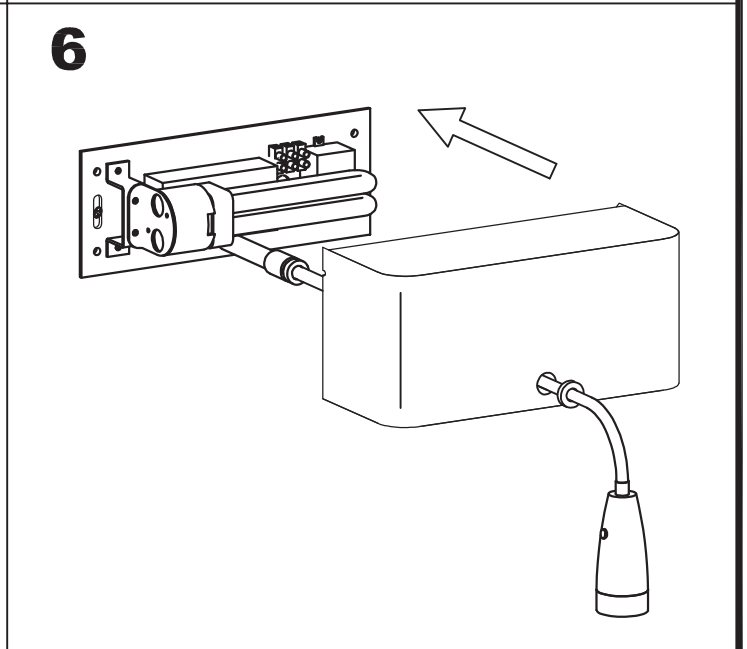
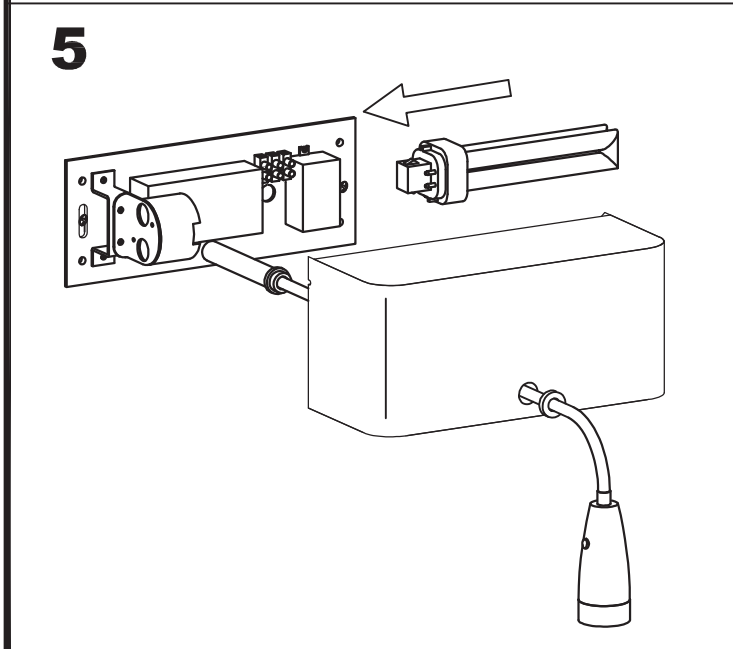
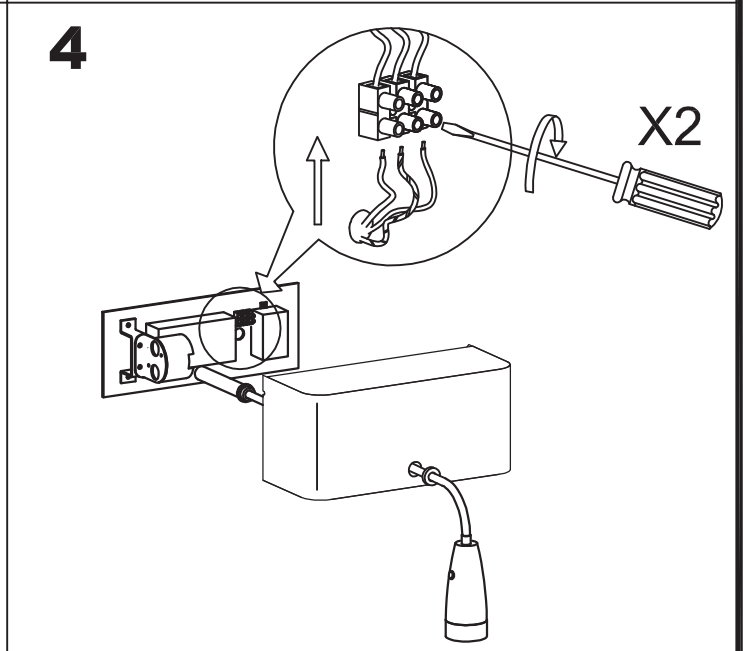
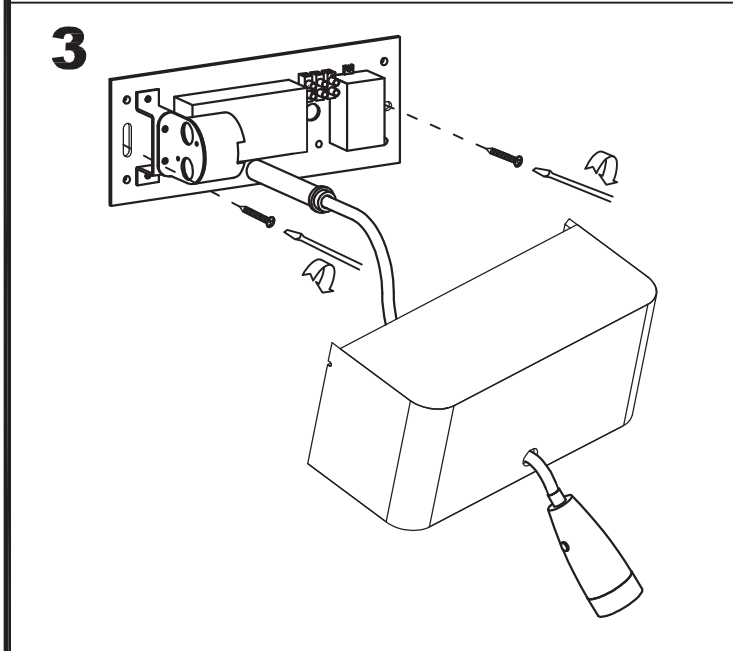
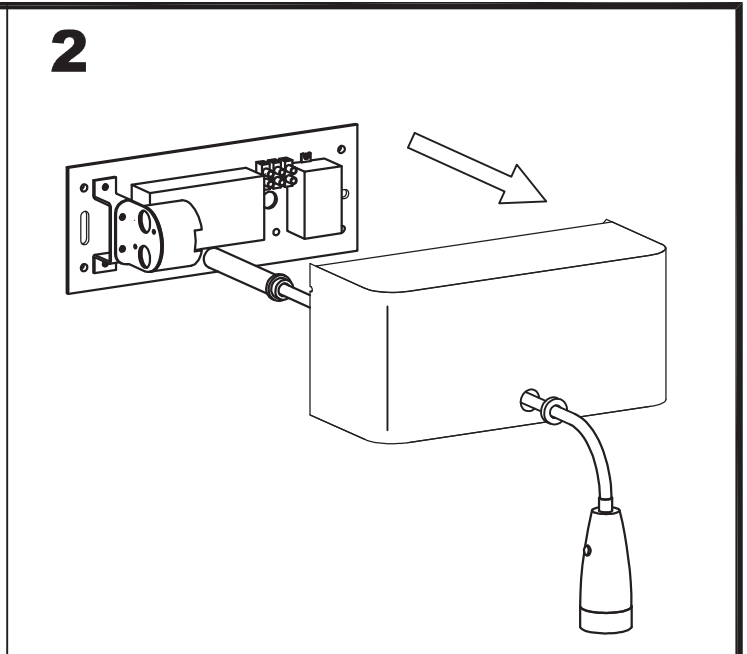
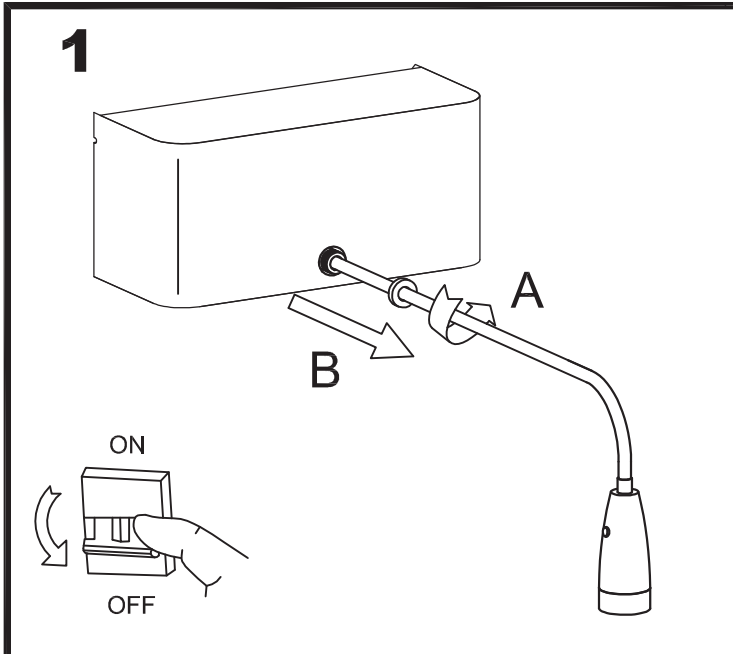
120mm x 265mm

Semiplanos C

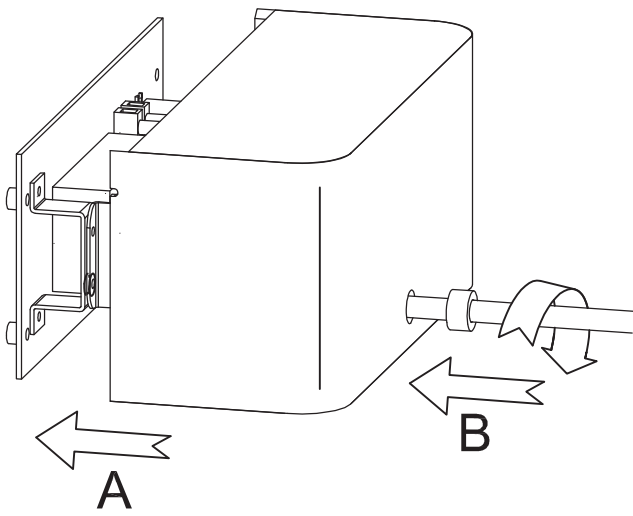
180.0 ————— 0.0
 270.0 ————— 90.0



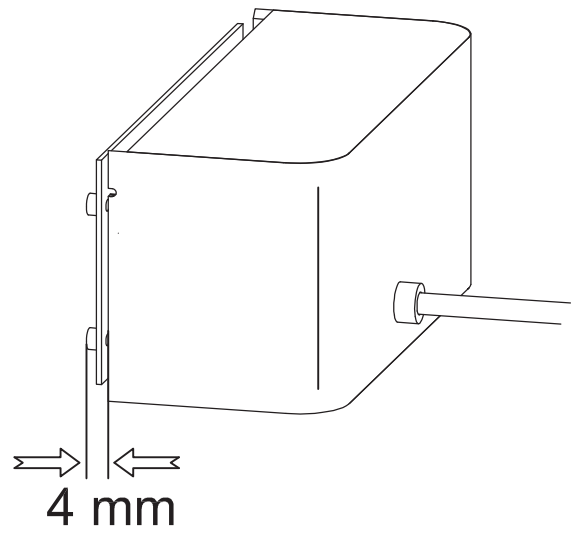




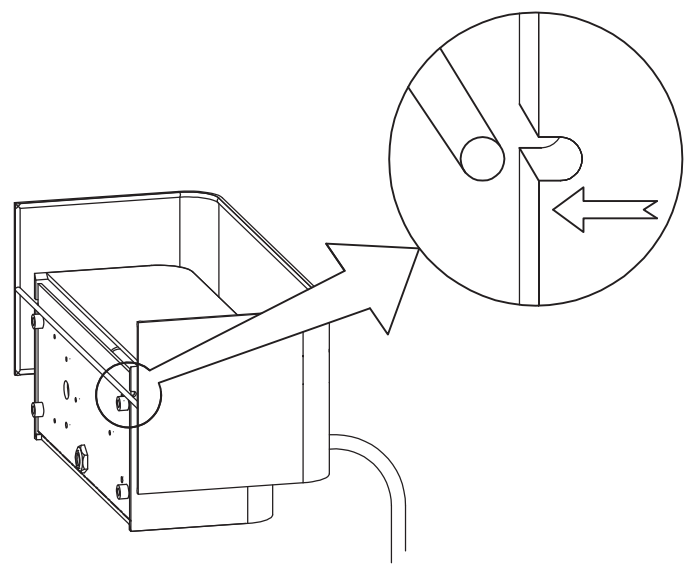
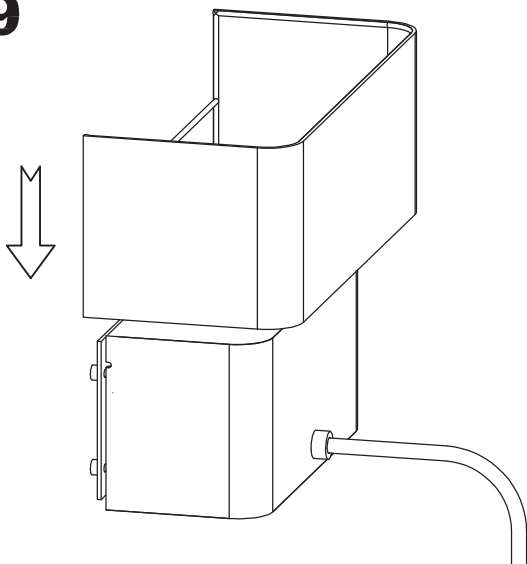
7



8



9



10

