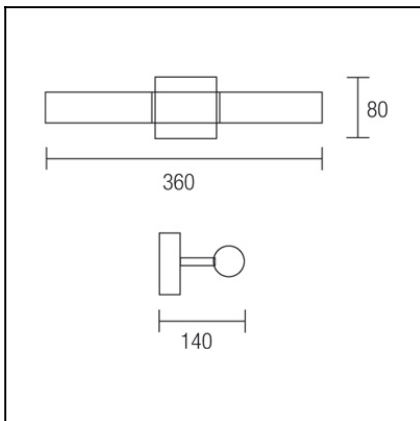




The photograph may not match the reference exactly. Please read the product description to identify the finish.



TECHNICAL CHARACTERISTICS

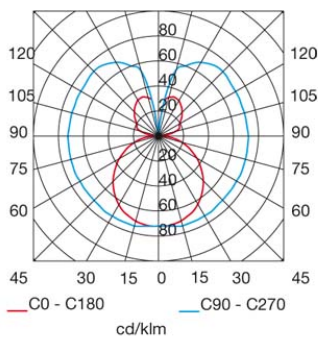
Type:	Wall fixture
IP Protection degrees:	IP44
Lampholder:	2 x G9
Power (W):	G9 MAX 40W
Bulb included:	2 x G9 MAX 40W
Total power consumption (W):	80
Voltage / Frequency:	220-240V/50-60Hz
Warranty (Years):	2
Units per box:	8
Net Weight (Kg):	0.65
EAN:	8435111079904,00



MATERIALS / FINISHES

Structure material: Steel
Structure finish: Chrome

Diffuser material: Glass
Diffuser finish: Opal



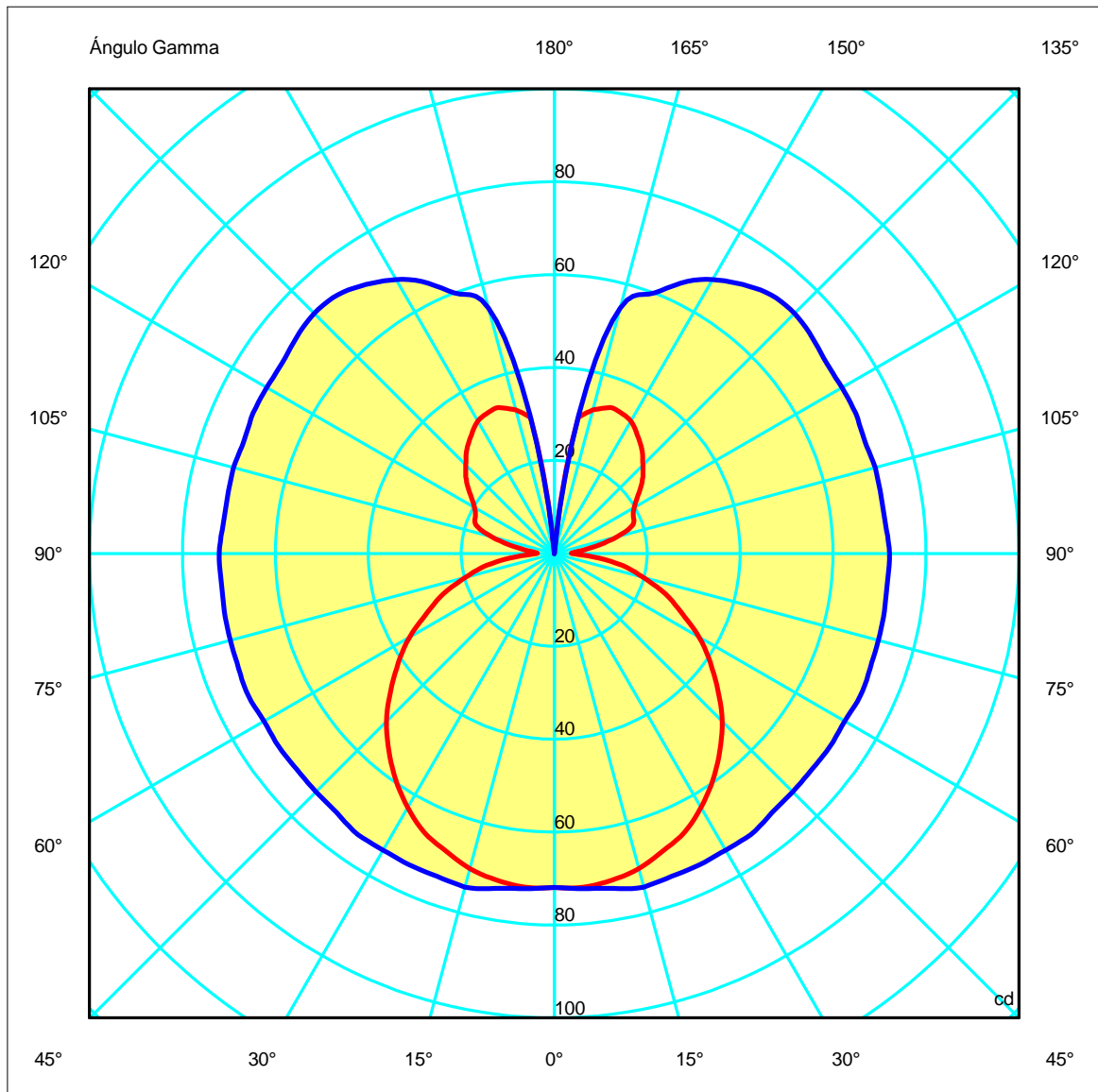
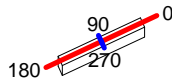
Download photometric file .ldt / .ies

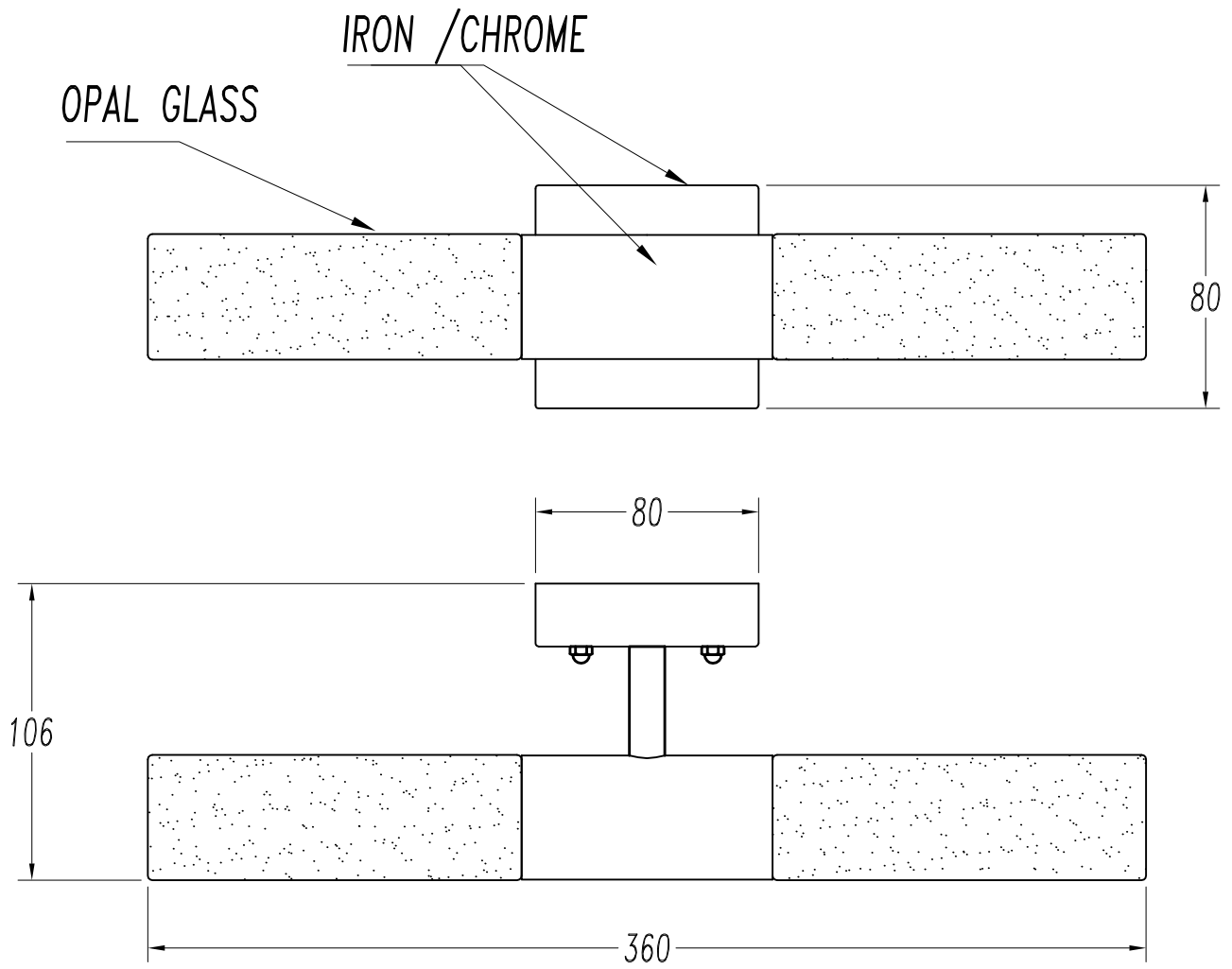
Luminaria		Ensayo		Lámpara	
Código 323-CR		Código 323-CR		Código 65940	
Nombre Aplique 2x40W G9 difusor opal		Nombre Aplique 2x40W G9 difusor opal		Número 2	
Familia - LEDS-C4		Fecha 10-03-2010		Posición	
Eficiencia	78.31%	Sist. de Coorden.	C-G	Flujo Total	840.00 lm
Valor Máximo	74.51 cd	Posición	C=75.00 G=20.00	Bisimétrico	

40mm x 360mm

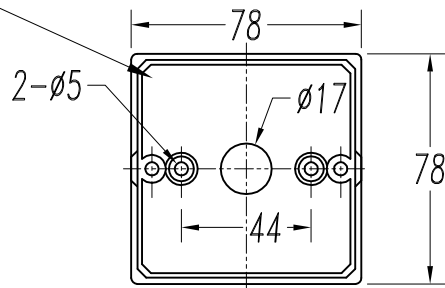
Semiplanos C

 180.0  0.0

 270.0  90.0


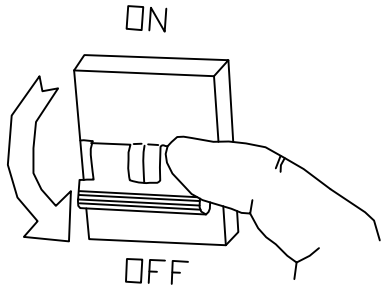


PALSTIC BLACK

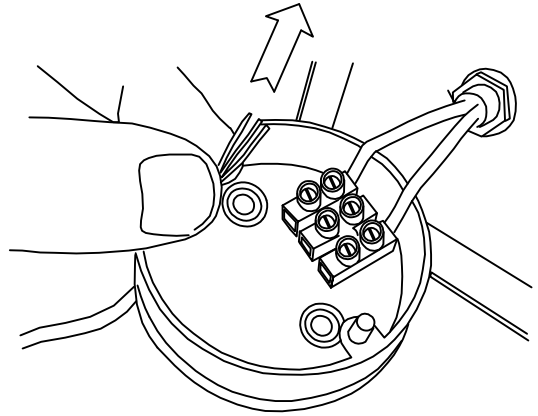




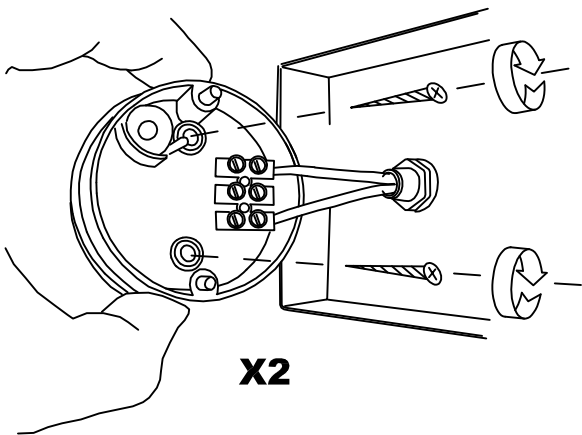
1



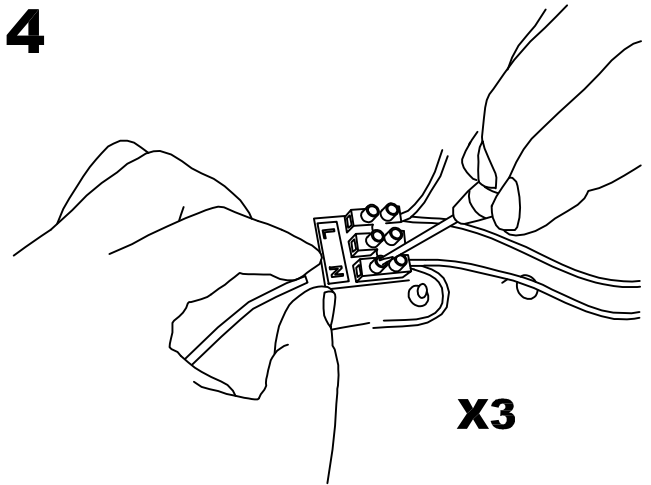
2



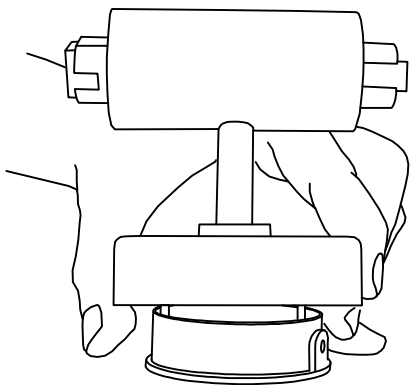
3



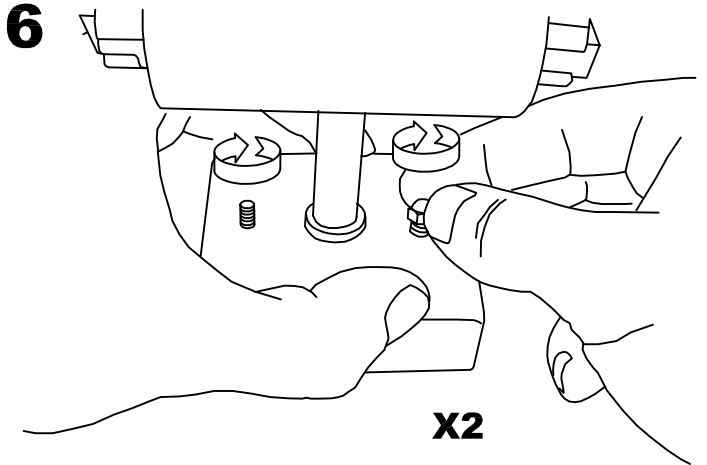
4



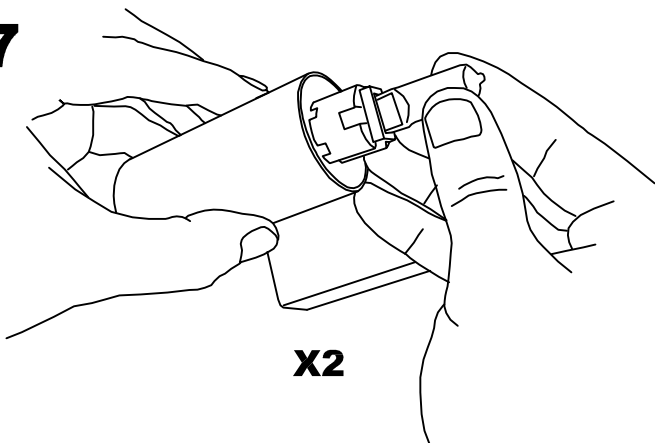
5



6



7



8

