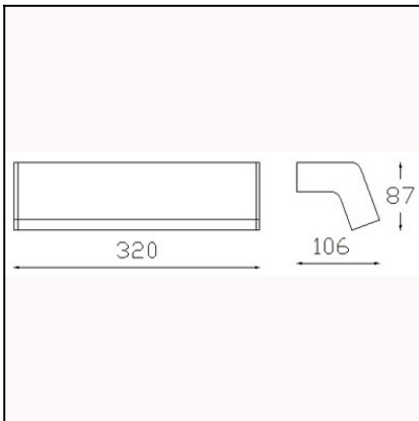


Design by Nahtrang Design



The photograph may not match the reference exactly. Please read the product description to identify the finish.



TECHNICAL CHARACTERISTICS

Type:	Wall fixture
IP Protection degrees:	IP44
Lampholder:	2 x G5
Power (W):	G5 8
Voltage / Frequency:	220-240V/50-60Hz
Warranty (Years):	2
Units per box:	8
Net Weight (Kg):	0.76
EAN:	8435111089842,00



MATERIALS / FINISHES

Structure material: Extruded aluminium
Structure finish: Chrome

Diffuser material: Polycarbonate
Diffuser finish: Matt opal

GEAR

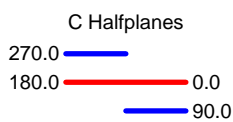
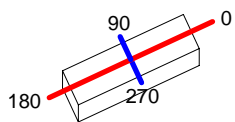
Gear included: Yes, electronic

[Download photometric file .ldt / .ies](#)

Luminaire		Measur.		Lamp		
Code	05-4698-21-M1	Code	05-4699-21-M1	Code	TL Mini 8W/33	
Name	Aplique CONCEPT 2x8W T5	Name	Aplique 2x14W T5 dif. acritico	Number	2	
Line	- LEDS-C4	Date	25-06-2013	Position	Universal	
Efficiency	41.55%	Coordinate system	CG	Total Flux	820.00 lm	
Maximum value	63.51 cd	Position	C=0.00 G=0.00	Sym. on planes	270-90	
Rectangular Luminaire	Length	90 mm	Width	320 mm	Height	105 mm
Rectangular Luminous Area	Length	70 mm	Width	310 mm	Height	45 mm
Horizontal Luminous Area	0.021700 m2	Emitting area on Plane 180°	0.003150 m2			
Emitting area on Plane 0°	0.003150 m2	Emitting area on Plane 270°	0.013950 m2			
Emitting area on Plane 90°	0.013950 m2	Glare area at 76°	0.008306 m2			
Symmetry Type	Sym. on planes 270-90	Maximum Gamma Angle	180			
Measurement Distance	6.44	Measurement Flux	2400.00 lm			
Operator	Asselum T2	Source voltage	230.00 V			
Temperature	23.00 °C	Source current	PRC			
Humidity	54.00 %	Photocell				
Notes						

Luminaire Lamps					
Line	Code	Name	Flux [lm]	Pow. [W]	Q.ty
PHILIPS 2005 ILCOS FD,FC	TL Mini 8W/33	TL MINI 8W/33 G5	410.00	8.00	2
C.I.E.	37 65 85 70 42	D DIN 5040	B21		
F UTE	0.29 H + 0.13 T	B NBN	BZ 6		

90mm x 320mm



ULOR	12.56 %
DLOR	28.99 %
RN	30.23 %

