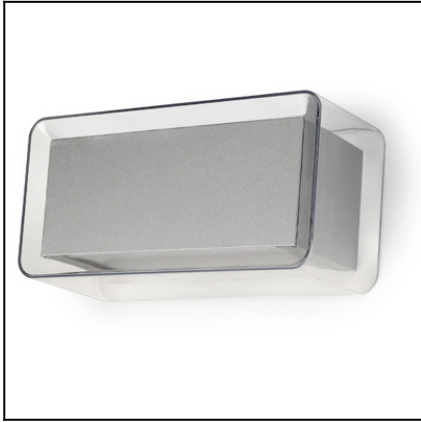
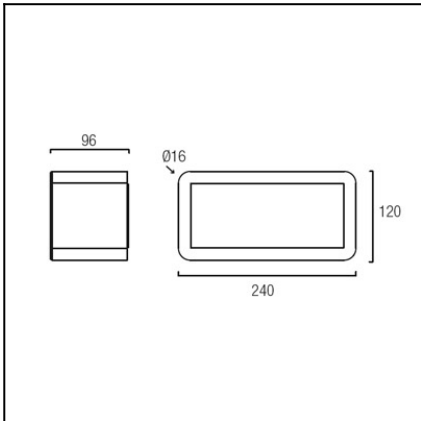


LED BOX

05-4717-03-M2



The photograph may not match the reference exactly. Please read the product description to identify the finish.



Download photometric file .ldt / .ies

TECHNICAL CHARACTERISTICS

Type:	Wall fixture
IP Protection degrees:	IP20
Voltage / Frequency:	220-240V/50-60Hz
Warranty (Years):	2
Units per box:	8
Net Weight (Kg):	0.985
EAN:	8435381400699,00



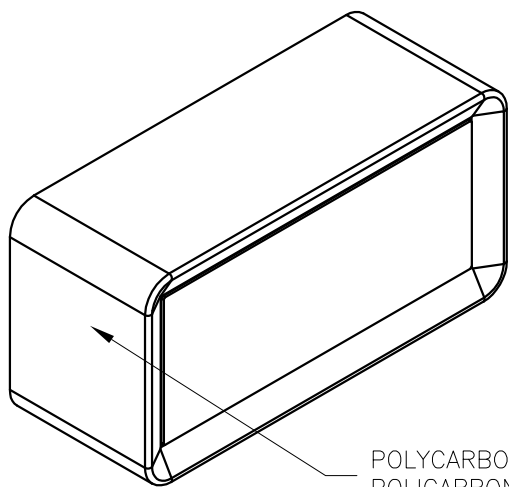
MATERIALS / FINISHES

Structure material: Aluminium
Steel

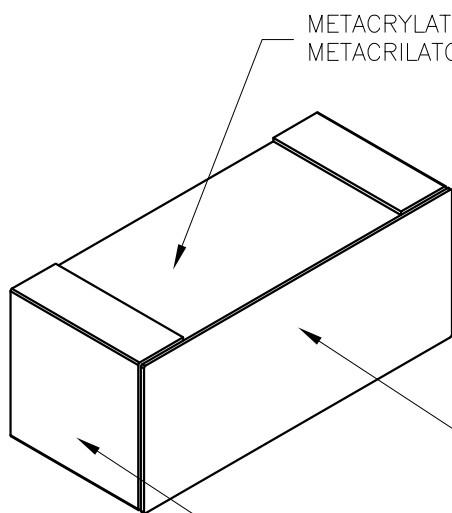
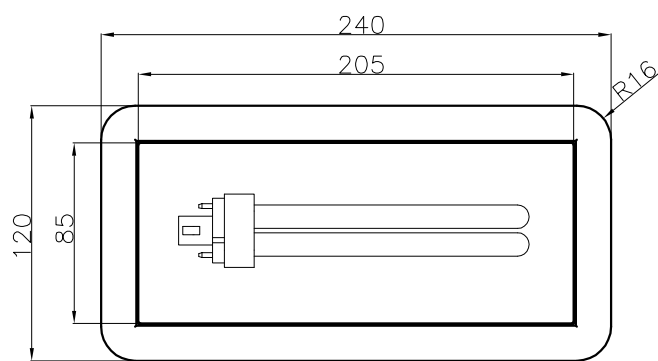
Diffuser material: Polycarbonate

Structure finish: Metallic grey

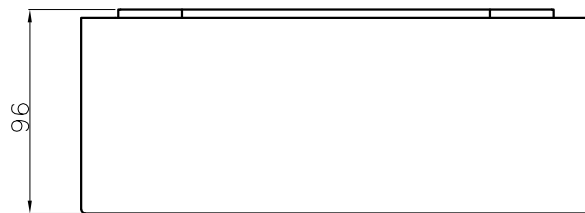
Diffuser finish: Transparent



POLYCARBONATE/
POLICARBONATO

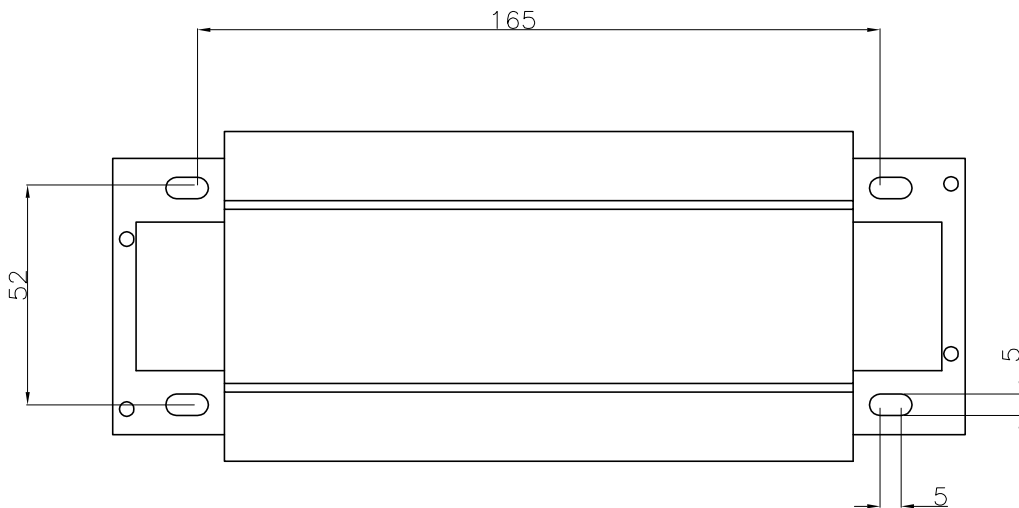


METACRYLATE/
METACRILATO

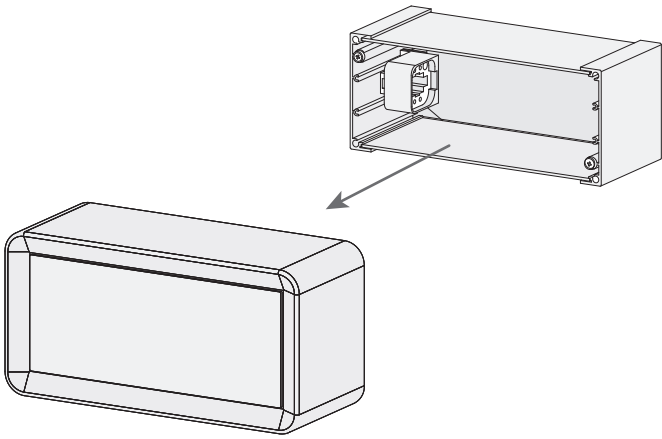


IRON / HIERRO

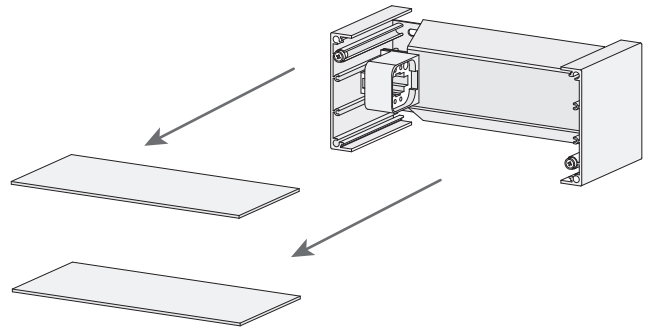
ALUMINIUM/
ALUMINIO



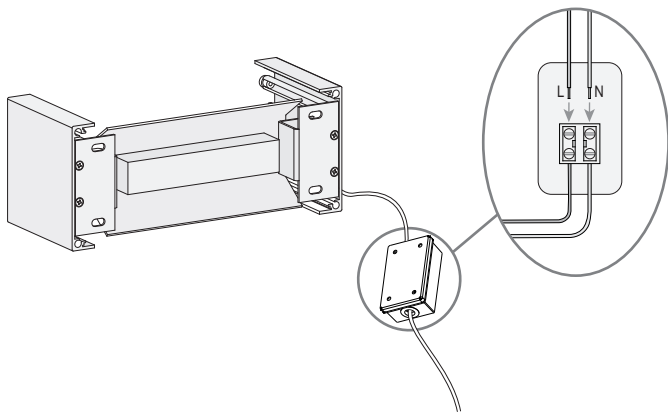
1



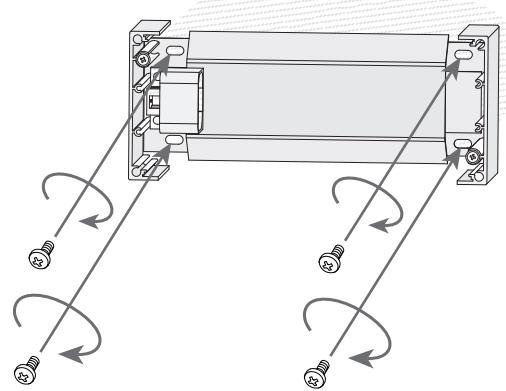
2



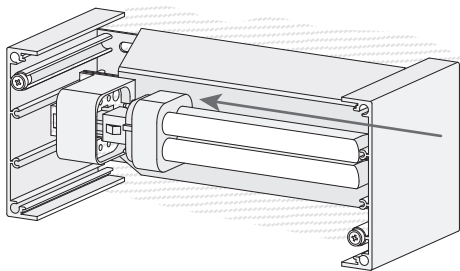
3



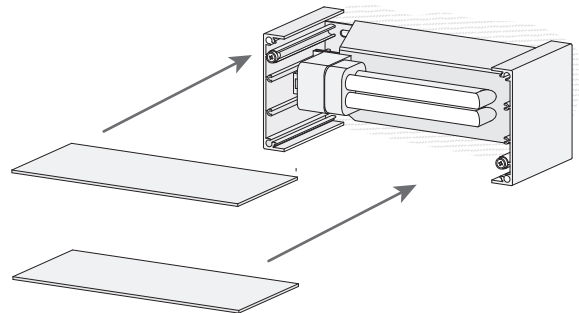
4



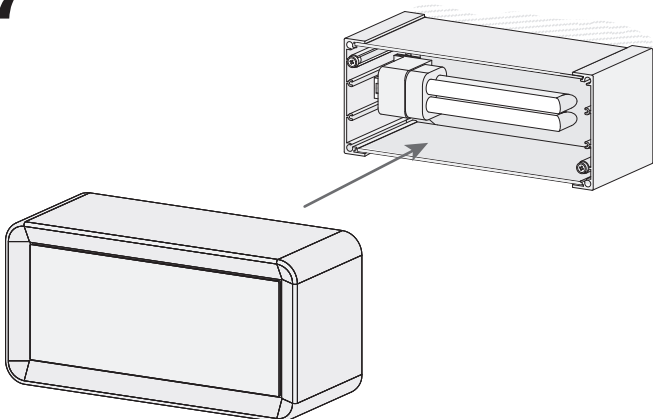
5



6



7



8

