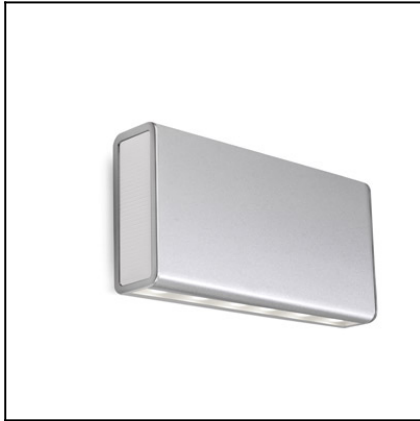
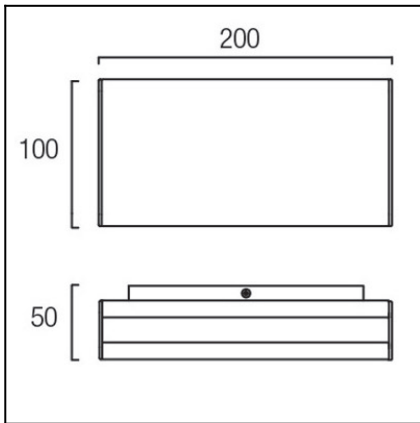


**Design by Nahtrang Design**


The photograph may not match the reference exactly. Please read the product description to identify the finish.



Download photometric file .ldt / .ies

**TECHNICAL CHARACTERISTICS**

Type:	Wall fixture
IP Protection degrees:	IP20
Bulb:	12 x LED Cree. Warm White - 3000K
Power (W):	12x1W
Total power consumption (W):	18.5
Luminous efficacy (Lm/W):	107
CRI:	80
Voltage / Frequency:	100-240V/50-60Hz
Warranty (Years):	2
Option to extend the guarantee:	Yes, 5 years
Units per box:	7
Net Weight (Kg):	0.68
EAN:	8435111090862,00


**MATERIALS / FINISHES**

**Structure material:** Aluminium  
Steel

**Diffuser material:** Polystyrene

**Structure finish:** Metallic grey

**Diffuser finish:** Tinted

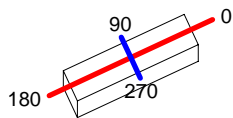
**GEAR**

Multi-voltage electronic gear included (110-240 V / 50-60 Hz)

<b>Luminaire</b>		<b>Measur.</b>		<b>Lamp</b>		
Code	05-4719-AH-M3	Code	05-4719-AH-M3	Code	05-4719-AH-M3	
Name	Aplique LINE leds 12x1W	Name	Aplique LINE 12 leds x 1W	Number	1	
Line	- LEDS C4 LEDS	Date	14-03-2013	Position	Universal	
Efficiency	100.00%	Coordinate system	CG	Total Flux	302.83 lm	
Maximum value	69.90 cd	Position	C=90.00 G=10.00	Asymmetrical		
Rectangular Luminaire	Length	50 mm	Width	200 mm	Height	100 mm
Rectangular Luminous Area	Length	16 mm	Width	195 mm	Height	100 mm
Horizontal Luminous Area	0.003120 m2	Emitting area on Plane 180°		0.001600 m2		
Emitting area on Plane 0°	0.001600 m2	Emitting area on Plane 270°		0.019500 m2		
Emitting area on Plane 90°	0.019500 m2	Glare area at 76°		0.002307 m2		
Symmetry Type	Asymmetrical	Maximum Gamma Angle		180		
Measurement Distance	6.44	Measurement Flux		302.83 lm		
Operator	Asselum T2	Source voltage		230.00 V		
Temperature	20.00 °C	Source current		PRC		
Humidity	49.00 %	Photocell				
Notes						

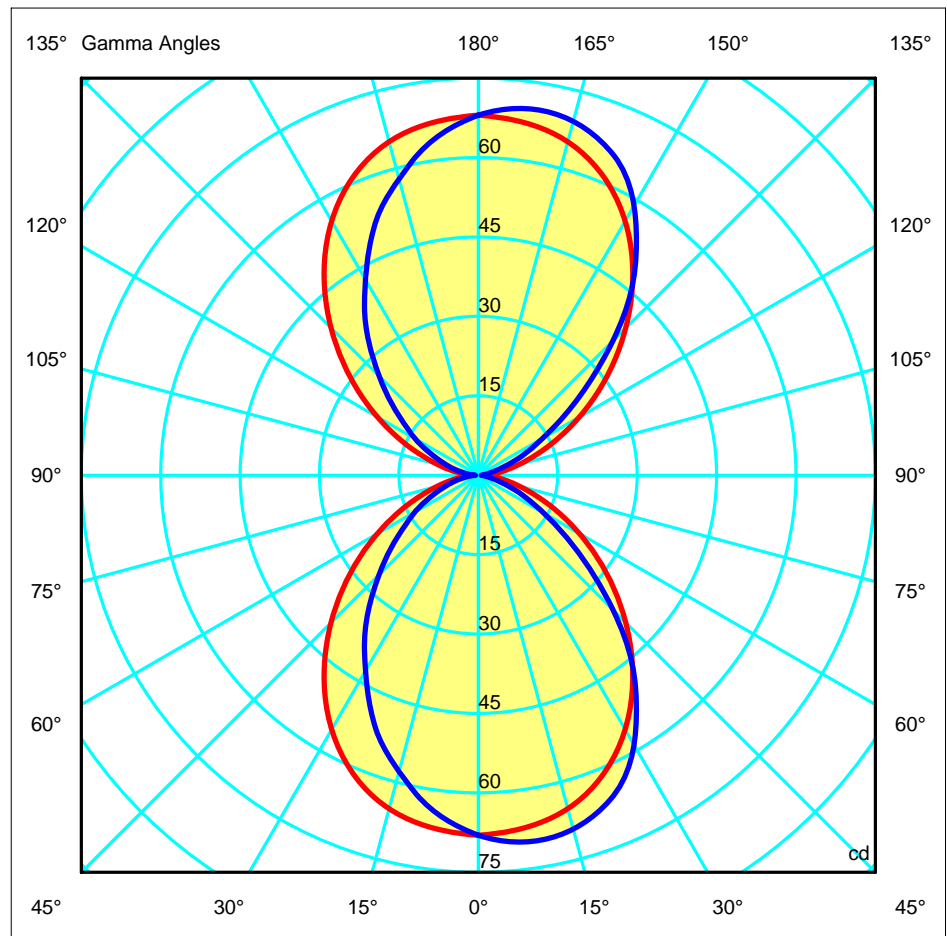
Luminaire Lamps						
Line	Code	Name	Flux [lm]	Pow. [W]	Q.ty	
- LEDS C4 LEDS	05-4719-AH-M3	Lámpara led blanco cálido12x1W	302.83	12.00	1	
C.I.E.	56 85 97 50 100	D DIN 5040	C41			
F UTE	0.50 D + 0.50 T	B NBN	BZ 3 / 2.5 / BZ 4			

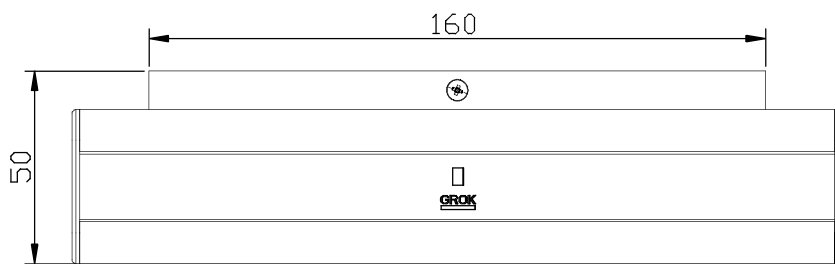
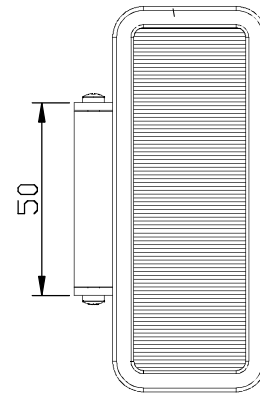
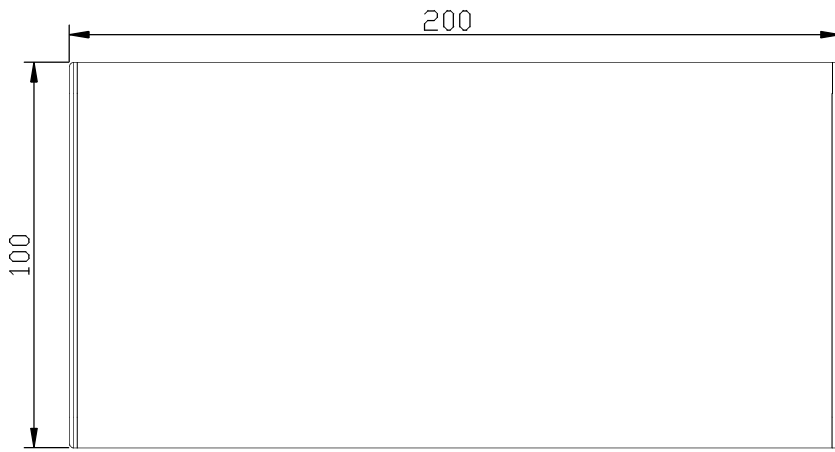
50mm x 200mm



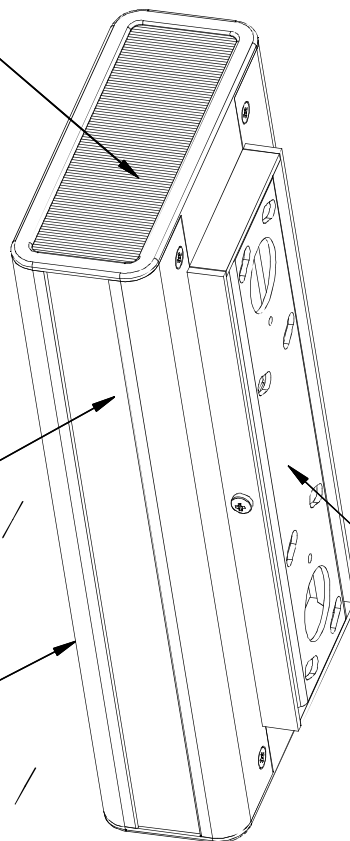
C Halfplanes  
 180.0 — 0.0  
 270.0 — 90.0

ULOR 50.00 %  
 DLOR 50.00 %  
 RN 50.00 %



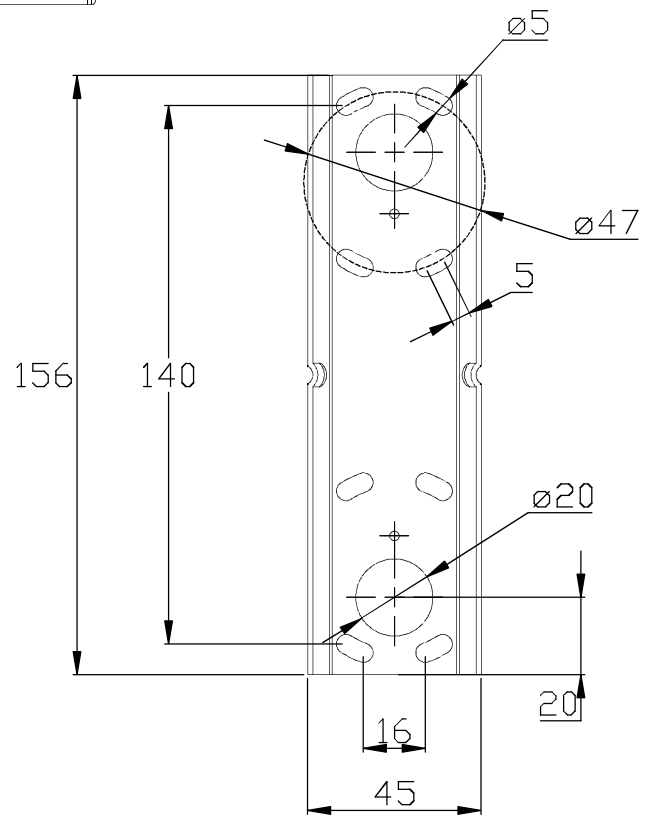


aluminum (white/grey) /  
aluminio (blanco/gris)



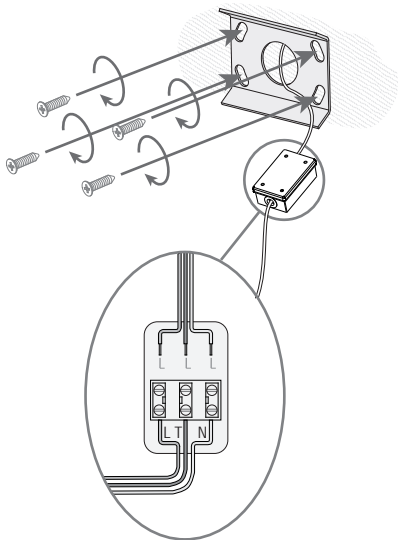
polystyrene (frosted) /  
poliestireno (arenado)

aluminum (grey) /  
aluminio (gris)

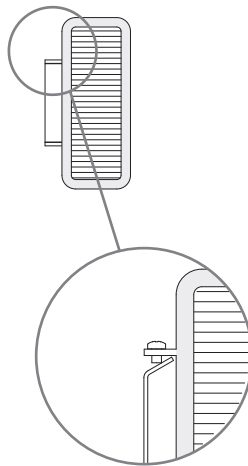


iron (grey) /  
acero (gris)

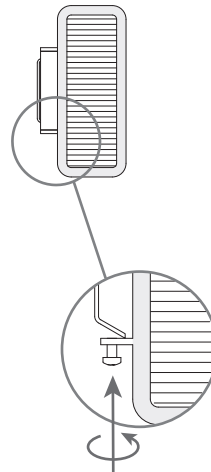
**1**



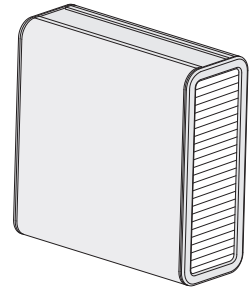
**2A**



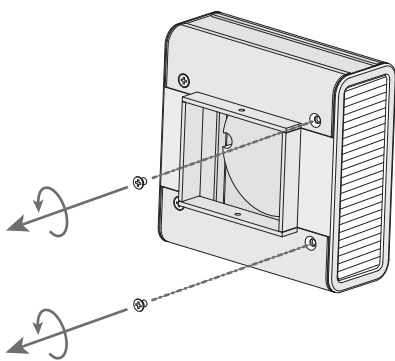
**2B**



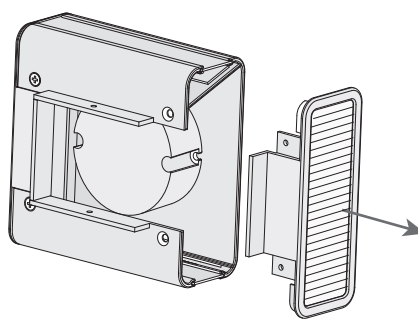
**3**



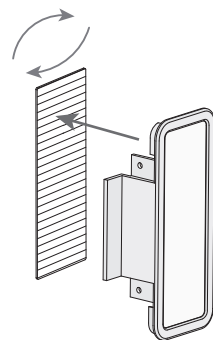
**4**



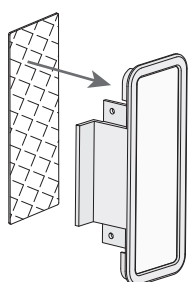
**5**



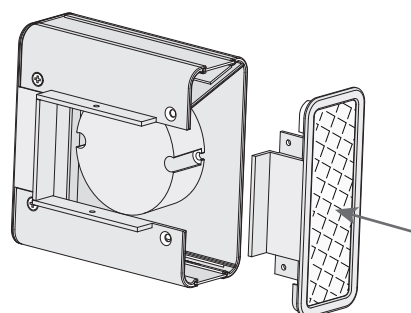
**6**



**7**



**8**



**9**

