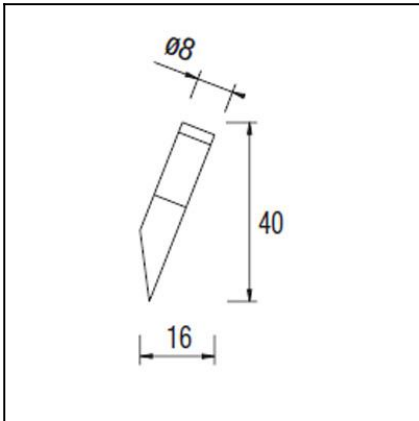




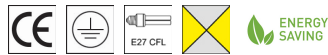
The photograph may not match the reference exactly. Please read the product description to identify the finish.



Download photometric file .ldt /.ies

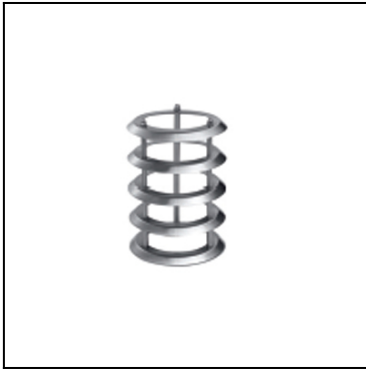
TECHNICAL CHARACTERISTICS

| | |
|------------------------------|---------------|
| Type: | Wall fixture |
| IP Protection degrees: | IP55 |
| Lampholder: | 1 x E27 |
| Power (W): | E27 MAX 23W |
| Total power consumption (W): | 23 |
| Voltage / Frequency: | 230V/50-60Hz |
| Warranty (Years): | 2 |
| Units per box: | 6 |
| Net Weight (Kg): | 0.495 |
| EAN: | 8435071401739 |


MATERIALS / FINISHES

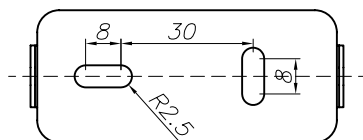
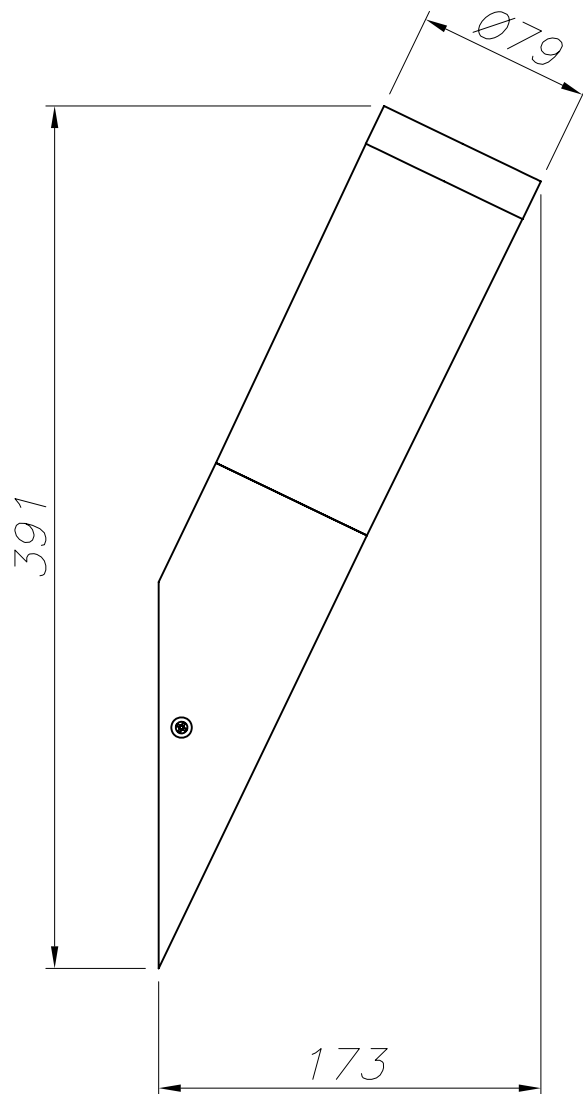
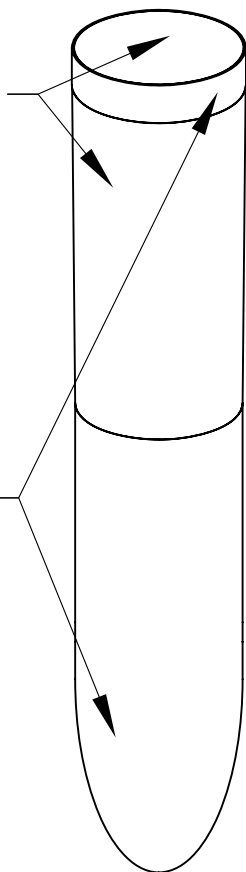
| | | | |
|----------------------------|----------------------------|---------------------------|---------------|
| Structure material: | Stainless steel AISI202 | Diffuser material: | Polycarbonate |
| Structure finish: | Polished | Diffuser finish: | Opal |

55-8791-Y4-Y4

**Structure material:** Stainless steel AISI202**Structure finish:** Polished

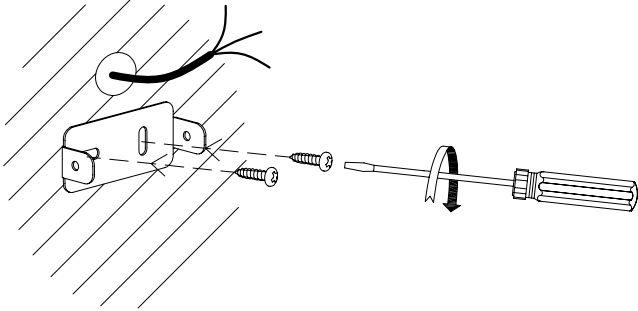
POLICARBONATO OPAL
OPAL POLYCARBONATE

ACERO INOXIDABLE
STAINLESS STEEL

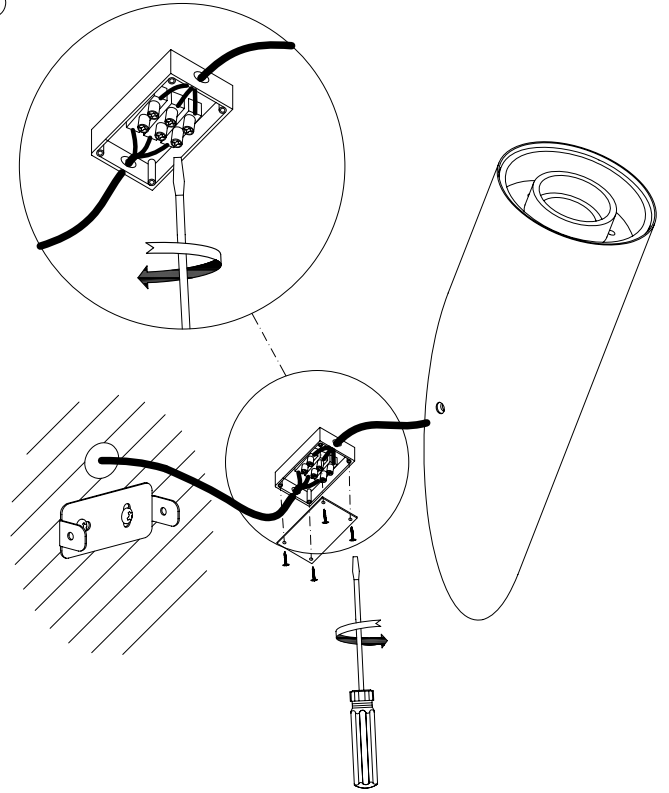


PLANTILLA DE INSTALACIÓN
INSTALLATION TEMPLATE

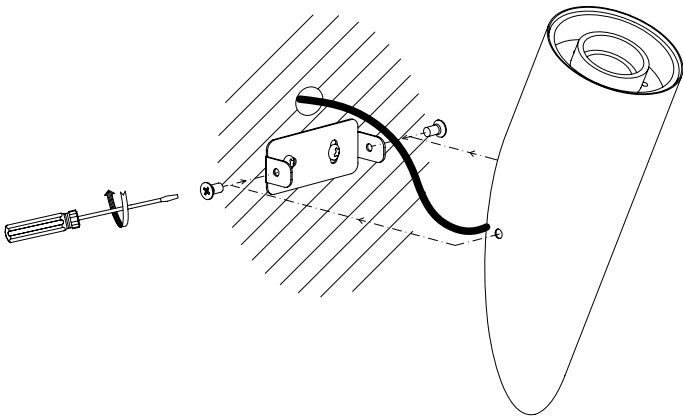
①



②



③



④

