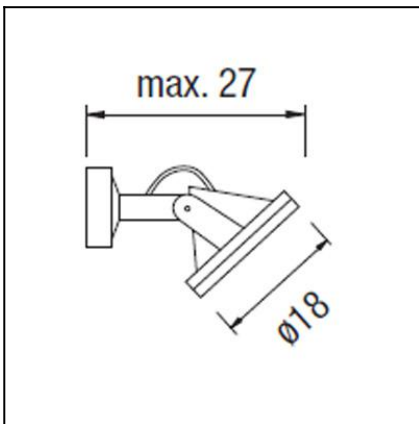


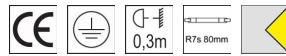


The photograph may not match the reference exactly. Please read the product description to identify the finish.



### TECHNICAL CHARACTERISTICS

Type:	Focus
Adjustable $\pm 90^\circ$ on the horizontal axis.	
Adjustable $360^\circ$ on the vertical axis.	
IP Protection degrees:	IP65
IK Protection degrees:	IK08
Lampholder:	1 x R7s
Power (W):	R7s MAX 150W
Bulb included:	1 x R7s 120W
Total power consumption (W):	150
Angle of the optics/Reflector:	$95^\circ$
Voltage / Frequency:	230V/50-60Hz
Warranty (Years):	2
Units per box:	2
Net Weight (Kg):	1.375
EAN:	8435111030776



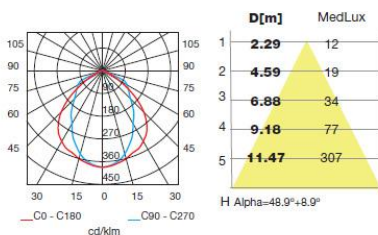
### MATERIALS / FINISHES

**Structure material:** Injected aluminium

**Diffuser material:** Glass

**Structure finish:** Grey

**Diffuser finish:** Tempered

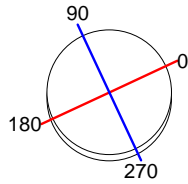


Download photometric file .ldt / .ies

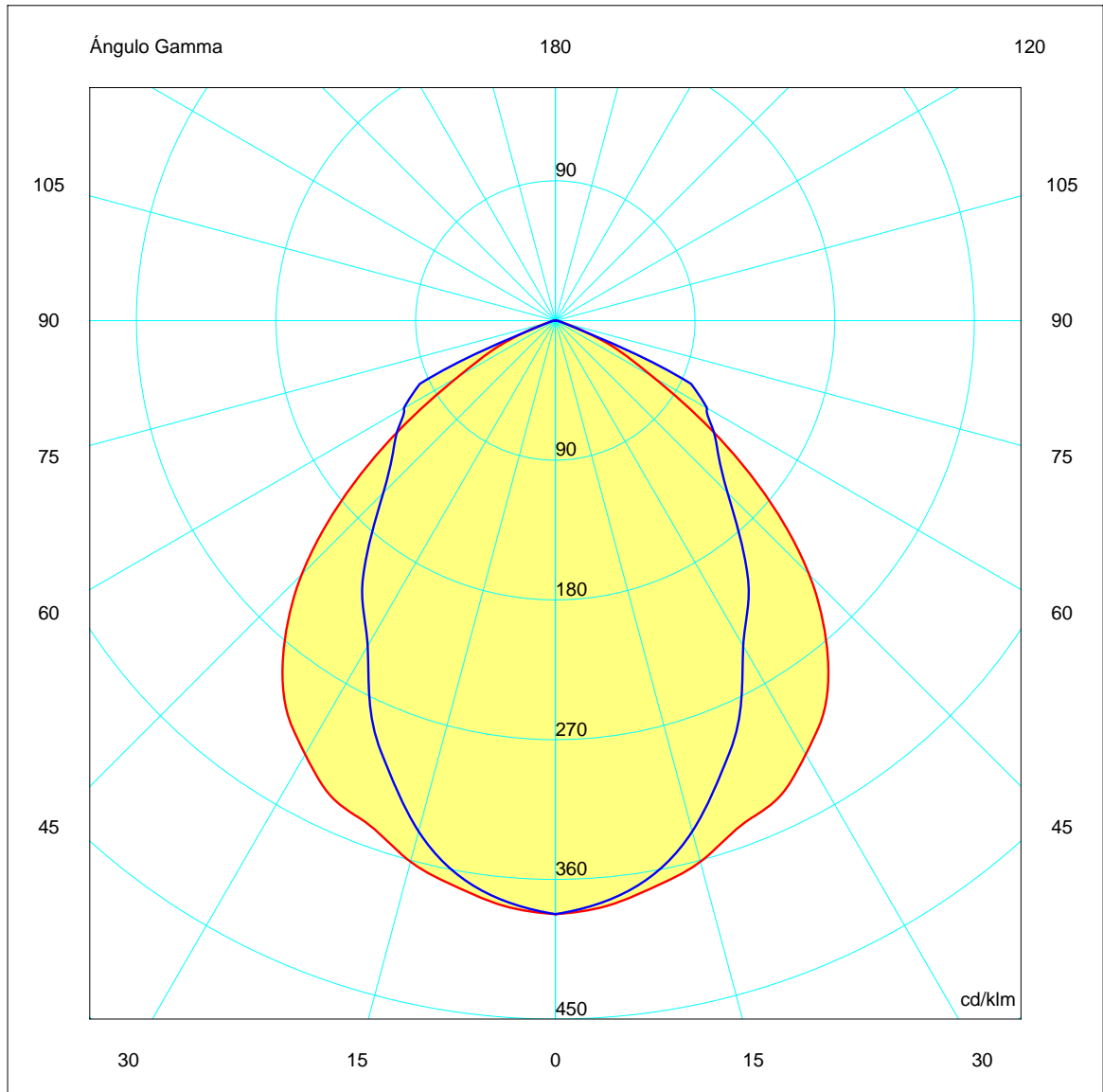
<b>Luminaria</b>		<b>Ensayo</b>		<b>Lámpara</b>	
Código	05-9107-34-37	Código	05-9107-34-37	Código	150PLUS
Nombre	Apliche halogena 150W R7s	Nombre	Apliche halogena 1x150W R7s	Número	1
Familia	- LEDS-C4	Fecha	10-11-2008	Posición	Universal
Eficiencia	73.28%	Sist. de Coorden.	C-G	Flujo Total	2250.00 lm
Valor Máximo	382.38 cd/klm	Posición	C=0.00 G=0.00		Bisimétrico

Diam=170mm

Semiplanos C



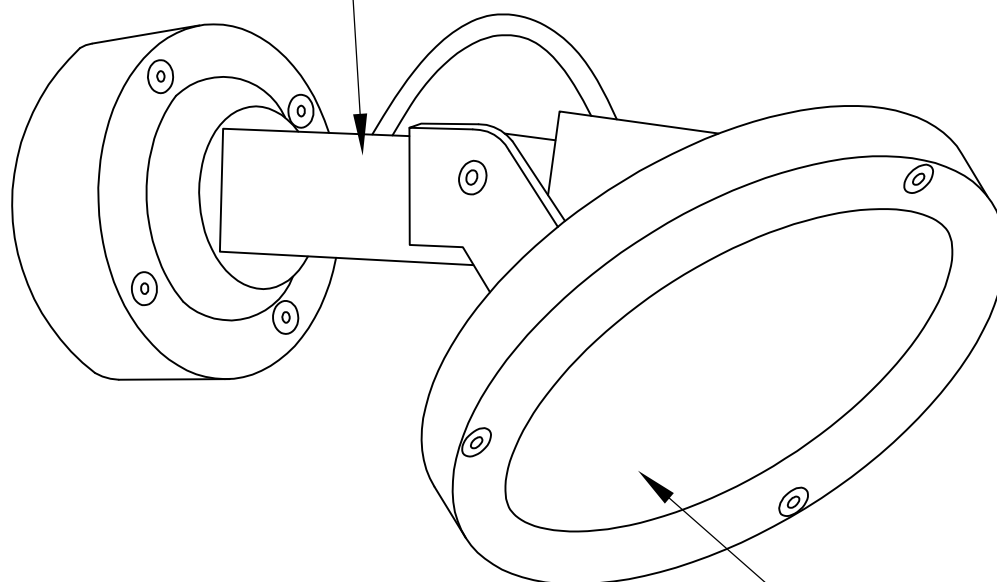
180.0 ——— 0.0  
270.0 ——— 90.0



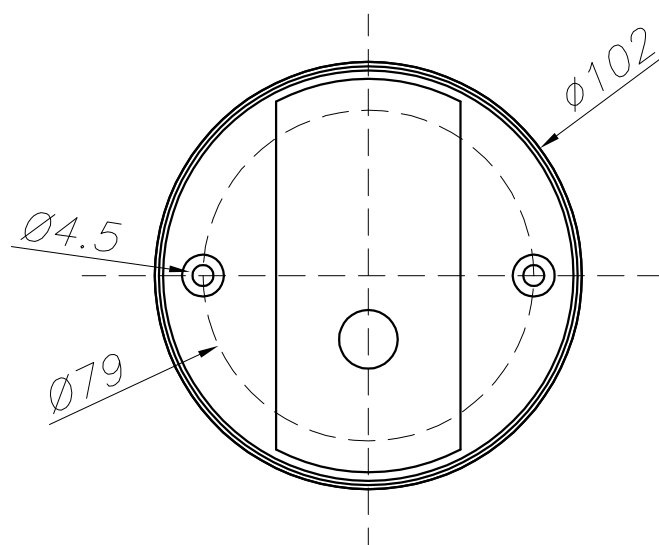
MAX. 270

ALUMINIO INYECTADO  
INJECTED ALUMINUM

Ø180



CRISTAL  
GLASS



PLANTILLA DE INSTALACIÓN  
INSTALLATION TEMPLATE



LED S-C4

OUTDOOR

05-9107

