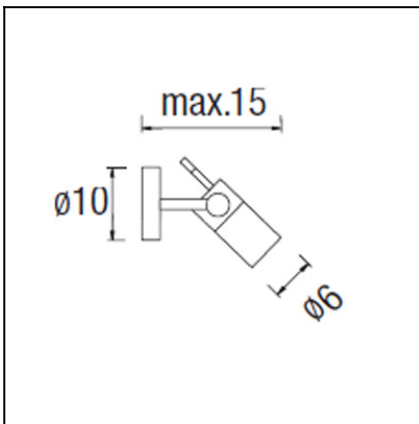




The photograph may not match the reference exactly. Please read the product description to identify the finish.

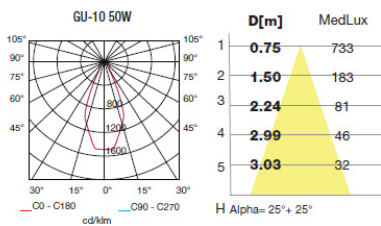
TECHNICAL CHARACTERISTICS

Type:	Wall fixture
Adjustable $\pm 90^\circ$ on the horizontal axis.	
IP Protection degrees:	IP54
Lampholder:	1 x GU10
Power (W):	GU10 MAX 50W
Total power consumption (W):	50
Voltage / Frequency:	230V/50-60Hz
Warranty (Years):	2
Units per box:	12
Net Weight (Kg):	0.7
EAN:	8435111030929

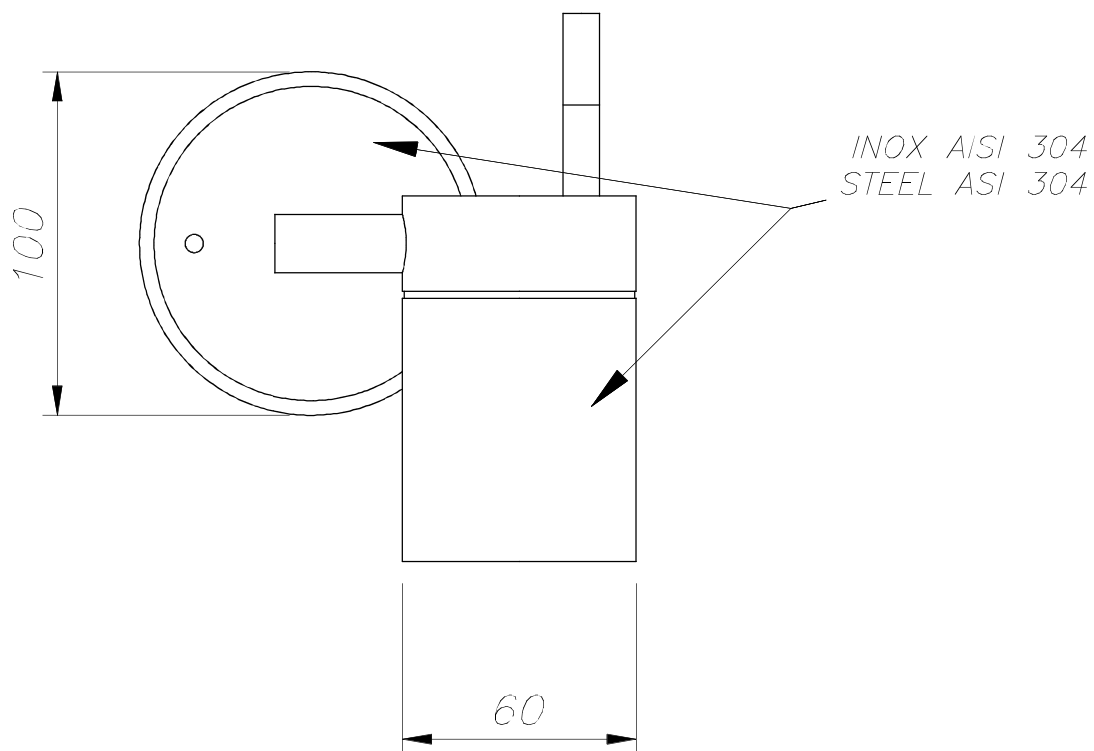
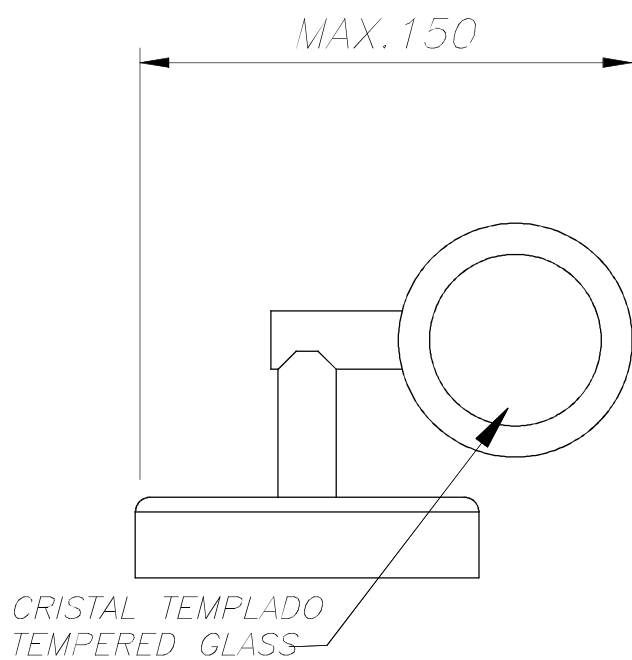

MATERIALS / FINISHES

Structure material: Stainless steel AISI304
Structure finish: Polished

Diffuser material: Glass
Diffuser finish: Tempered



Download photometric file .ldt /.ies





LEDs.c4

OUTDOOR

05-9122

