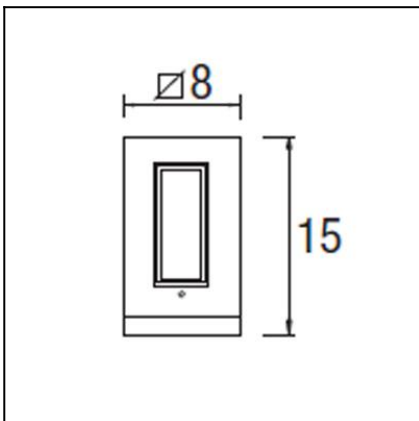


**OUT** 
**FENIX**
**05-9129-34-37**


The photograph may not match the reference exactly. Please read the product description to identify the finish.


**TECHNICAL CHARACTERISTICS**

Type:	Wall fixture
IP Protection degrees:	IP54
IK Protection degrees:	IK06
Lampholder:	1 x G9
Power (W):	G9 MAX 60W
Bulb included:	1 x G9 33W
Total power consumption (W):	60
Angle of the optics/Reflector:	20°
Voltage / Frequency:	230V/50-60Hz
Warranty (Years):	2
Units per box:	6
Net Weight (Kg):	1.29
EAN:	8435111050415

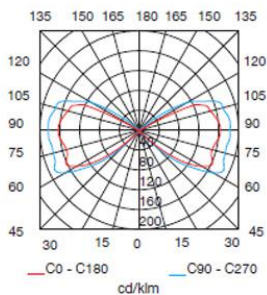

**MATERIALS / FINISHES**

**Structure material:** Injected aluminium

**Diffuser material:** Glass  
Glass

**Structure finish:** Grey

**Diffuser finish:** Transparent  
Lenticular

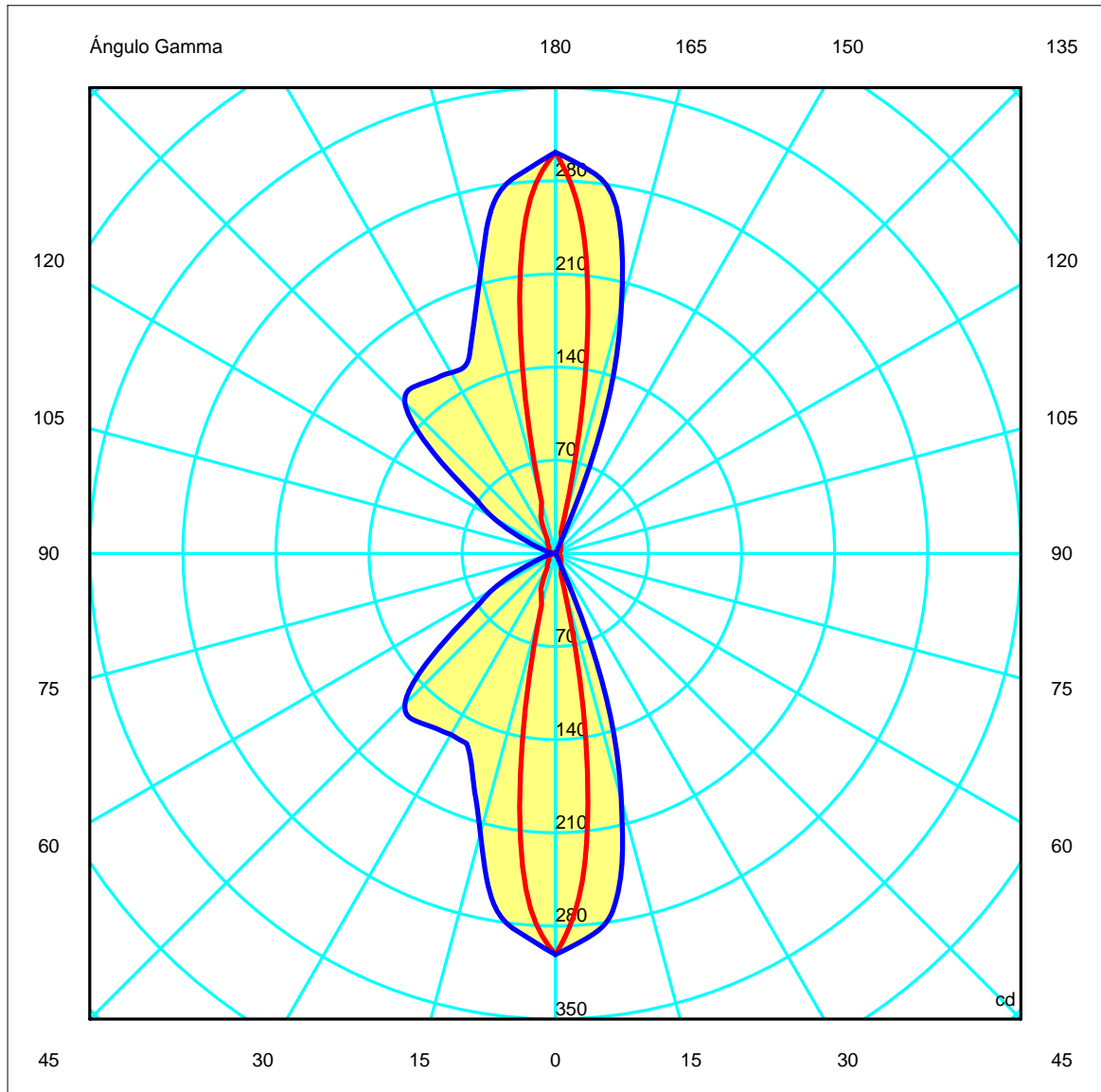
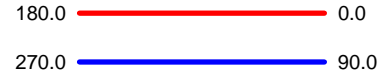
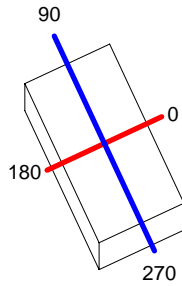


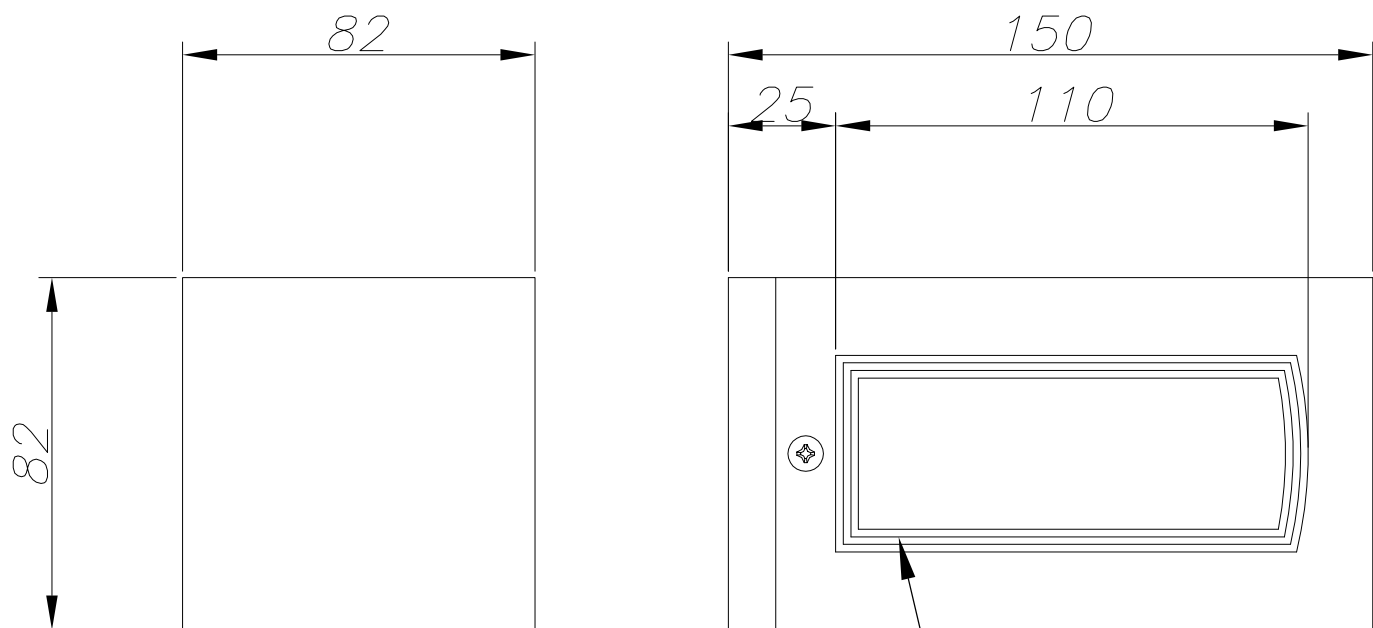
Download photometric file .ldt /.ies

<b>Luminaria</b>		<b>Ensayo</b>		<b>Lámpara</b>	
Código	05-9129-34-37	Código	05-9129-34-37	Código	66660
Nombre	Aplique FENIX Hal. 60W G9 conc	Nombre	Aplique Fenix Halopin 60W G9	Número	1
Familia	- LEDS-C4	Fecha	25-08-2009	Posición	Universal
Eficiencia	30.44%	Sist. de Coorden.	C-G	Flujo Total	820.00 lm
Valor Máximo	301.44 cd	Posición	C=0.00 G=0.00		Asimétrico

150mm x 80mm

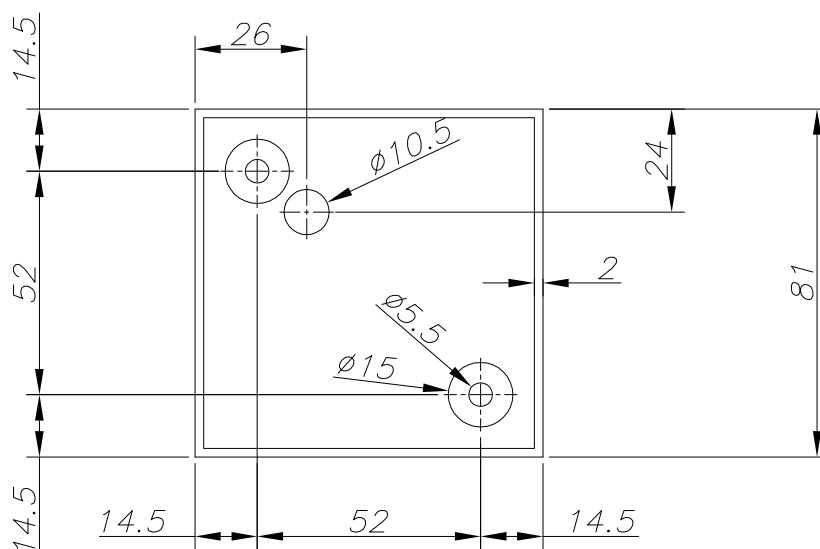
Semiplanos C





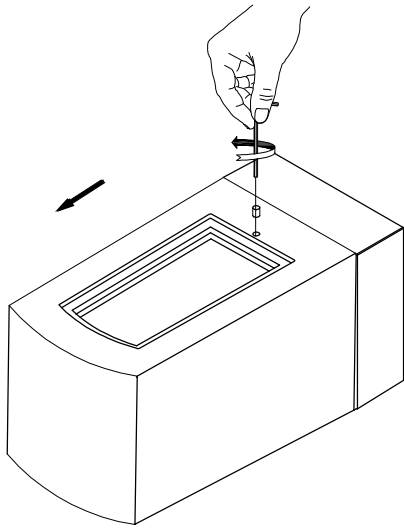
*Cristal lupa transparente/  
Crystal clear lens*

*Aluminio inyectado pintado/  
Painted injected aluminium*



PLANTILLA DE INSTALACIÓN  
INSTALLATION TEMPLATE

①



②

