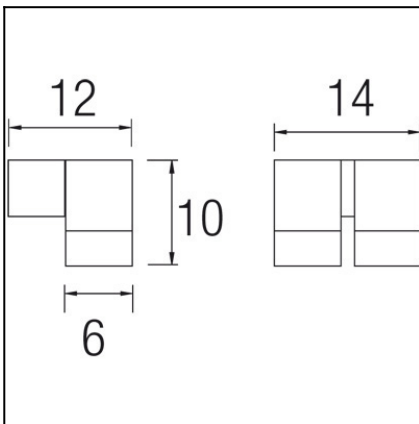
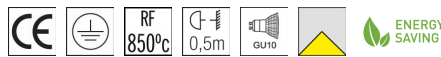


The photograph may not match the reference exactly. Please read the product description to identify the finish.



TECHNICAL CHARACTERISTICS

Type:	Wall fixture
Adjustable $\pm 120^\circ$ on the horizontal axis.	
IP Protection degrees:	IP44
Lampholder:	2 x GU10
Power (W):	GU10 Max.50W
Bulb included:	2 x GU10 50W
Total power consumption (W):	100
Voltage / Frequency:	230V/50-60Hz
Warranty (Years):	2
Units per box:	4
Net Weight (Kg):	1.225
EAN:	8435111044643



MATERIALS / FINISHES

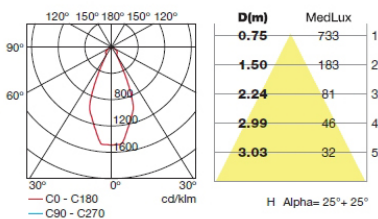
Structure material: Aluminium

Diffuser material: Glass

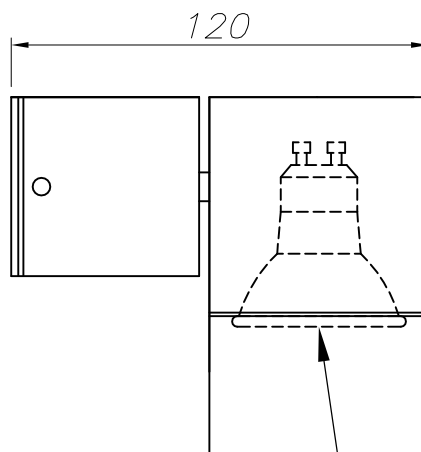
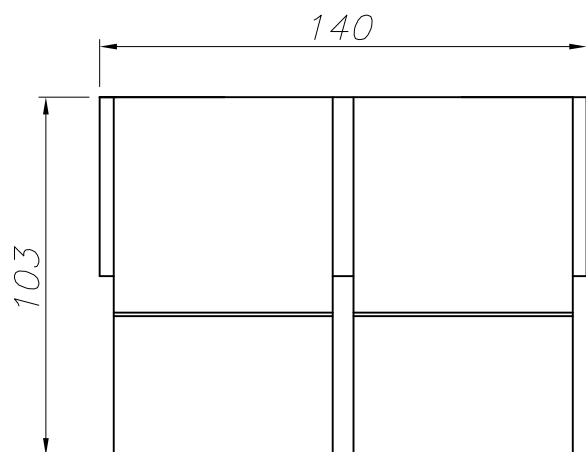
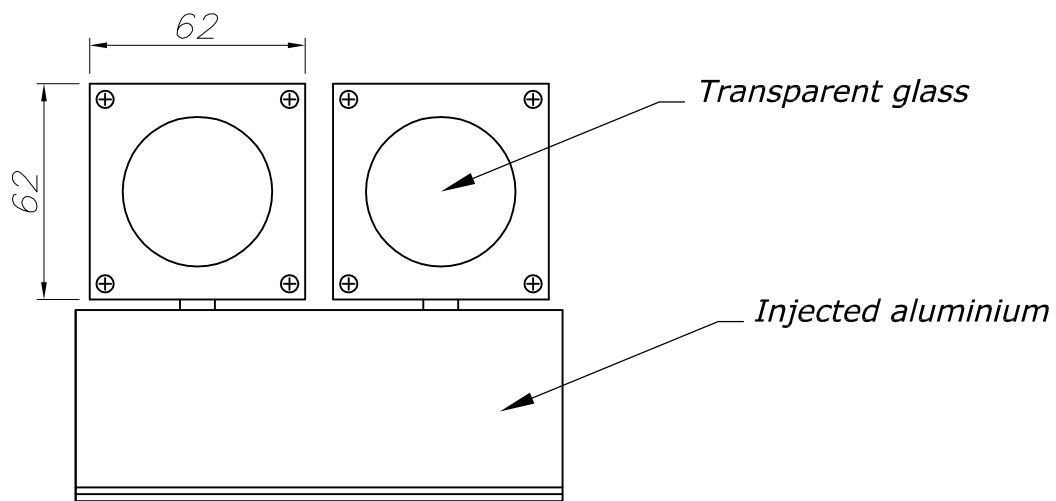
Structure finish: Grey

Diffuser finish: Tempered

GU-10 50W

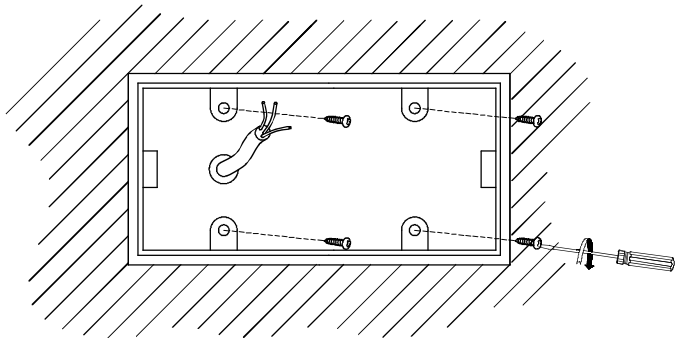


Download photometric file .ldt / .ies

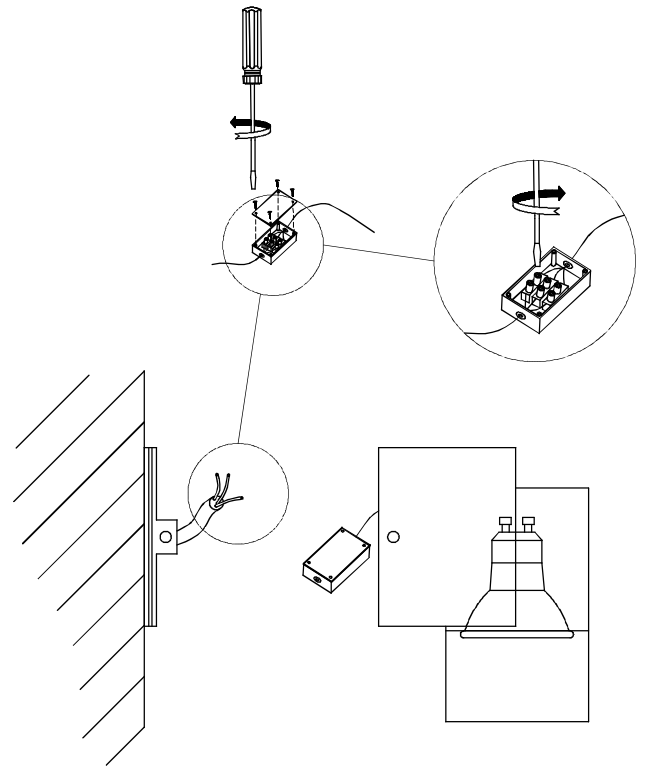


- GU10 base
- MR16 bulb
- Halogen bulb Max.50W
- Led bulb Max.5W
- Fluorescent bulb Max.14W

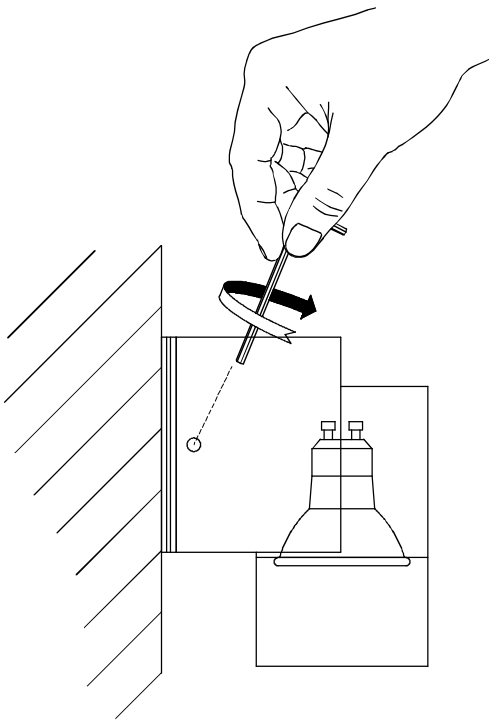
①



②



③



④

