

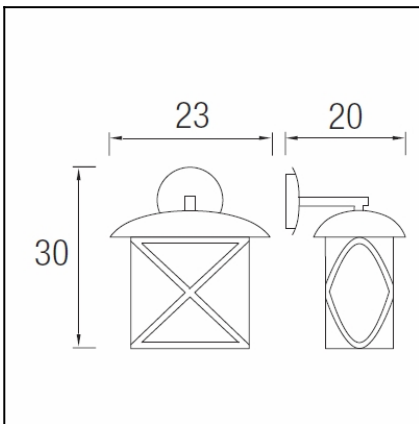
OUT 

CROSS

05-9295-18-M3



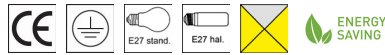
The photograph may not match the reference exactly. Please read the product description to identify the finish.



Download photometric file .ldt / .ies

TECHNICAL CHARACTERISTICS

| | |
|------------------------------|------------------------------|
| Type: | Wall fixture |
| IP Protection degrees: | IP23 |
| Lampholder: | 1 x E27 1 x E27 |
| Power (W): | E27 Max.100W E27 Max.100W |
| Total power consumption (W): | 100 |
| Voltage / Frequency: | 220-240V/50-60Hz |
| Warranty (Years): | 2 |
| Units per box: | 4 |
| Net Weight (Kg): | 0.965 |
| EAN: | 8435111055694 |



MATERIALS / FINISHES

| | | | |
|----------------------------|-----------------------|---------------------------|---------------|
| Structure material: | High purity aluminium | Diffuser material: | Polycarbonate |
| Structure finish: | Oxide brown | Diffuser finish: | Matt |

71-9405-M3-M3



Structure material:

Polycarbonate

Structure finish:

Matt

IP65

71-9406-M3-M3



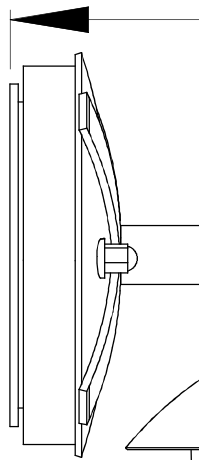
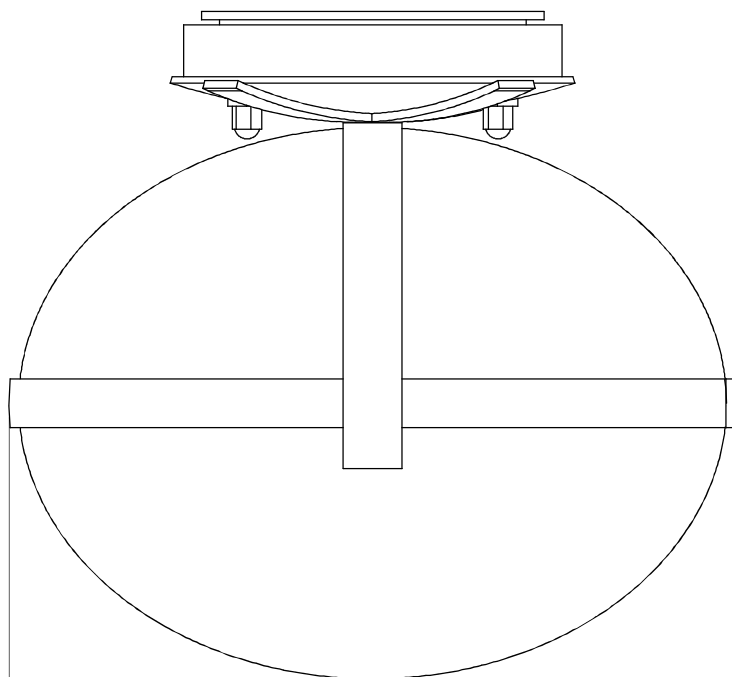
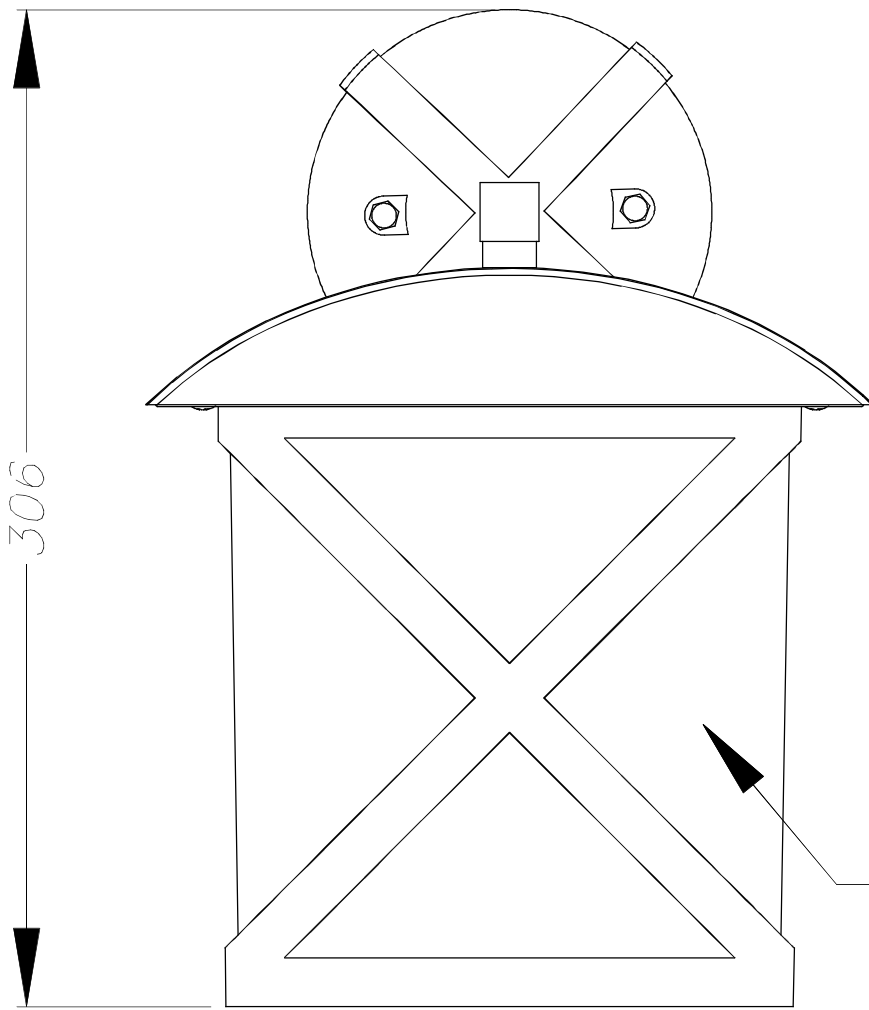
Structure material:

Polycarbonate

Structure finish:

Matt

IP65

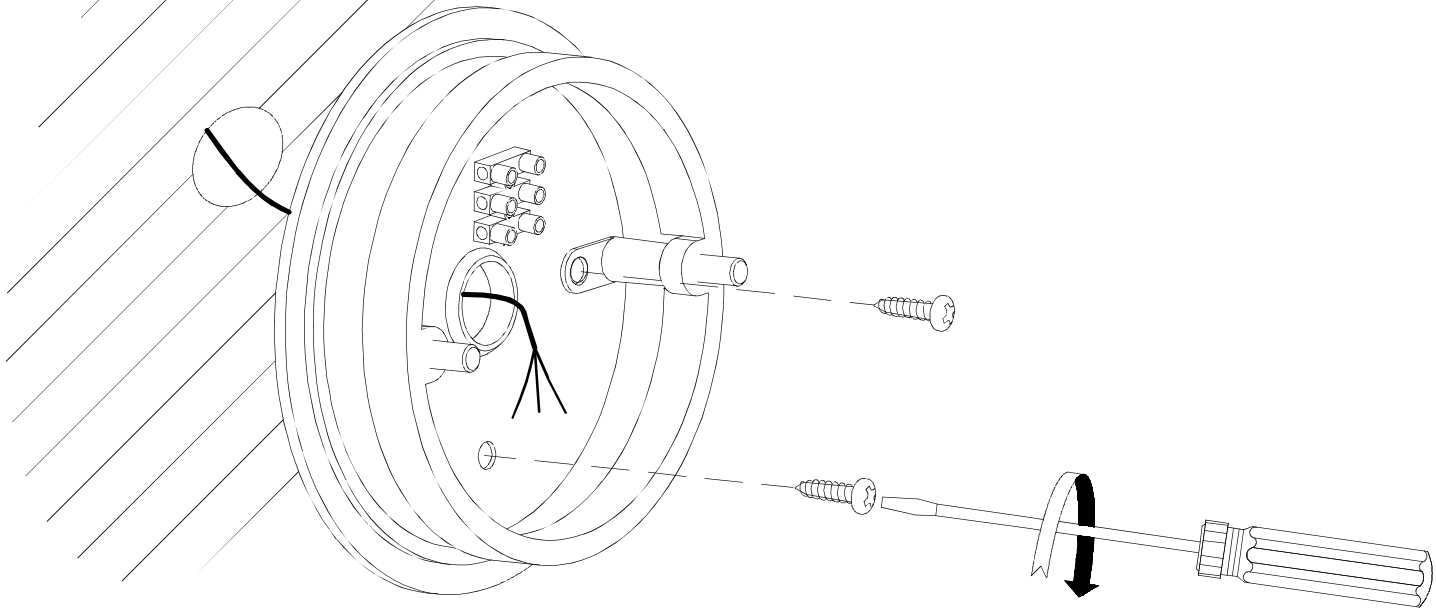




LED S-C4

OUTD

①



③

