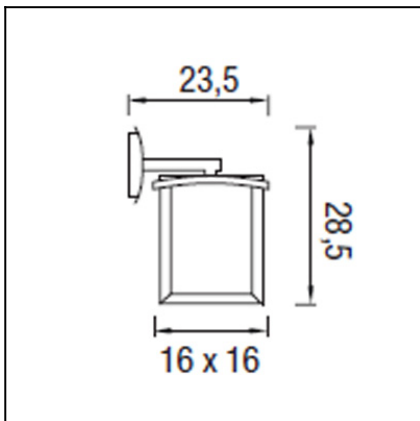


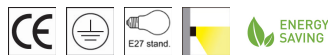


The photograph may not match the reference exactly. Please read the product description to identify the finish.



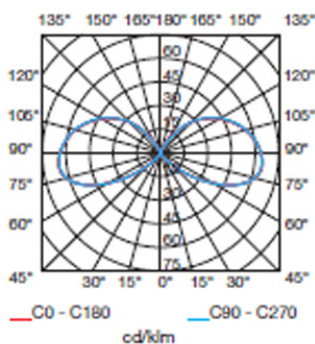
TECHNICAL CHARACTERISTICS

Type:	Wall fixture
IP Protection degrees:	IP23
Lampholder:	1 x E27
Power (W):	E27 max. 100W
Total power consumption (W):	100
Voltage / Frequency:	220-240V/50-60Hz
Warranty (Years):	2
Units per box:	6
Net Weight (Kg):	1.16
EAN:	8435111055724



MATERIALS / FINISHES

Structure material:	High purity aluminium	Diffuser material:	Polycarbonate
Structure finish:	Urban grey	Diffuser finish:	Matt



Download photometric file .ldt / .ies

71-9405-M3-M3



Structure material:

Polycarbonate

Structure finish:

Matt

IP65

71-9406-M3-M3



Structure material:

Polycarbonate

Structure finish:

Matt

IP65

Luminaria		Ensayo		Lámpara	
Código	05-9298-Z5-M3	Código	10-9298-Z5-M3	Código	PLED15
Nombre	MARK 14W Fluor E27	Nombre	Sobremuro MARK 14W fluor E27	Número	1
Familia	- LEDS-C4	Fecha	24-12-2010	Posición	Universal
Eficiencia	57.98%	Sist. de Coorden.	C-G	Flujo Total	800.00 lm
Valor Máximo	70.76 cd	Posición	C=30.00 G=85.00	Bisimétrico	

150mm x 150mm

Semiplanos C

180.0 ——— 0.0
 270.0 ——— 90.0

