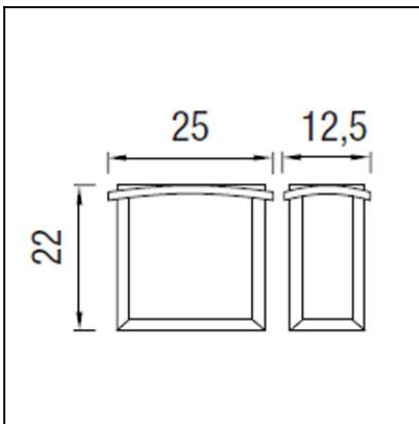


OUT 

MARK
05-9299-Z5-M3

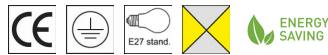


The photograph may not match the reference exactly. Please read the product description to identify the finish.



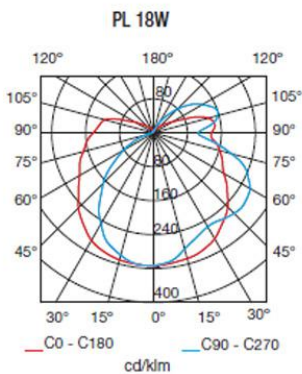
TECHNICAL CHARACTERISTICS

Type:	Wall fixture
IP Protection degrees:	IP23
Lampholder:	2 x E27
Power (W):	E27 max 60W
Total power consumption (W):	120
Voltage / Frequency:	220-240V/50-60Hz
Warranty (Years):	2
Units per box:	6
Net Weight (Kg):	1.92
EAN:	8435111055731



MATERIALS / FINISHES

Structure material:	High purity aluminium	Diffuser material:	Polycarbonate
Structure finish:	Urban grey	Diffuser finish:	Matt



Download photometric file .ldt /.ies

71-9405-M3-M3



Structure material:

Polycarbonate

Structure finish:

Matt

IP65

71-9406-M3-M3



Structure material:

Polycarbonate

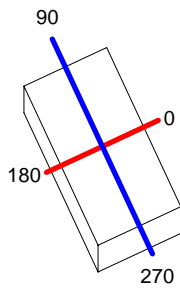
Structure finish:

Matt

IP65

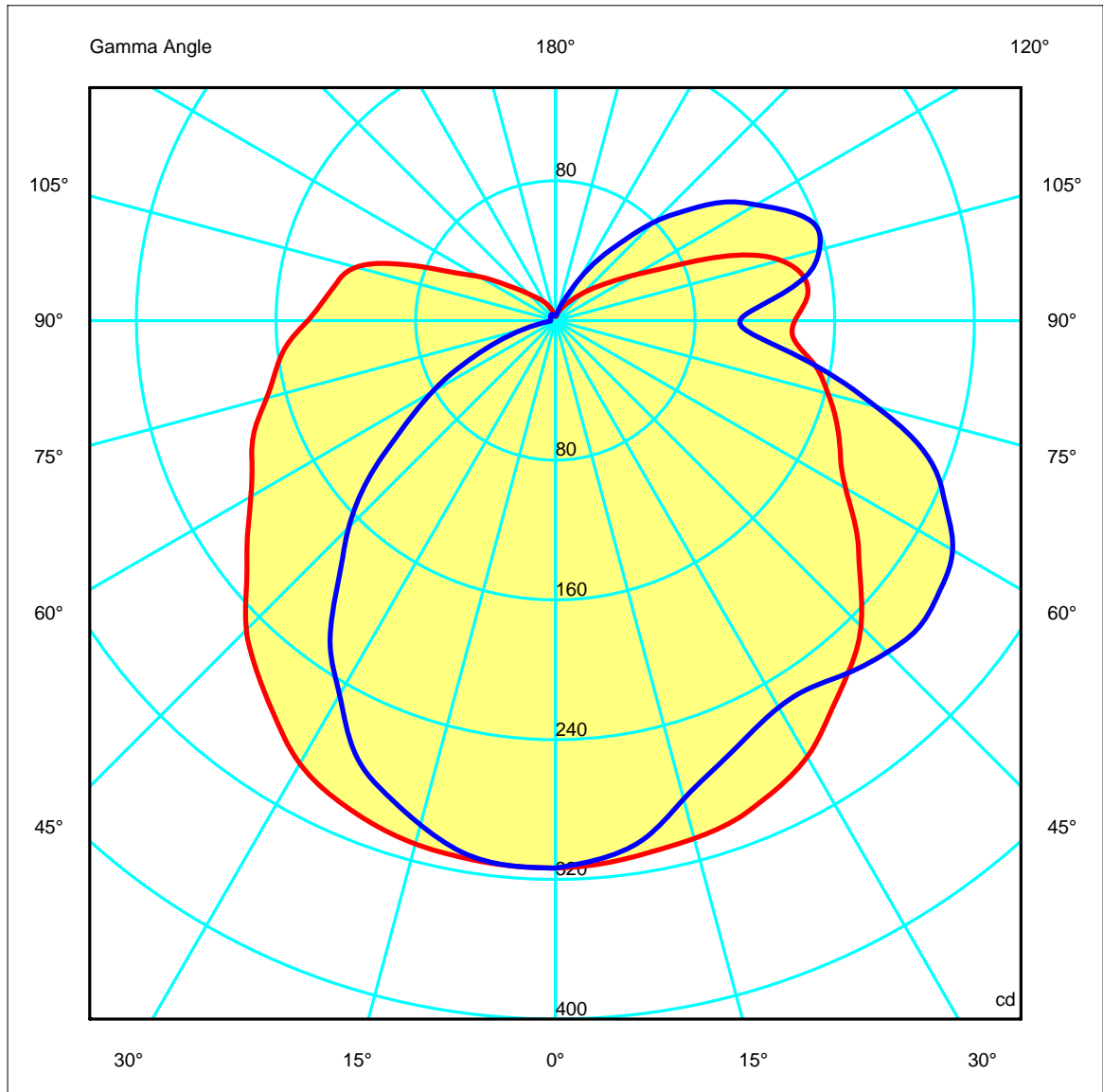
Luminaire		Measurement		Lamp	
Code	05-9299	Code	05-9299	Code	PLEC23
Name	Aplique Mark 2x23	Name	Aplique MARK 2x23W	Number	2
Line	- LEDS-C4	Date	28-12-2010	Position	Universal
Efficiency	55.56%	Coordinate system	C-G	Total Flux	3000.00 lm
Maximum value	316.53 cd	Position	C=285.00 G=5.00	Asymmetrical	

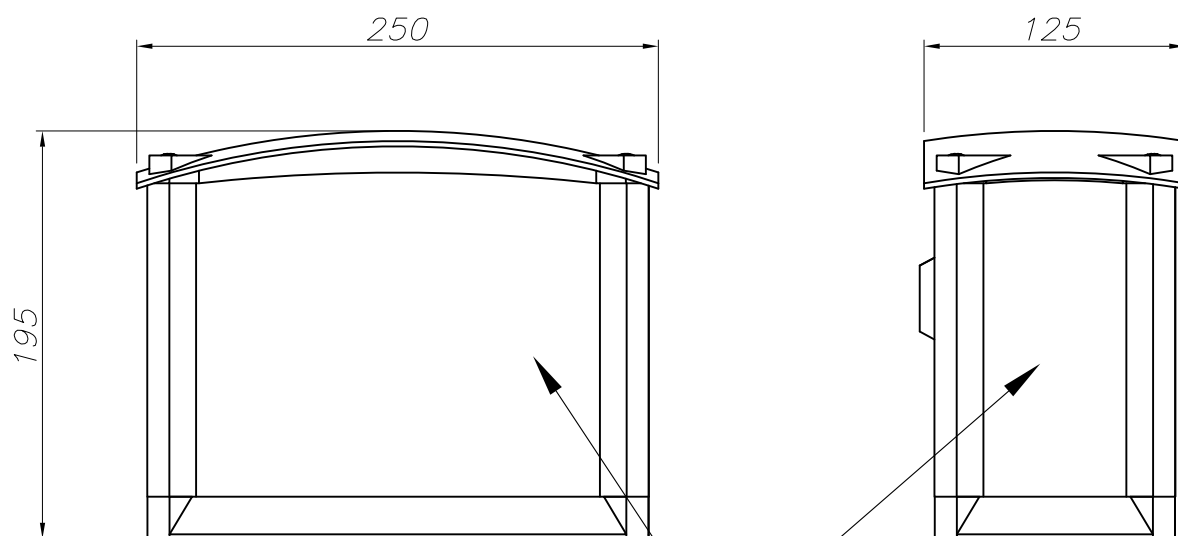
250mm x 130mm



C Halfplanes

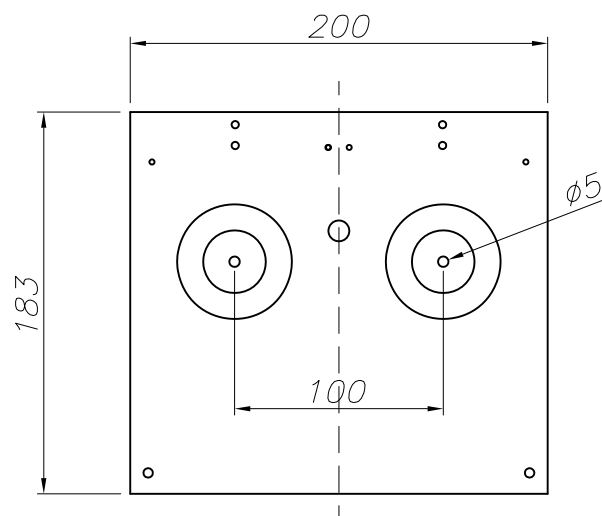
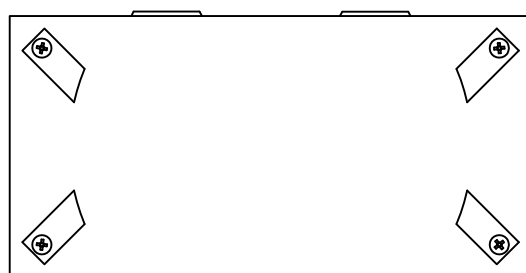
180.0 ——— 0.0
 270.0 ——— 90.0





PC SEMITRASPARENTE MATE
SEMITRASPARENT MATT PC

ALUMINIO INYECTADO
INJECTED ALUMINIUM



PLANTILLA DE INSTALACIÓN
INSTALLATION TEMPLATE

