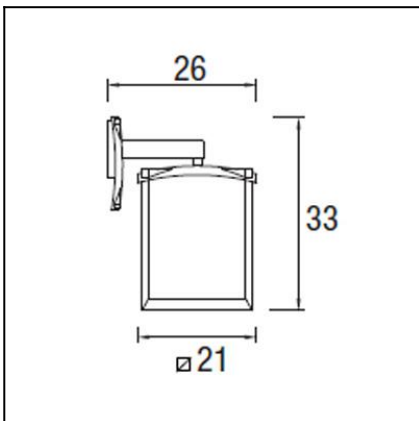


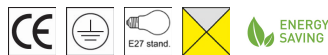


The photograph may not match the reference exactly. Please read the product description to identify the finish.



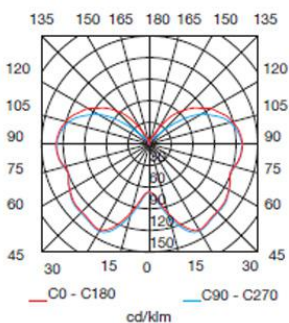
TECHNICAL CHARACTERISTICS

Type:	Wall fixture
IP Protection degrees:	IP23
Lampholder:	1 x E27
Power (W):	E27 MAX 100W
Total power consumption (W):	100
Voltage / Frequency:	230V/50-60Hz
Warranty (Years):	2
Units per box:	4
Net Weight (Kg):	1.7
EAN:	8435111067246



MATERIALS / FINISHES

Structure material:	High purity aluminium	Diffuser material:	Polycarbonate
Structure finish:	Urban grey	Diffuser finish:	Matt



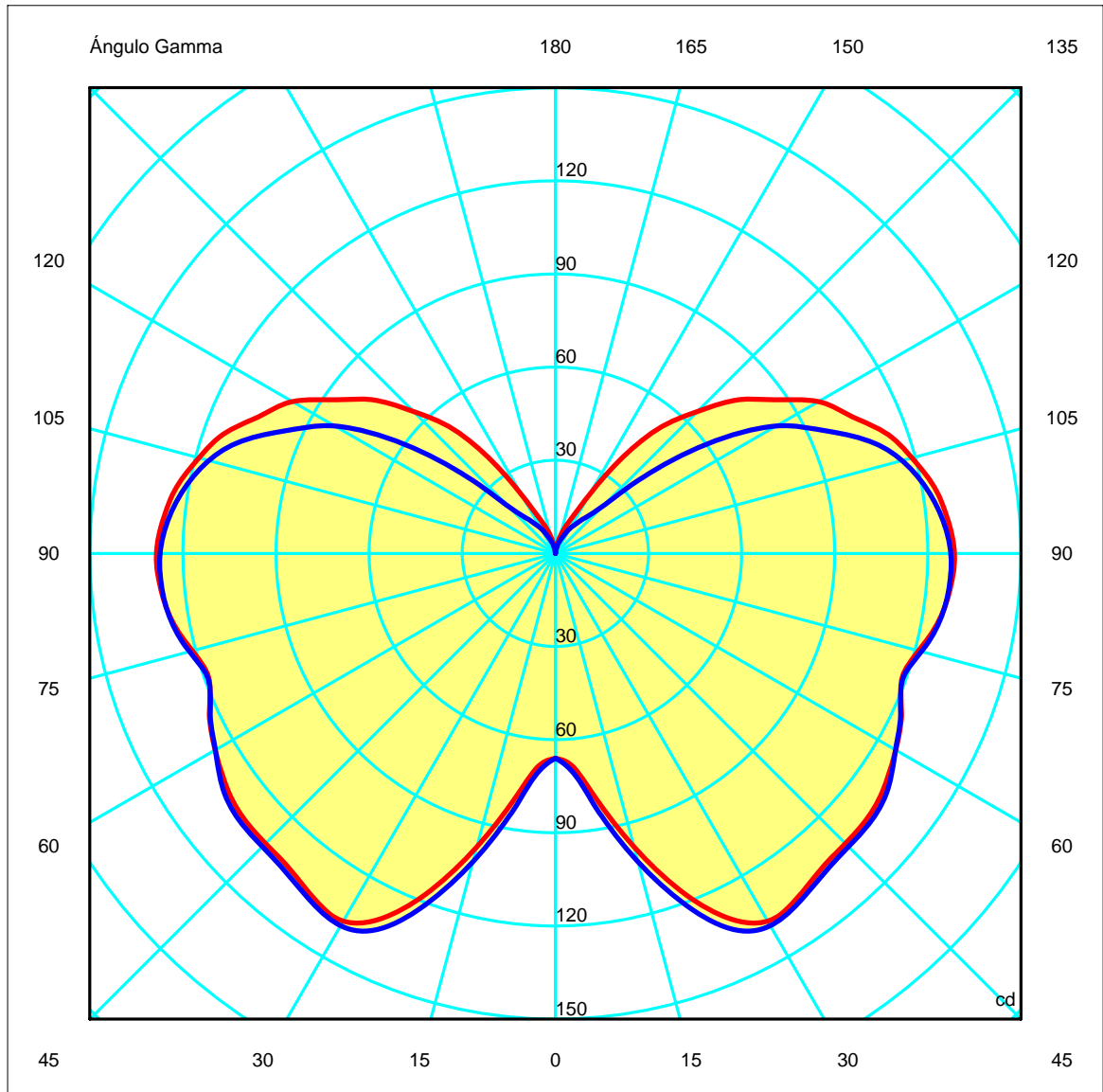
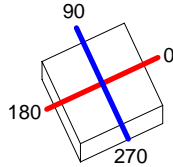
Download photometric file .ldt /.ies

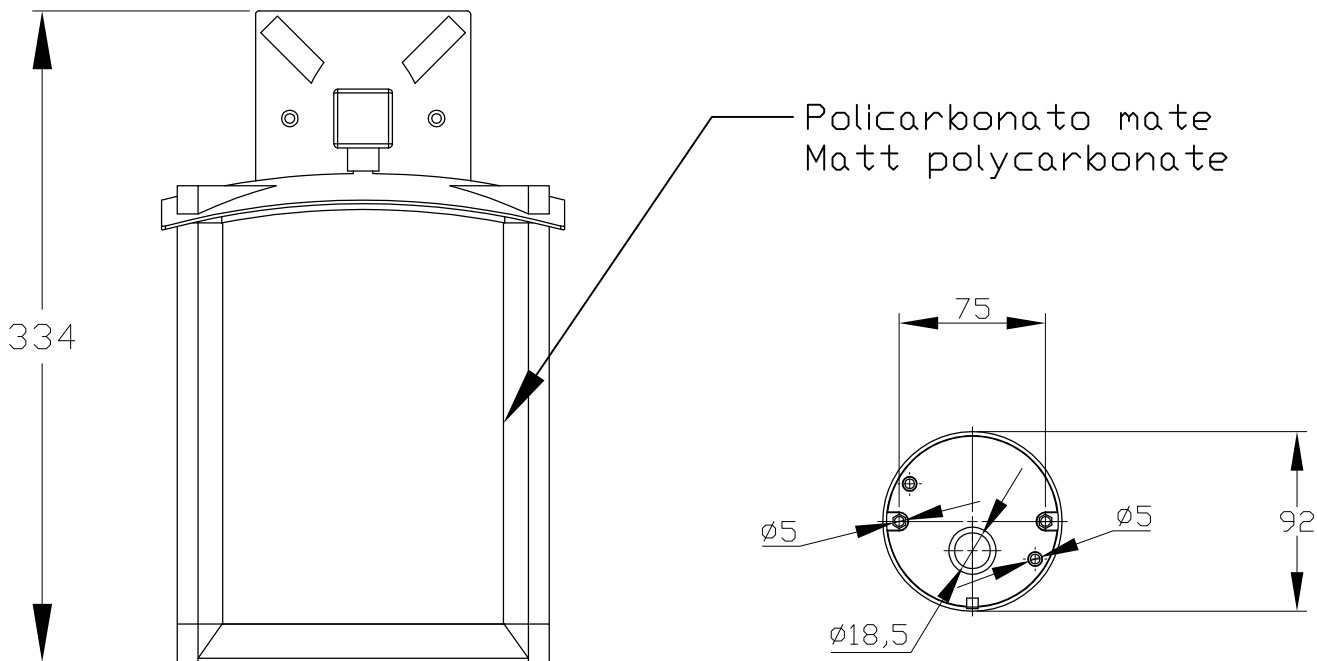
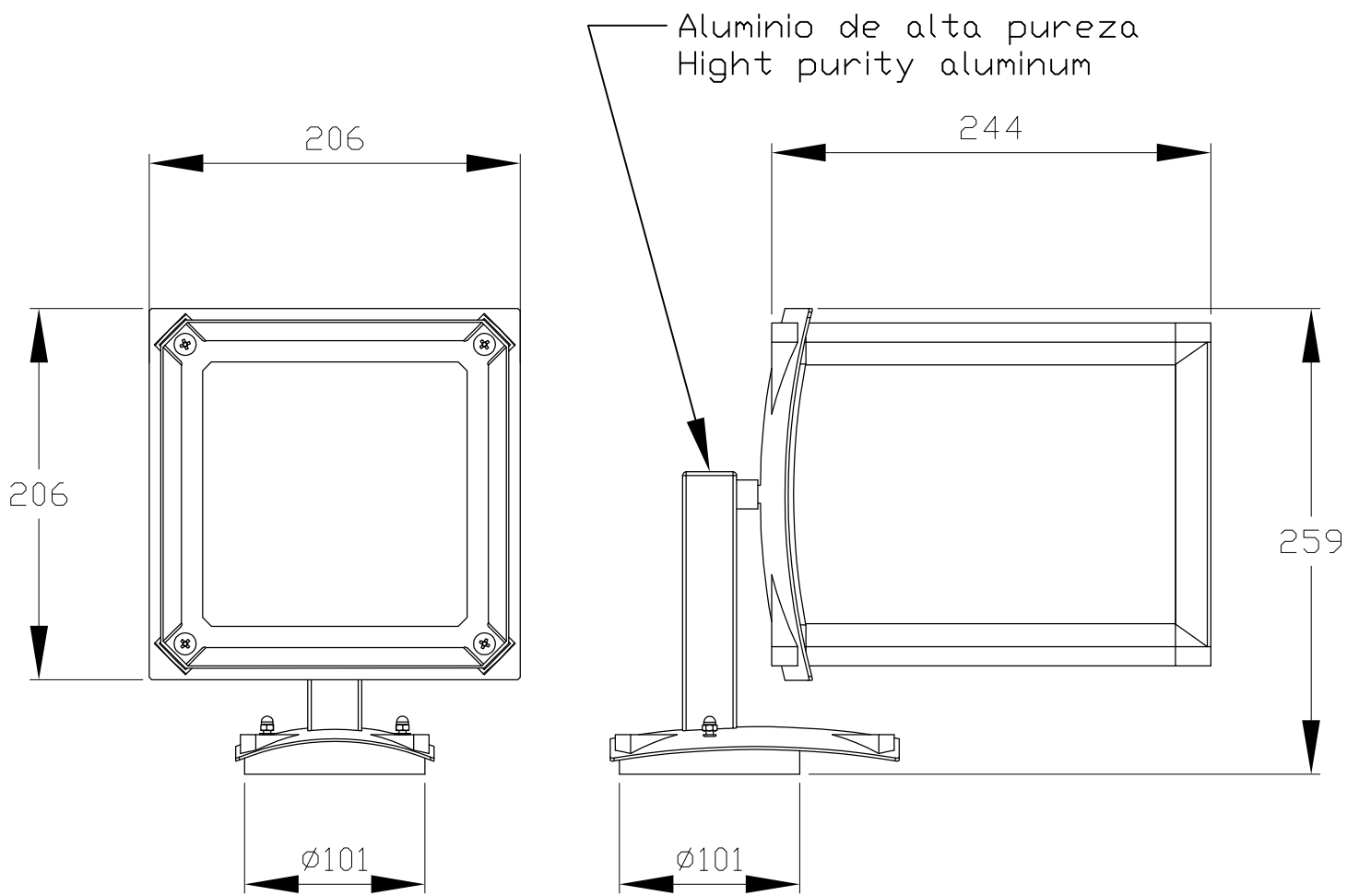
Luminaria		Ensayo		Lámpara	
Código	05-9390-Z5-M3	Código	05-9390-Z5-M3	Código	DLX EL LL 30W827E27
Nombre	MARK PL 30W E27 difusor opal	Nombre	MARK PL 30W E27 difusor opal	Número	1
Familia	- LEDS-C4	Fecha	02-09-2009	Posición	Universal
Eficiencia	73.69%	Sist. de Coorden.	C-G	Flujo Total	1900.00 lm
Valor Máximo	198.17 cd	Posición	C=45.00 G=40.00	Bisimétrico	

190mm x 190mm

Semiplanos C

180.0 ——— 0.0
 270.0 ——— 90.0





Aluminio de alta pureza
High purity aluminum

