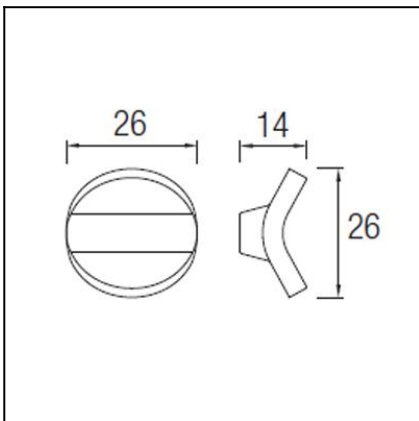


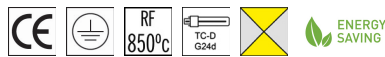


The photograph may not match the reference exactly. Please read the product description to identify the finish.



TECHNICAL CHARACTERISTICS

Type:	Wall fixture
IP Protection degrees:	IP54
IK Protection degrees:	IK06
Lampholder:	1 x G24d3
Power (W):	G24d3 26W
Voltage / Frequency:	230V/50Hz
Warranty (Years):	2
Units per box:	4
Net Weight (Kg):	1.735
EAN:	8435111081853

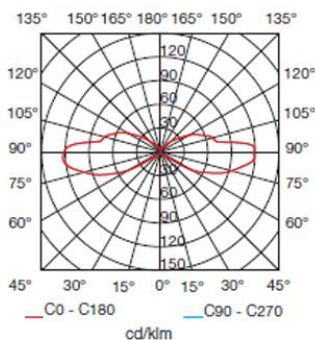


MATERIALS / FINISHES

Structure material:	High purity aluminium	Diffuser material:	Glass
Structure finish:	Urban grey	Diffuser finish:	Sandblasted

GEAR

Gear included: Yes, Magnetic

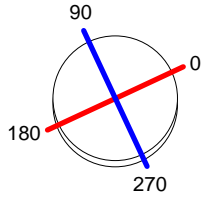


Download photometric file .ldt / .ies

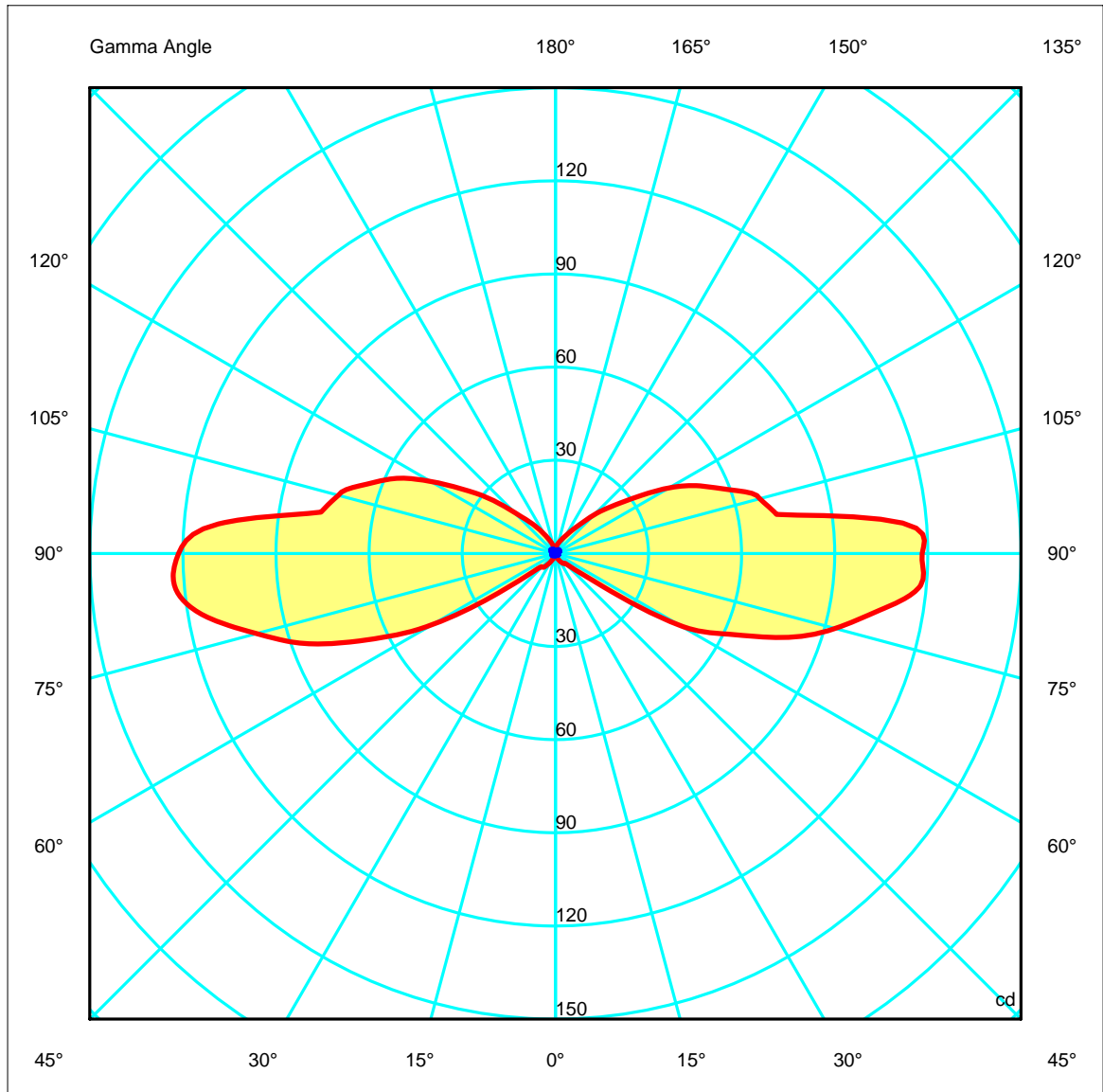
Luminaire		Measurement		Lamp	
Code	05-9471	Code	05-9471	Code	DD2641
Name	Aplique 1x26W Fluorescencia	Name	Aplique 26W Fluo	Number	1
Line	- LEDS-C4	Date	30-12-2010	Position	Universal
Efficiency	14.67%	Coordinate system	C-G	Total Flux	1800.00 lm
Maximum value	123.08 cd	Position	C=180.00 G=85.00		Asymmetrical

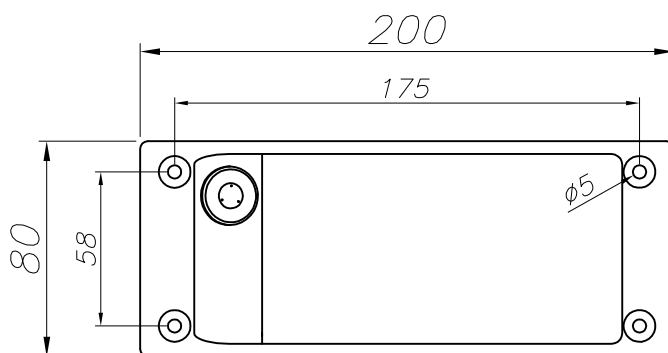
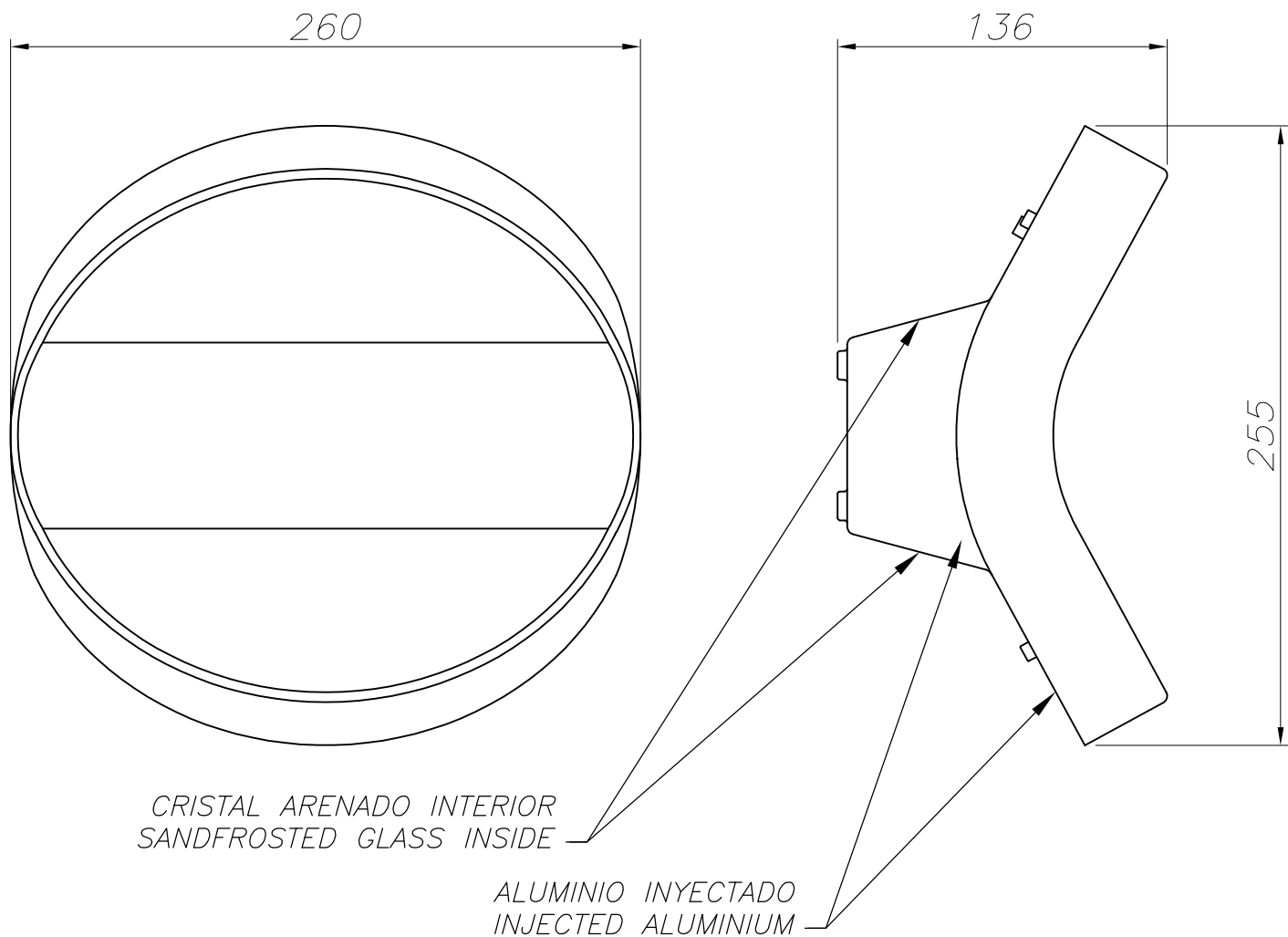
Diam=260mm

C Halfplanes



180.0 ——— 0.0
270.0 ——— 90.0





PLANTILLA DE INSTALACION
INSTALLATION TEMPLATE

