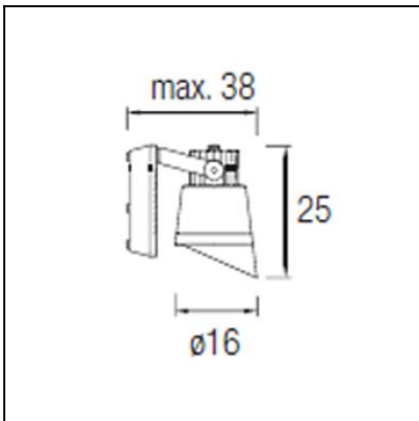


Design by Francesc Vilaró



The photograph may not match the reference exactly. Please read the product description to identify the finish.

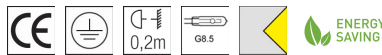


DESCRIPTION

Spotlight with body produced in high grade aluminium with a clear glass diffuser. Different sizes available depending on the wattage. Suitable for HID 20W, 35W, 70W and 150W light source (not supplied). OSRAM electronic components included. Finished in light grey. Rotatable. Its wire outlets on both sides makes it suitable for an array installation. Includes two reflectors of two different angles. Post included.

TECHNICAL CHARACTERISTICS

Type:	Spotlight
Adjustable $\pm 90^\circ$ on the horizontal axis.	
IP Protection degrees:	IP65
IK Protection degrees:	IK05
Lampholder:	1 x G8.5
Power (W):	G8.5 35W
Angle of the optics/Reflector:	16°, 30°
Voltage / Frequency:	230V/50-60Hz
Warranty (Years):	2
Units per box:	2
Net Weight (Kg):	2.49
EAN:	8435111081921



MATERIALS / FINISHES

Structure material: High purity aluminium

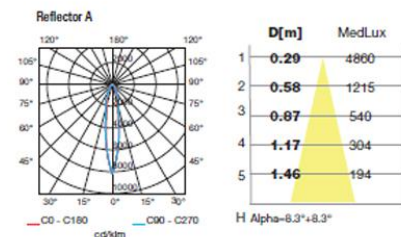
Diffuser material: Glass

Structure finish: Grey

Diffuser finish: Tempered

GEAR

Gear included: Yes, electronic

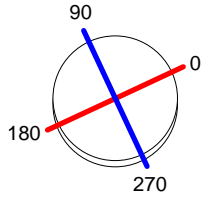


Download photometric file .ldt / .ies

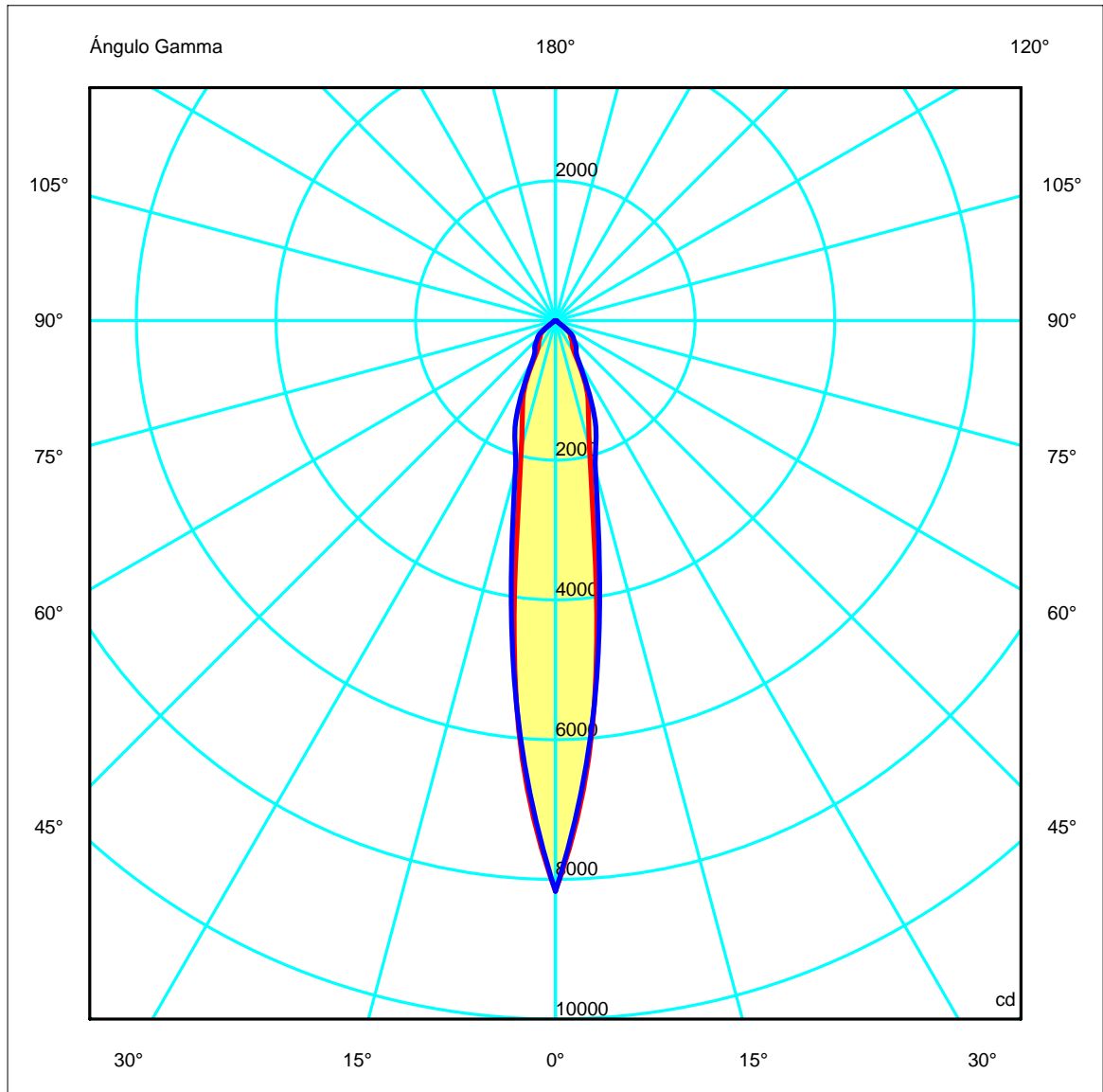
Luminaria		Ensayo		Lámpara	
Código	05-9501-34-37	Código	05-9473-B	Código	HCI-TC 35/830 WDL PB
Nombre	Proyector 35W HCI R.	Nombre	Proyector Ref Face HCI-TC 20W	Número	1
Familia	- LEDS-C4	Fecha	29-12-2010	Posición	Universal
Eficiencia	67.61%	Sist. de Coorden.	C-G	Flujo Total	3300.00 lm
Valor Máximo	8167.14 cd	Posición	C=0.00 G=0.00		Bisimétrico

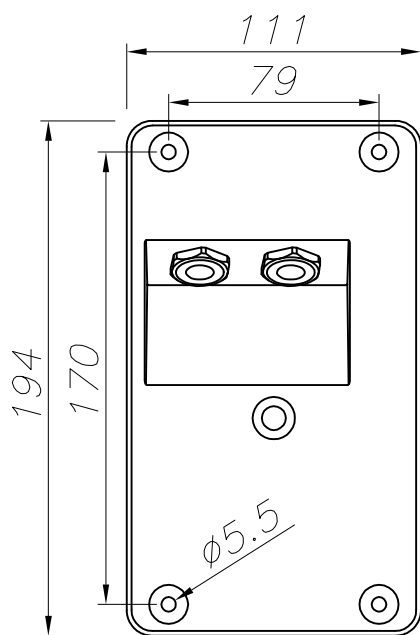
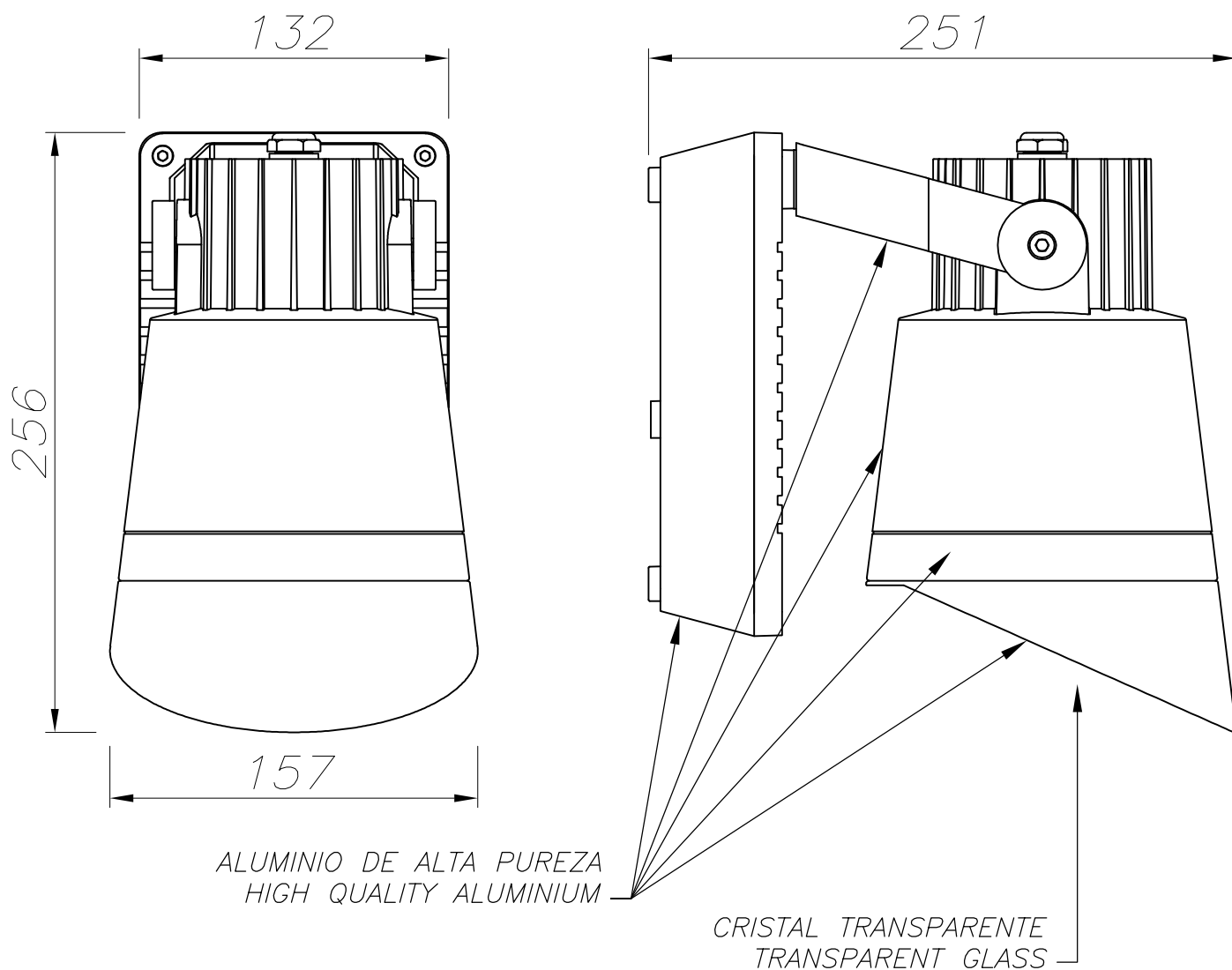
Diam=157mm

Semiplanos C



180.0 ——— 0.0
270.0 ——— 90.0





PLANTILLA DE INSTALACION
INSTALLATION TEMPLATE

