

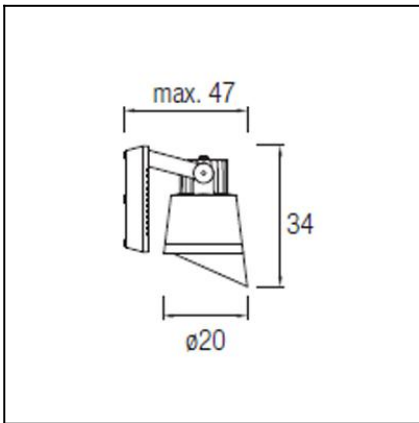
OUT 

HUBBLE
05-9502-34-37

Design by Francesc Vilaró

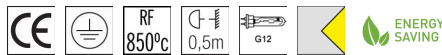


The photograph may not match the reference exactly. Please read the product description to identify the finish.



TECHNICAL CHARACTERISTICS

Type:	Spotlight
Adjustable $\pm 90^\circ$ on the horizontal axis.	
IP Protection degrees:	IP65
IK Protection degrees:	IK05
Lampholder:	1 x G12
Power (W):	G12 150W
Angle of the optics/Reflector:	25°, 53°
Voltage / Frequency:	230V/50-60Hz
Warranty (Years):	2
Units per box:	2
Net Weight (Kg):	3.59
EAN:	8435111081938



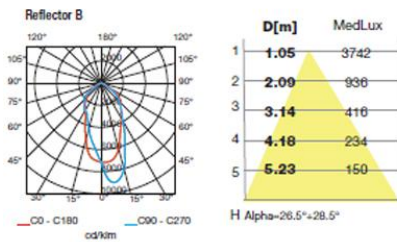
MATERIALS / FINISHES

Structure material: High purity aluminium
Structure finish: Grey

Diffuser material: Glass
Diffuser finish: Tempered

GEAR

Gear included: Yes, electronic

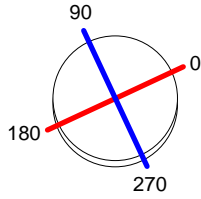


Download photometric file .ldt / .ies

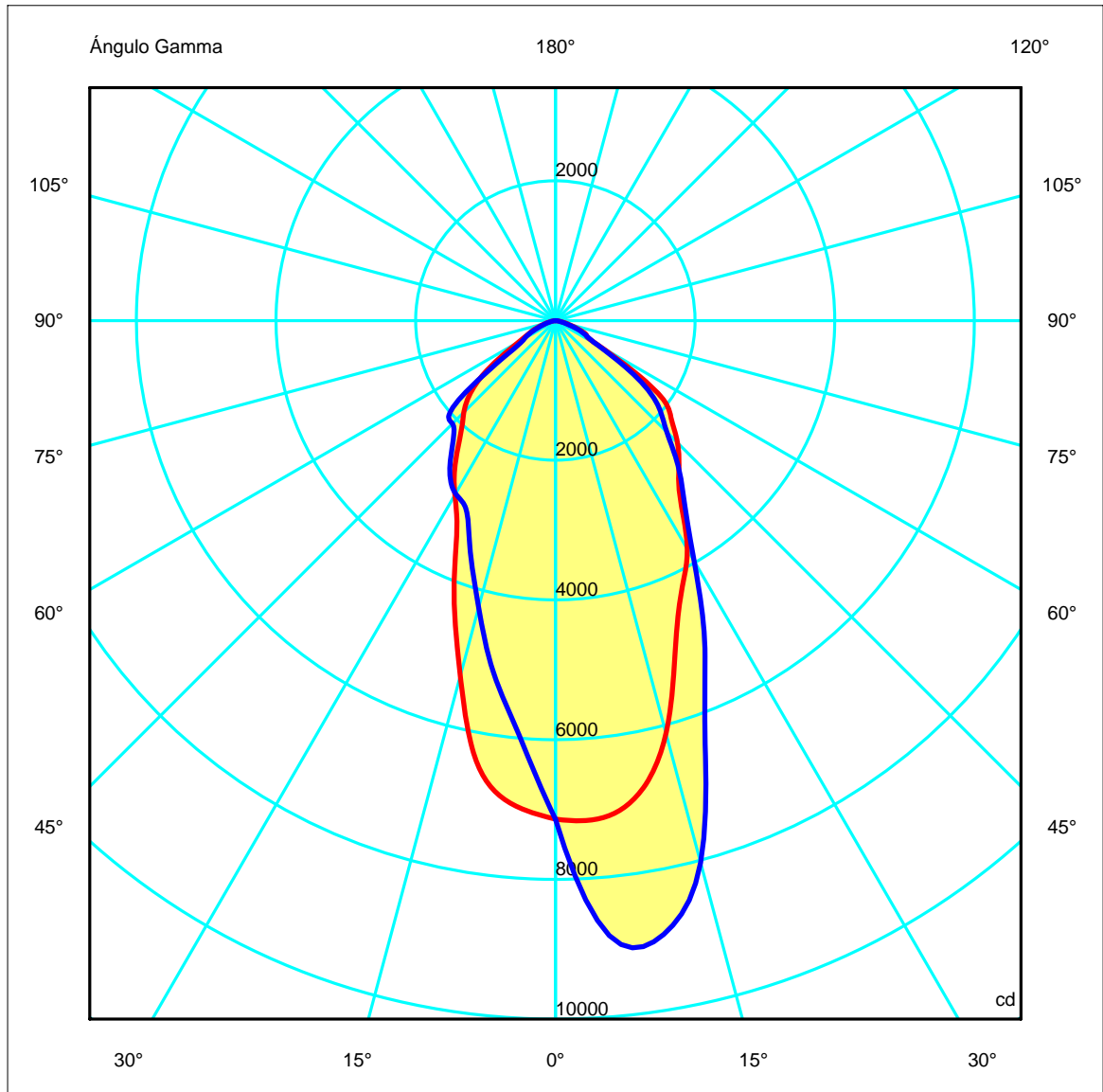
Luminaria		Ensayo		Lámpara	
Código	05-9502-34-37	Código	05-9474-A	Código	HCIT150NDL
Nombre	Proyector 150W HID R. Mate	Nombre	Proyector Refl Mate 70W HID	Número	1
Familia	- LEDS-C4	Fecha	29-12-2010	Posición	Universal
Eficiencia	70.06%	Sist. de Coorden.	C-G	Flujo Total	12700.00 lm
Valor Máximo	8922.21 cd	Posición	C=90.00 G=10.00		Asimétrico

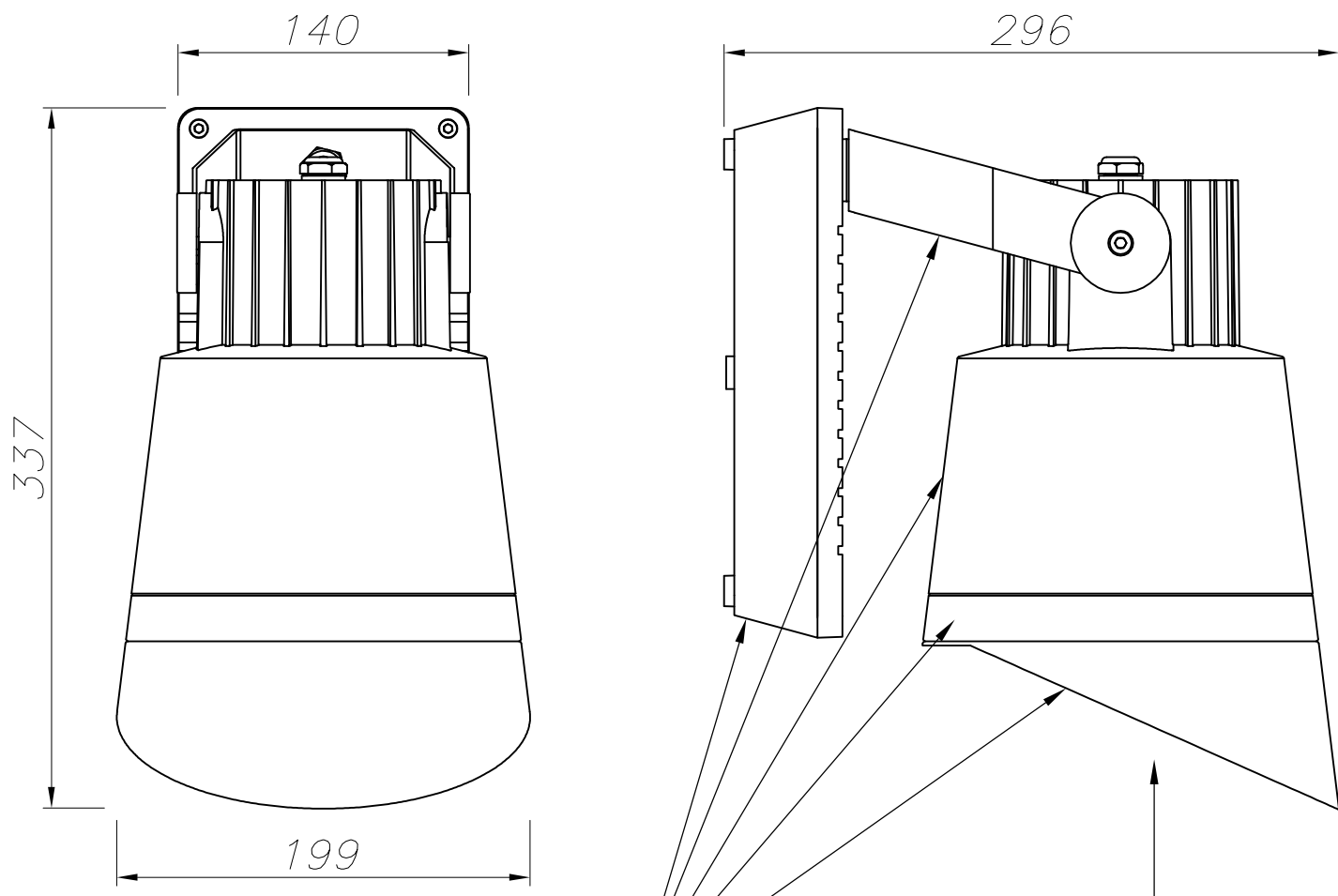
Diam=199mm

Semiplanos C



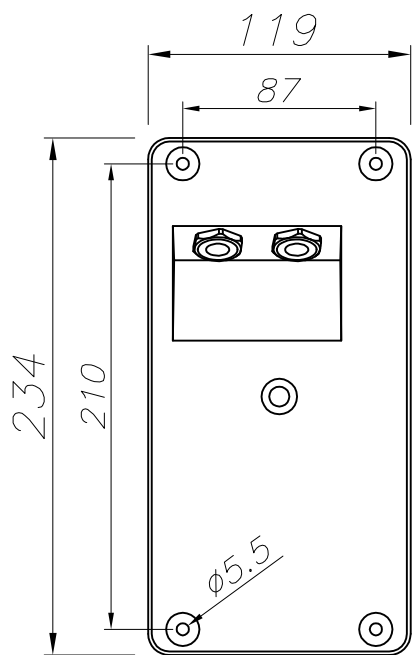
180.0 ——— 0.0
270.0 ——— 90.0





ALUMINIO DE ALTA PUREZA
HIGH QUALITY ALUMINIUM

CRISTAL TRANSPARENTE
TRANSPARENT GLASS



PLANTILLA DE INSTALACION
INSTALLATION TEMPLATE

