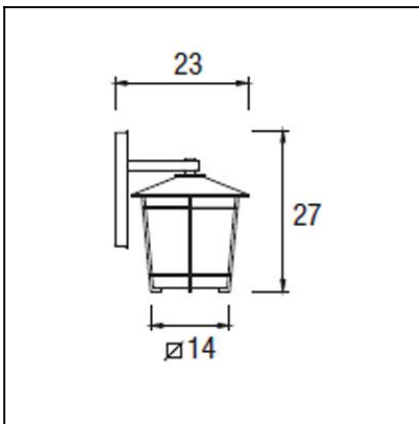


OUT 

JANNA
05-9522-18-M3



The photograph may not match the reference exactly. Please read the product description to identify the finish.



Download photometric file .ldt / .ies

TECHNICAL CHARACTERISTICS

| | |
|---------------------------------|-----------------------------|
| Type: | Wall fixture |
| IP Protection degrees: | IP23 |
| Bulb: | 6 x LED. Warm White - 3000K |
| Power (W): | 4W |
| Luminous efficacy (Lm/W): | 94 |
| Voltage / Frequency: | 100-240V/50-60Hz |
| Warranty (Years): | 2 |
| Option to extend the guarantee: | Yes, 5 years |
| Units per box: | 6 |
| Net Weight (Kg): | 0.99 |
| EAN: | 8435111084649 |



MATERIALS / FINISHES

| | | | |
|----------------------------|-----------------------|---------------------------|---------------|
| Structure material: | High purity aluminium | Diffuser material: | Polycarbonate |
| Structure finish: | Oxide brown | Diffuser finish: | Matt |

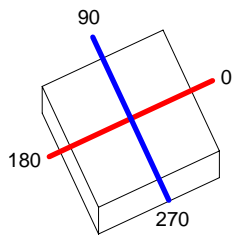
GEAR

Multi-voltage electronic gear included (110-240 V / 50-60 Hz)

| Luminaria | | Ensayo | | Lámpara | |
|----------------------------|----------------------------|-------------------------------|--------------------|-------------|---------------|
| Código | 05-9522-18-M3 | Código | 00-9522-18-M3 | Código | 00-9522-18-M3 |
| Nombre | Aplique JANNA leds 4W opal | NombreColgante | JANNA leds 4W opal | Número | 1 |
| Familia | - LEDS C4 LEDS | Fecha | 04-08-2011 | Posición | Universal |
| Rendimiento | 100.00% | Sist. de Coorden. | C-G | Flujo Total | 132.66 lm |
| Valor Máximo | 58.68 cd | Posición | C=45.00 G=15.00 | Bisimétrico | |
| Luminaria Rectangular | Longit. 200 mm | Anchura | 200 mm | Altura | 200 mm |
| Área Luminosa Rectangular | Longit. 200 mm | Anchura | 200 mm | Altura | 160 mm |
| Área Luminosa Horizontal | 0.040000 m2 | Área Emisión sobre Pl. 180° | | 0.032000 m2 | |
| Área Emisión sobre Pl. 0° | 0.032000 m2 | Área Emisión sobre Pl. 270° | | 0.032000 m2 | |
| Área Emisión sobre Pl. 90° | 0.032000 m2 | Área de deslumbramiento a 76° | | 0.040726 m2 | |
| Tipo de Simetría | Bisimétrico | Máximo Ángulo Gamma | 180 | | |
| Distancia de Ensayo | 6.44 | Flujo de Ensayo | 132.66 lm | | |
| Operador | Asselum T2 | Tensión de alimentación | 230.00 V | | |
| Temperatura | 25.00 °C | Corriente de alimentación | PRC | | |
| Humedad | 50.00 % | Fotocélula | | | |
| Notas | | | | | |

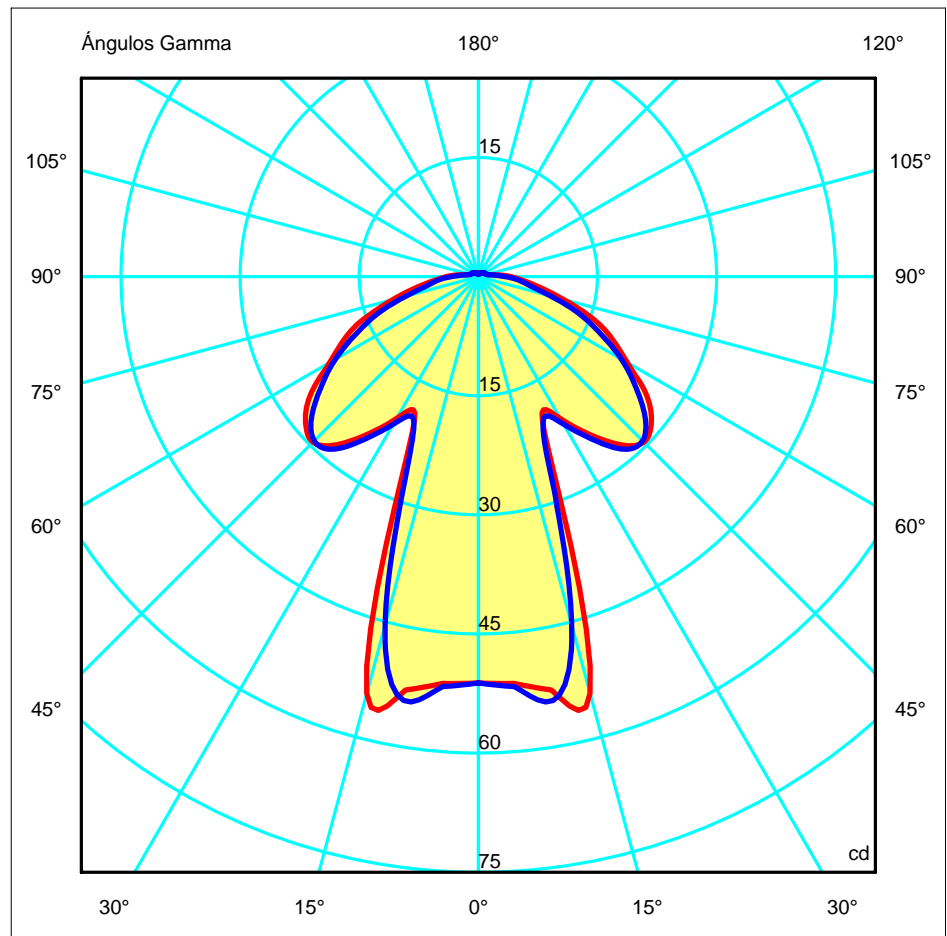
| Lámparas de la Luminaria | | | | | |
|--------------------------|-----------------|-------------|-------------------|-------|-------|
| Familia | Código | Nombre | Flujo/lm | Pot.W | Cant. |
| - LEDS C4 LEDS | 00-9522-18-M3 | Lámpara led | 132.66 | 4.00 | 1 |
| C.I.E. | 38 71 91 94 100 | D DIN 5040 | A21 | | |
| F UTE | 0.94 H + 0.06 T | B NBN | BZ 6 / 0.8 / BZ 5 | | |

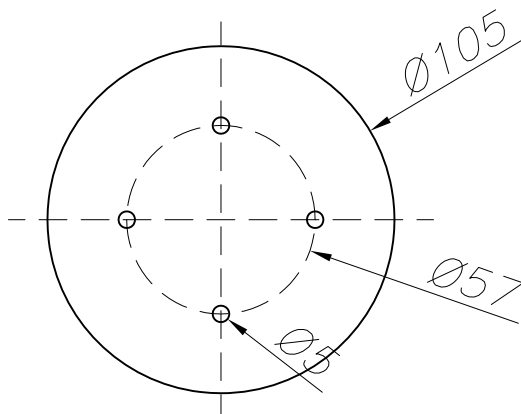
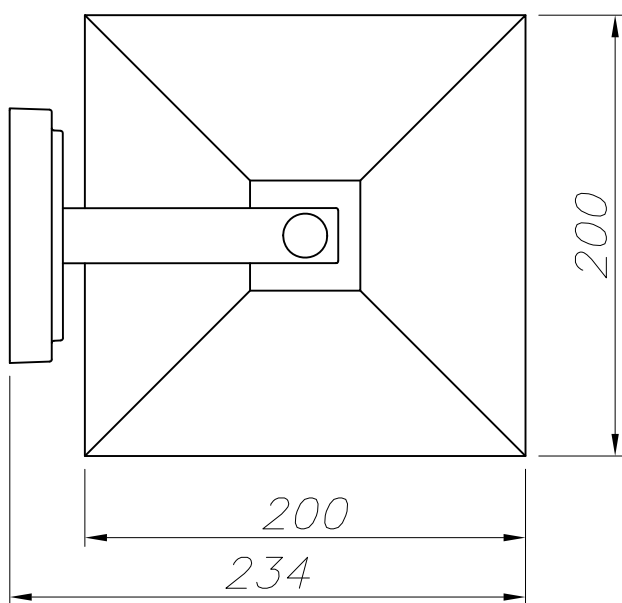
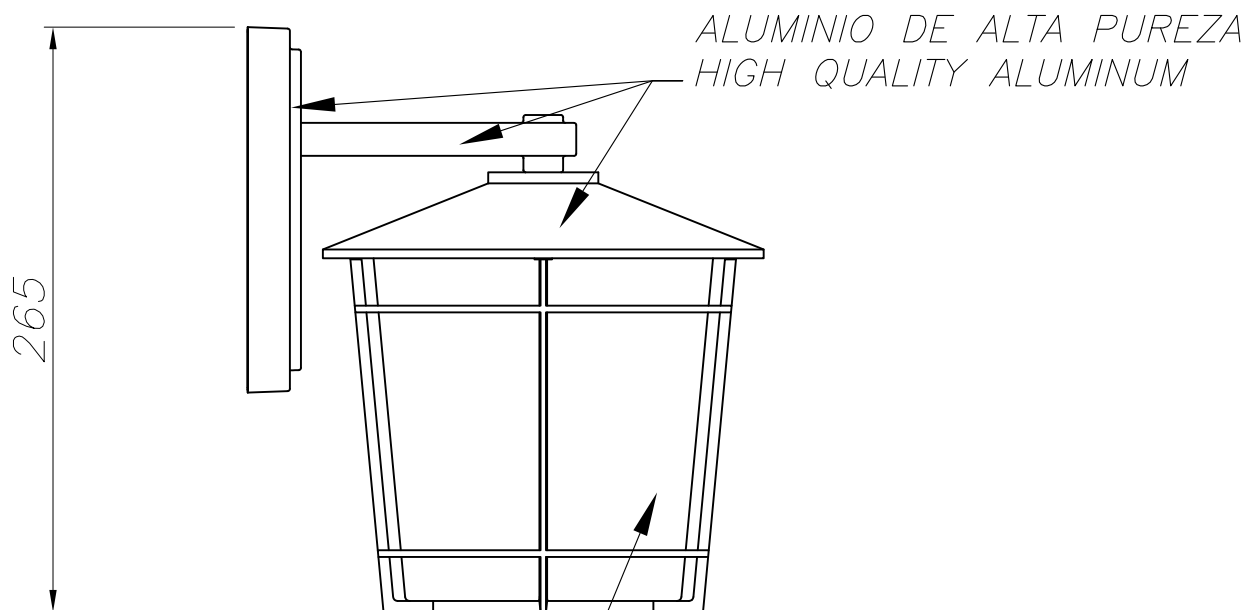
200mm x 200mm



Semiplanos C
 180.0 — 0.0
 270.0 — 90.0

ULOR 5.55 %
 DLOR 94.45 %
 RN 5.55 %





PLANTILLA DE INSTALACIÓN
INSTALLATION TEMPLATE



LED S-CU

OUTDOOR

05-9522

