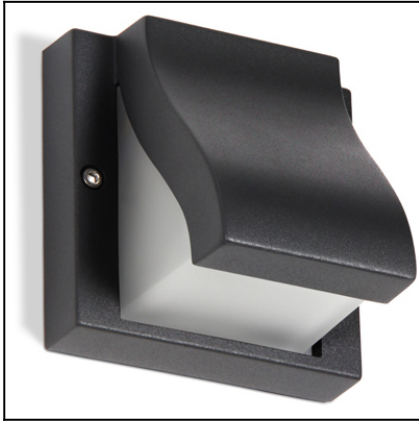
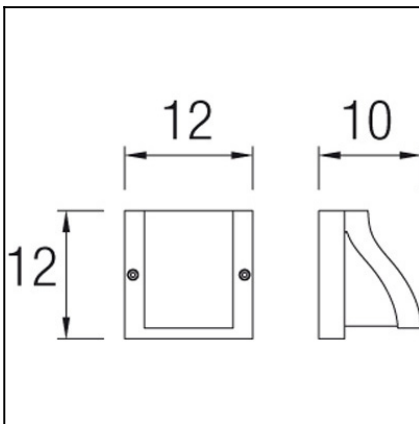


**OUT** 
**VELTMAN**  
**05-9591-Z5-B8**


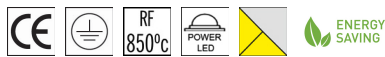
The photograph may not match the reference exactly. Please read the product description to identify the finish.



Download photometric file .ldt /.ies

**TECHNICAL CHARACTERISTICS**

Type:	Wall fixture
IP Protection degrees:	IP44
Bulb:	3 x LED Cree. Neutral white - 4000K
Power (W):	3W
Luminous efficacy (Lm/W):	122
CRI:	75
Voltage / Frequency:	100-240V/50-60Hz
Warranty (Years):	2
Option to extend the guarantee:	Yes, 5 years
Units per box:	12
Net Weight (Kg):	0.655
EAN:	8435111088807

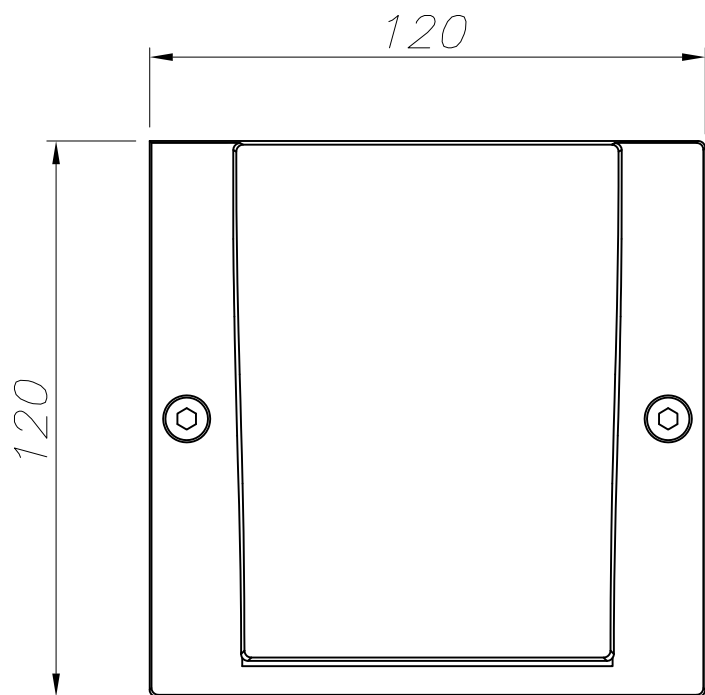

**MATERIALS / FINISHES**

**Structure material:** Injected aluminium  
**Structure finish:** Urban grey

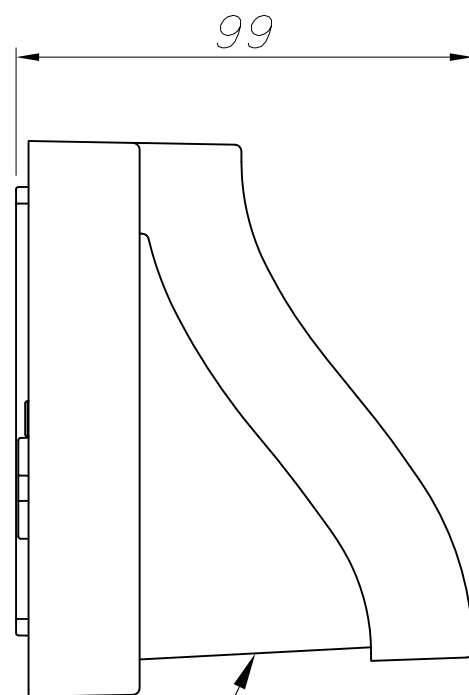
**Diffuser material:** Glass  
**Diffuser finish:** Matt

**GEAR**

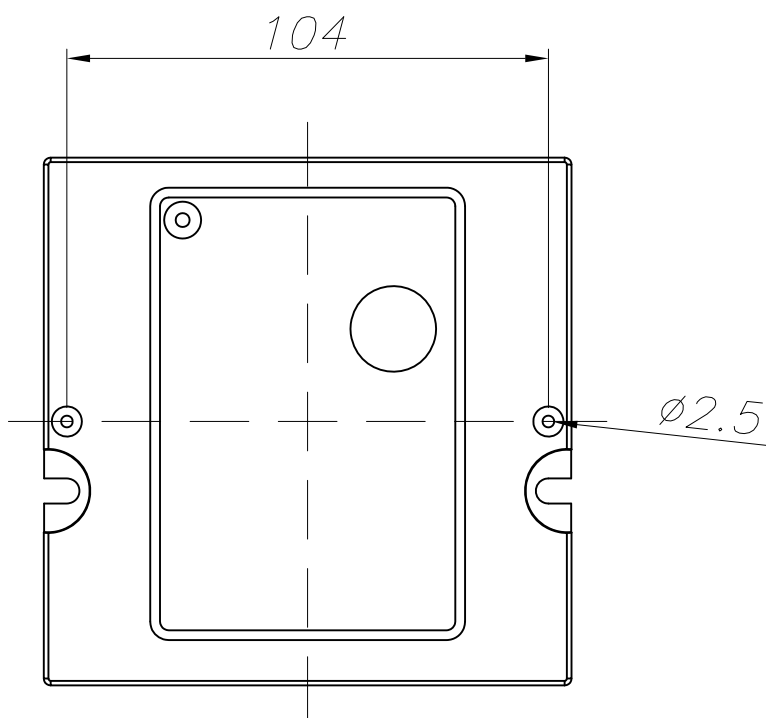
Multi-voltage electronic gear included (110-240 V / 50-60 Hz)



ALUMINIO INYECTADO  
INJECTED ALUMINIUM



CRISTAL MATE  
MATT GLASS



PLANTILLA DE INSTALACIÓN  
INSTALLATION TEMPLATE

