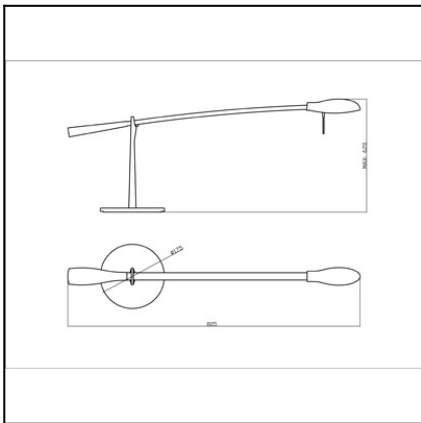


Design by Benedito Design

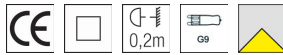

The photograph may not match the reference exactly. Please read the product description to identify the finish.



[Download photometric file .ldt / .ies](#)

TECHNICAL CHARACTERISTICS

Type:	Table lamp
IP Protection degrees:	IP20
Lampholder:	1 x G9
Power (W):	G9 MAX 60W
Bulb included:	1 x G9 60W
Total power consumption (W):	60
Voltage / Frequency:	220-240V/50-60Hz
Warranty (Years):	2
Units per box:	1
Net Weight (Kg):	3.44
EAN:	8435111034385,00

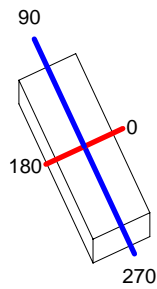

MATERIALS / FINISHES

Structure material: Aluminium
Steel

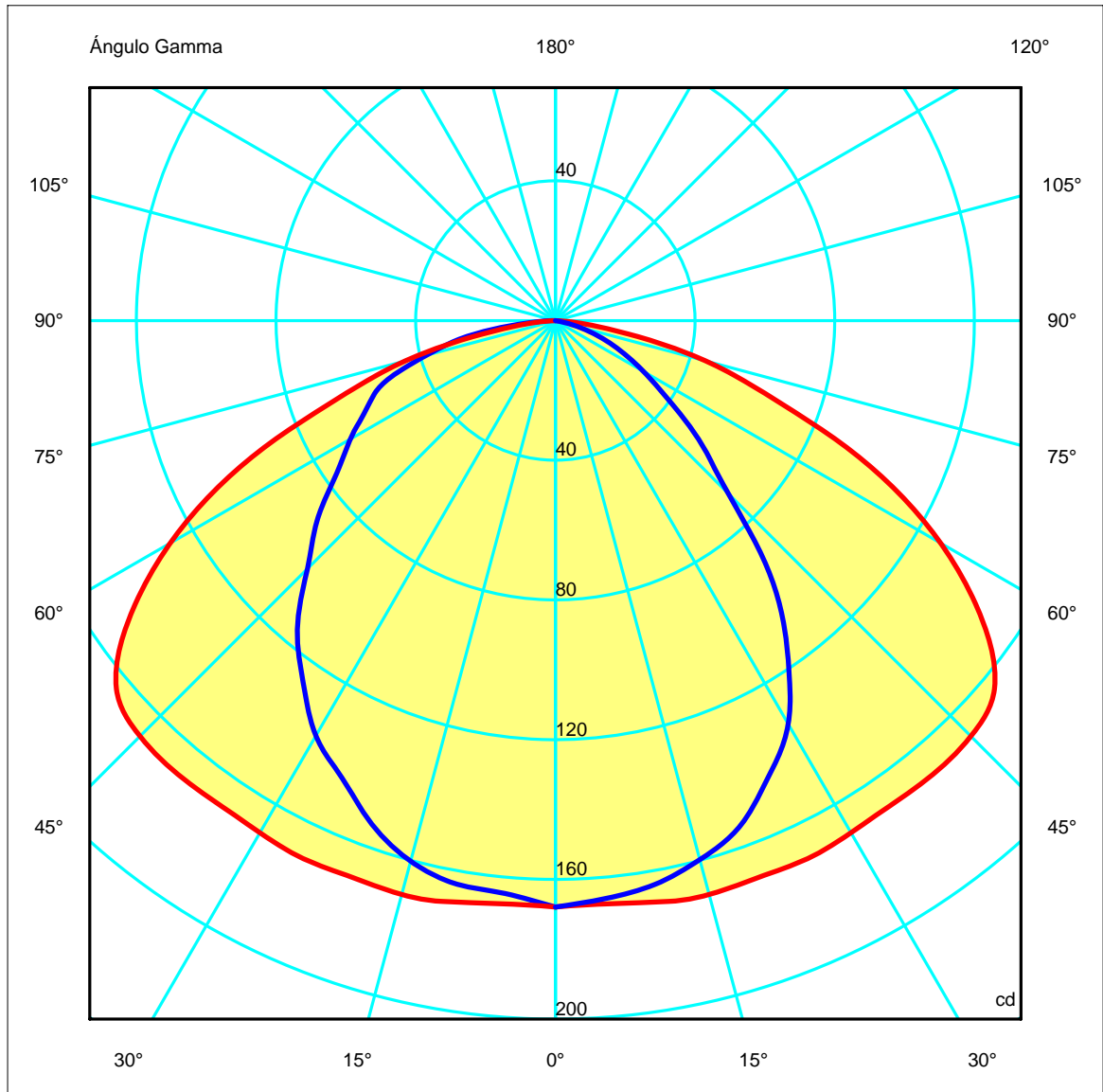
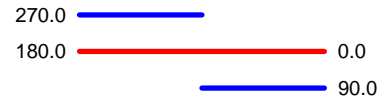
Structure finish: Chrome

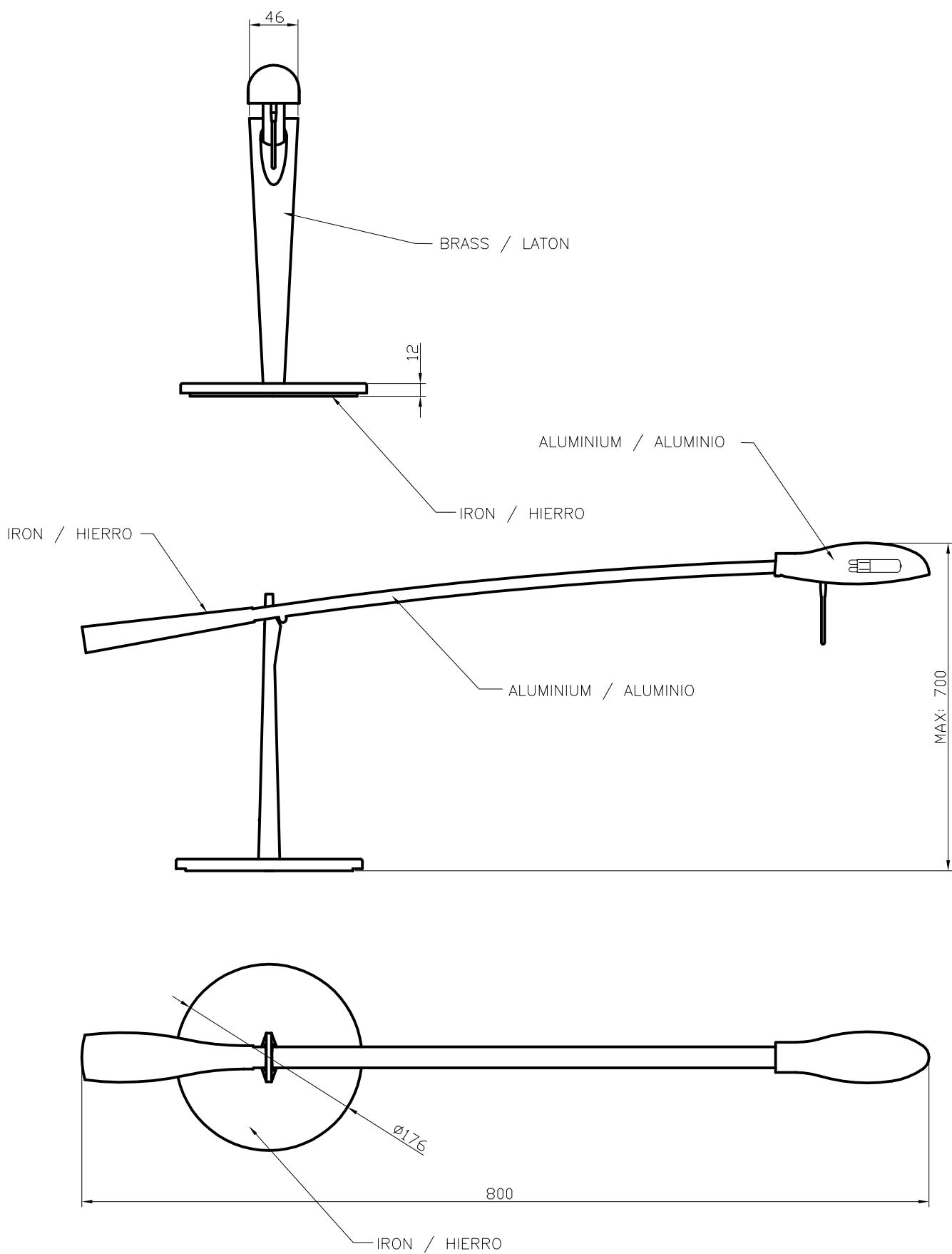
Luminaria		Ensayo		Lámpara	
Código	10-0080-21-21	Código	10-0080-21-21	Código	66660AM
Nombre	Sobremesa OFFICE 60W G9 cromo	NombreSobremesa	OFFICE 60W G9 halog.	Número	1
Familia	- LEDS-C4	Fecha	22-09-2010	Posición	Universal
Eficiencia	67.54%	Sist. de Coorden.	C-G	Flujo Total	790.00 lm
Valor Máximo	170.93 cd	Posición	C=345.00 G=20.00	Sim. en los planos	270-90

140mm x 50mm

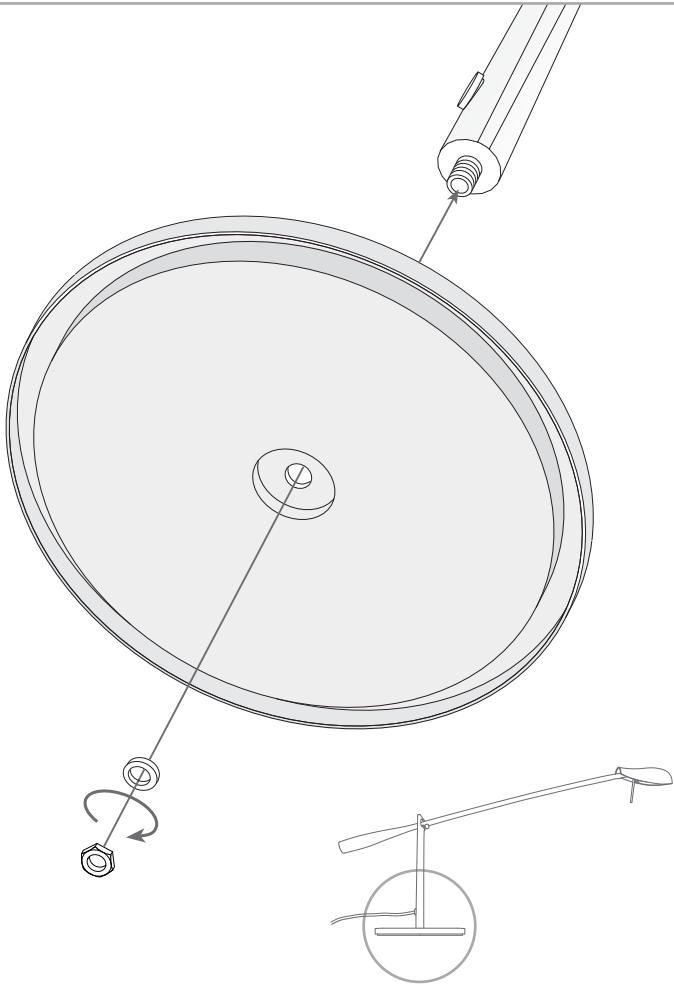


Semiplanos C

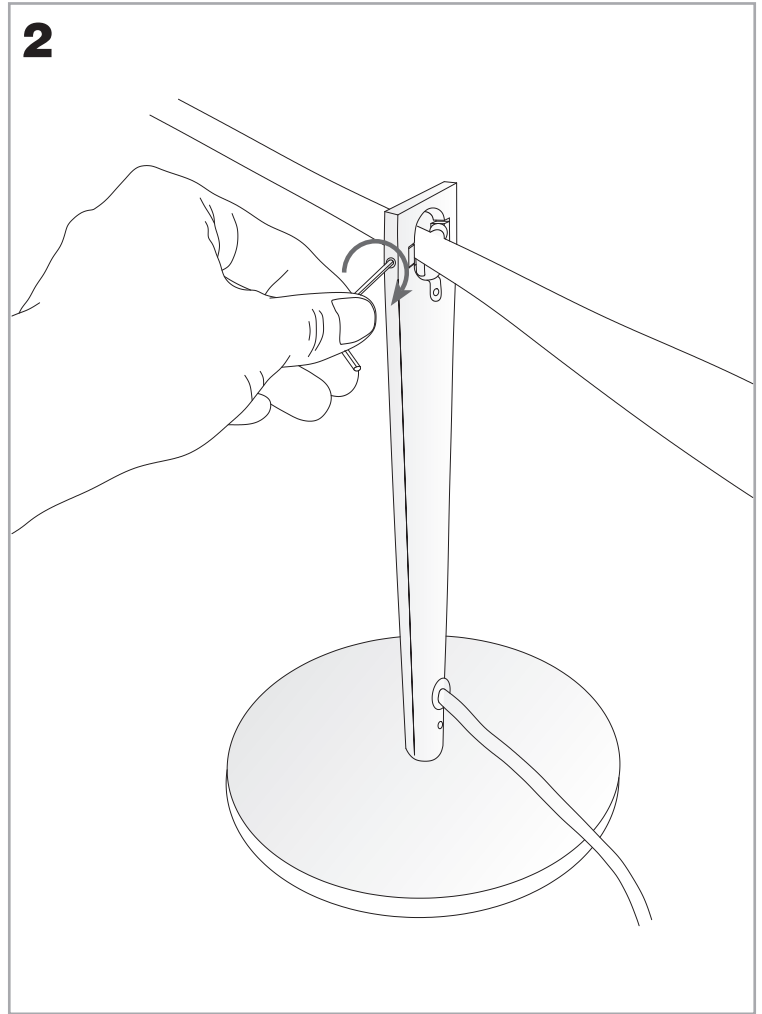




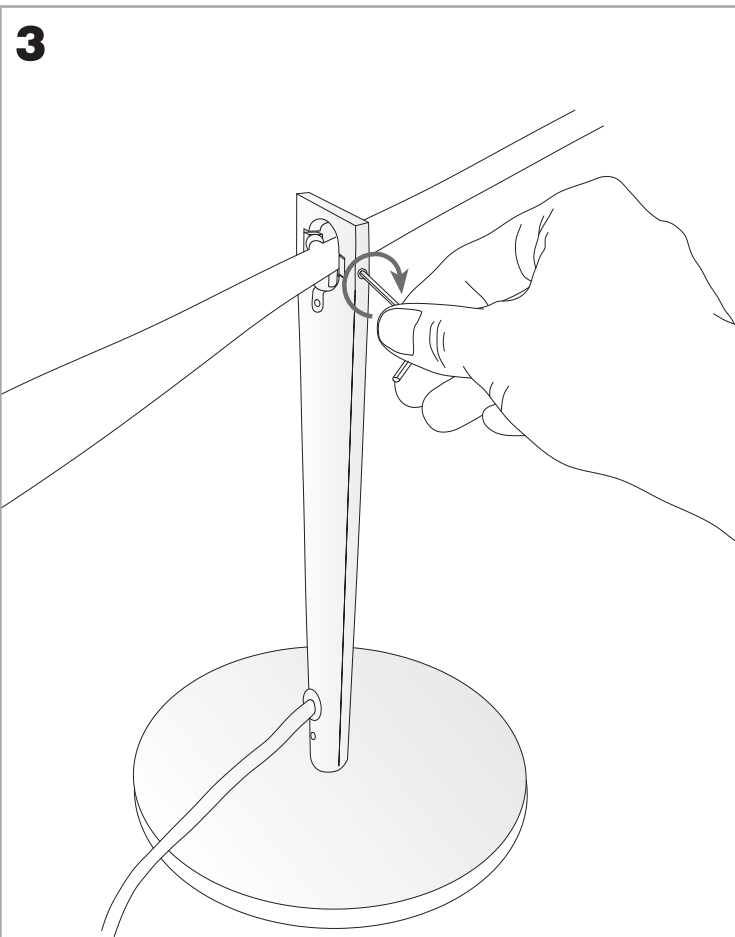
1



2



3



4

