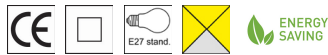




The photograph may not match the reference exactly. Please read the product description to identify the finish.

TECHNICAL CHARACTERISTICS

Type:	Table lamp
IP Protection degrees:	IP20
Lampholder:	1 x E27
Power (W):	E27 MAX 100W
Total power consumption (W):	100
Voltage / Frequency:	220-240V/50-60Hz
Warranty (Years):	2
Units per box:	4
Net Weight (Kg):	1.78
EAN:	8435381401221,00



Download photometric file .ldt /.ies

MATERIALS / FINISHES

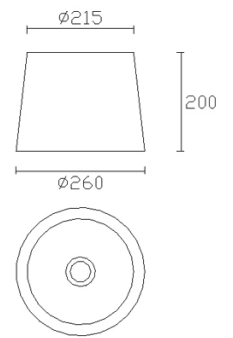
Structure material: Steel
Wenge-colored finish

Structure finish: Chrome

PAN-161-14


Structure material: Steel
Structure finish: White

Diffuser material: Fabric shade
Diffuser finish: White

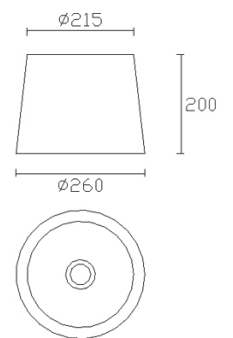


IP20

PAN-161-BY


Structure material: Steel
Structure finish: White

Diffuser material: Fabric shade
Diffuser finish: Sandblasted

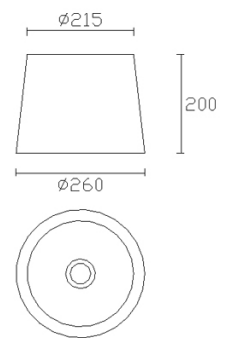


IP20

PAN-162-J6


Structure material: Steel
Structure finish: White

Diffuser material: Fabric shade
Diffuser finish: Brown

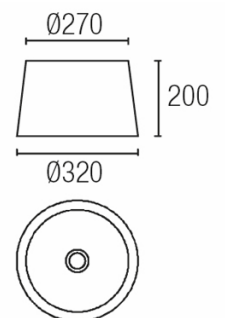


IP20

PAN-184-BY


Structure material: Steel
Structure finish: White

Diffuser material: Fabric shade
Diffuser finish: Sandblasted

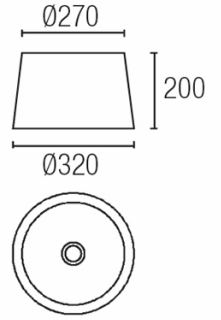


IP20

PAN-184-14



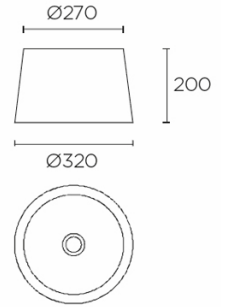
Structure material: Steel
Structure finish: White
Diffuser material: Fabric shade
Diffuser finish: White



PAN-185-J6



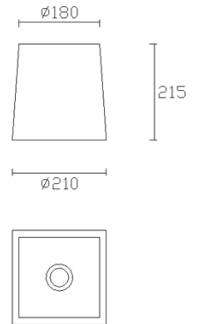
Structure material: Steel
Diffuser material: Fabric shade
Diffuser finish: Brown



PAN-180-14



Structure material: Steel
Structure finish: White
Diffuser material: Fabric shade
Diffuser finish: White

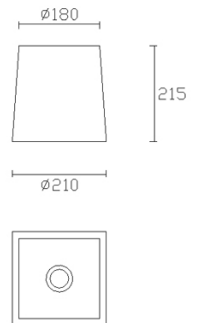


IP20

PAN-180-BY



Structure material: Steel
Structure finish: White
Diffuser material: Fabric shade
Diffuser finish: Sandblasted

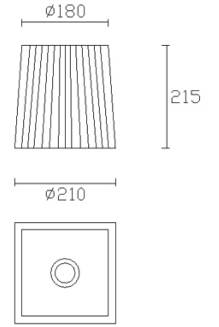


IP20

PAN-188-20



Structure material: Steel
Structure finish: White
Diffuser material: Fabric shade
Diffuser finish: Beige

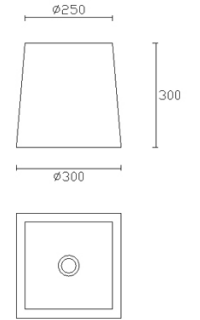


IP20

PAN-181-14



Structure material: Steel
Structure finish: White
Diffuser material: Fabric shade
Diffuser finish: White

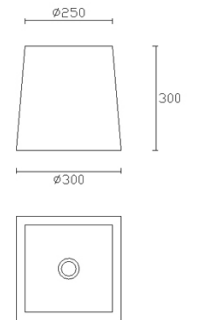


IP20

PAN-181-BY



Structure material: Steel
Structure finish: White
Diffuser material: Fabric shade
Diffuser finish: Sandblasted

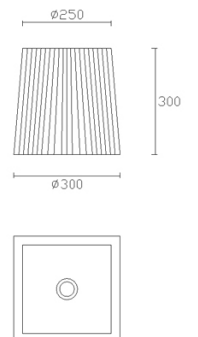


IP20

PAN-189-20



Structure material: Steel
Structure finish: White
Diffuser material: Fabric shade
Diffuser finish: Beige



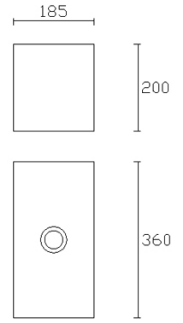
IP20

PAN-182-BY



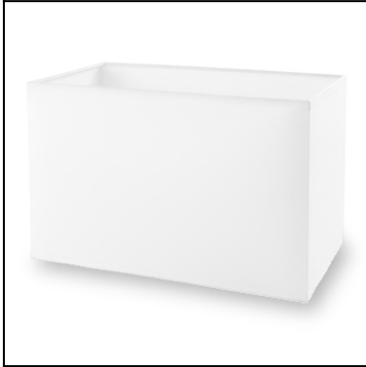
Structure material: Steel
Structure finish: White

Diffuser material: Fabric shade
Diffuser finish: Sandblasted



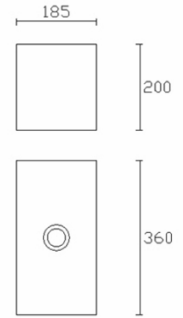
IP20

PAN-182-14

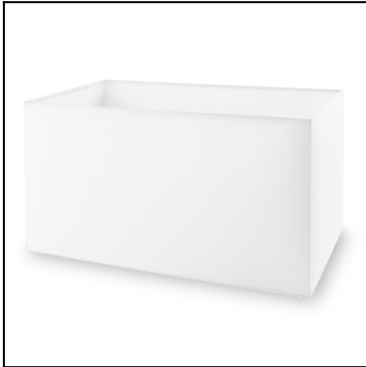


Structure material: Steel
Structure finish: White

Diffuser material: Fabric shade
Diffuser finish: White

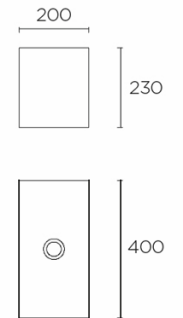


PAN-183-14



Structure material: Steel
Structure finish: White

Diffuser material: Fabric shade
Diffuser finish: White

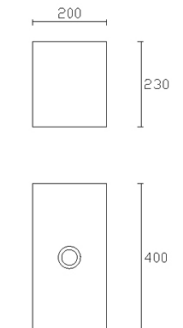


PAN-183-BY



Structure material: Steel
Structure finish: White

Diffuser material: Fabric shade
Diffuser finish: Sandblasted



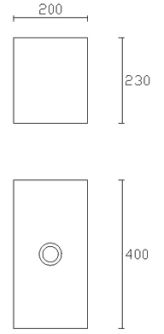
IP20

PAN-183-T001

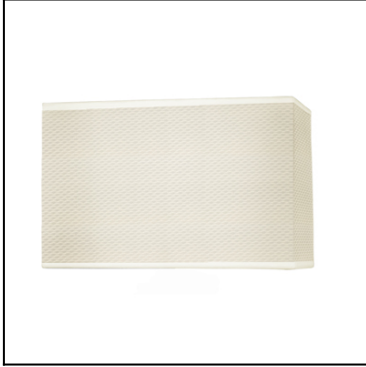


Structure material: Steel
Structure finish: White

Diffuser material: Fabric shade
Diffuser finish: Beige

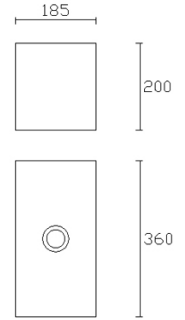


PAN-182-T001



Structure material: Steel
Structure finish: White

Diffuser material: Fabric shade
Diffuser finish: Beige



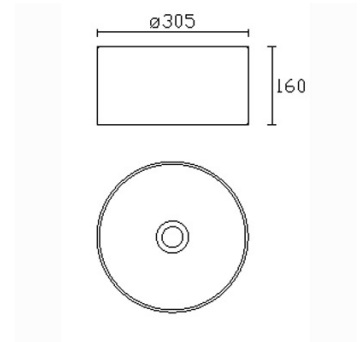
IP20

PAN-220-V7



Structure material: Steel
Structure finish: Brown

Diffuser material: PVC
Diffuser finish: Antique copper



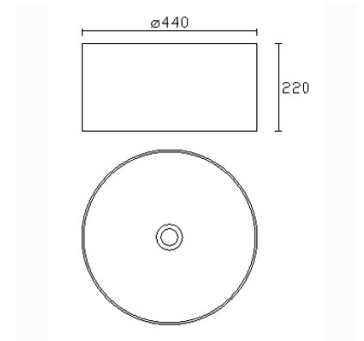
IP20

PAN-221-V7



Structure material: Steel
Structure finish: Brown

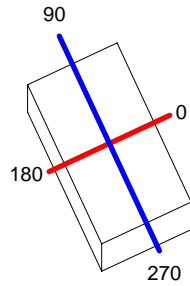
Diffuser material: PVC
Diffuser finish: Antique copper



IP20

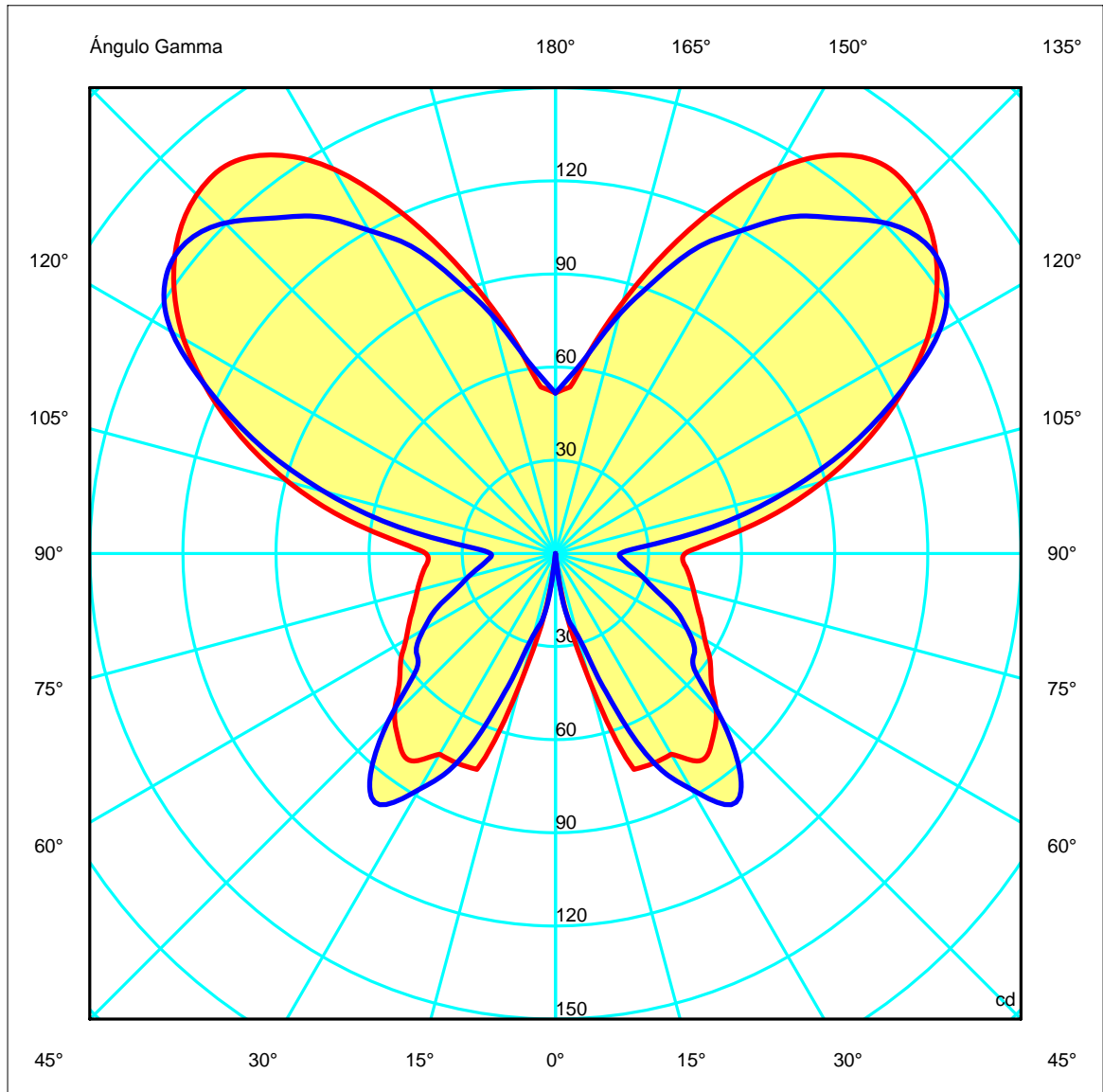
Luminaria		Ensayo		Lámpara	
Código	10-2825-21-14	Código	10-2825-21-14	Código	PL ELECT pro20W/827
Nombre	Sobremesa DEVON 20W PL tela	Nombre	Sobremesa DEVON 20W PL E27 tela	Número	1
Familia	- LEDS-C4	Fecha	27-09-2010	Posición	Universal
Eficiencia	90.04%	Sist. de Coorden.	C-G	Flujo Total	1200.00 lm
Valor Máximo	177.92 cd	Posición	C=45.00 G=135.00		Bisimétrico

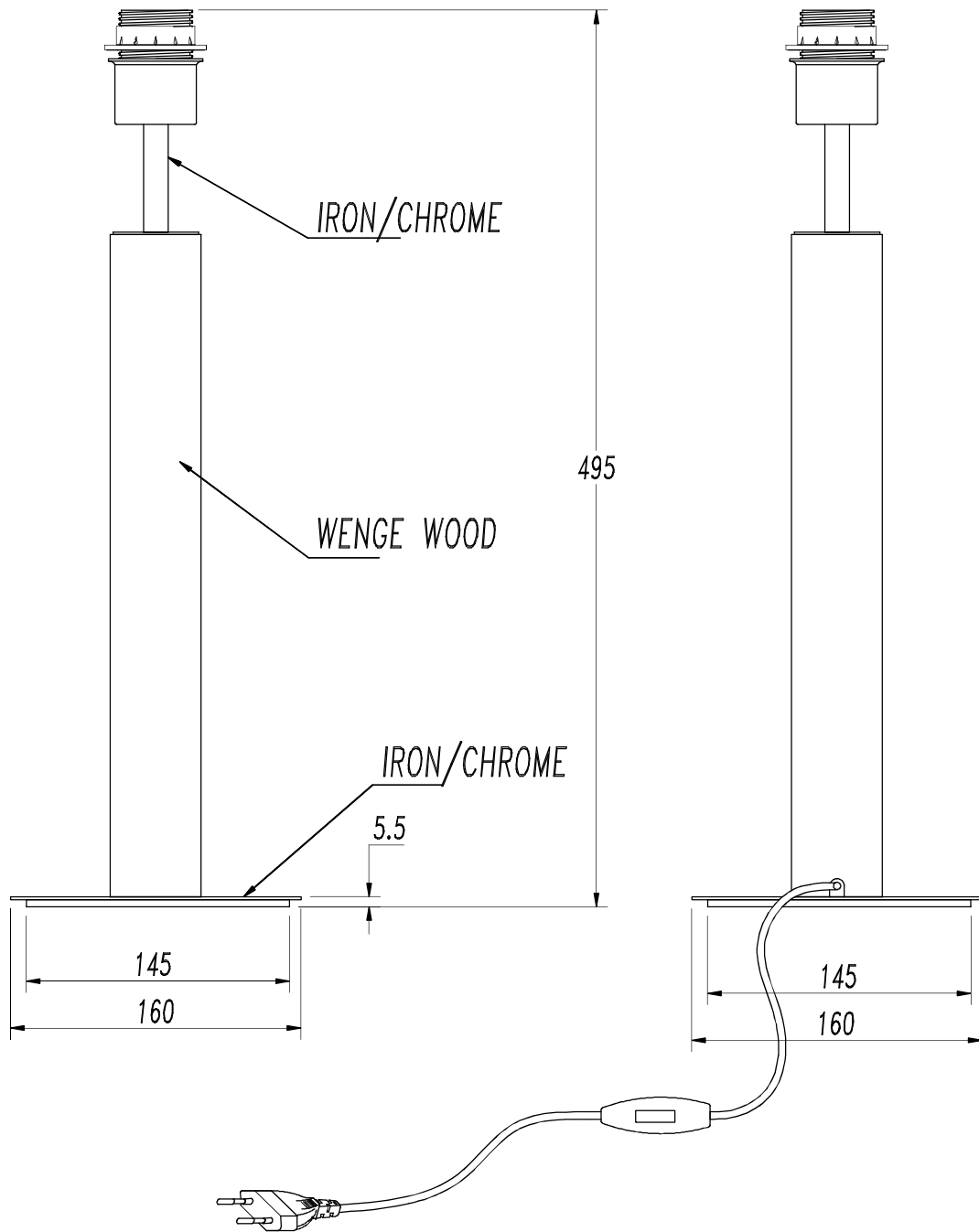
320mm x 180mm



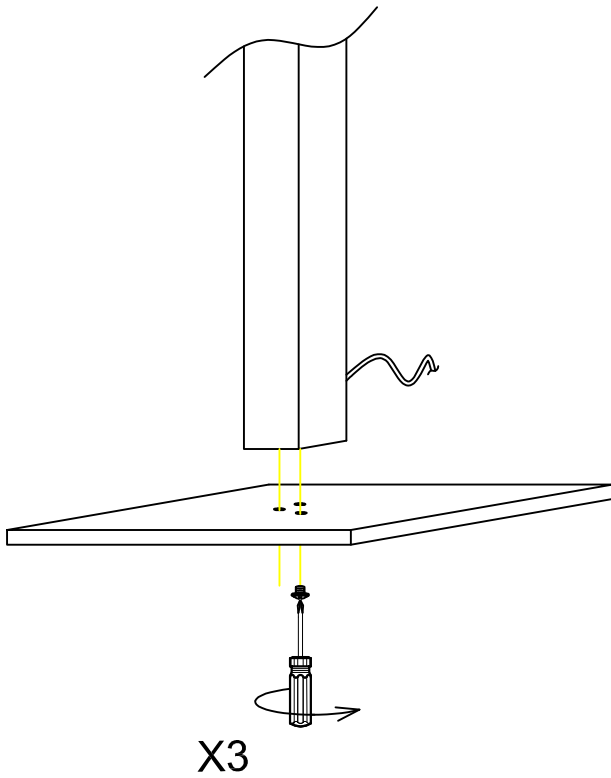
Semiplanos C

180.0 ——— 0.0
270.0 ——— 90.0

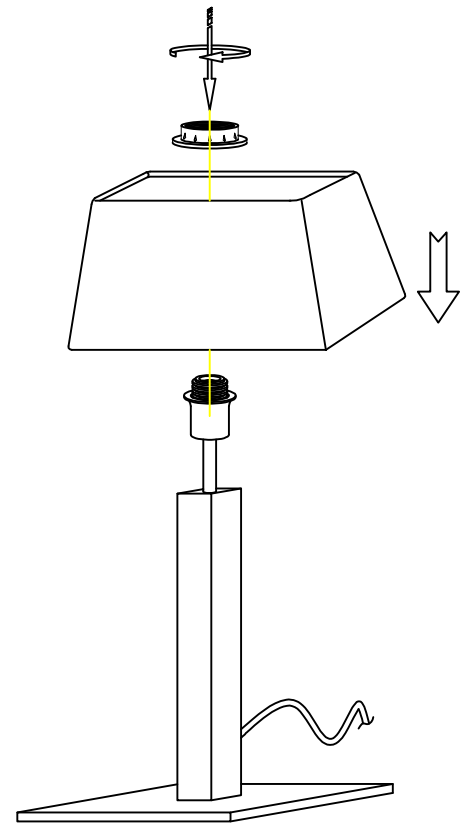




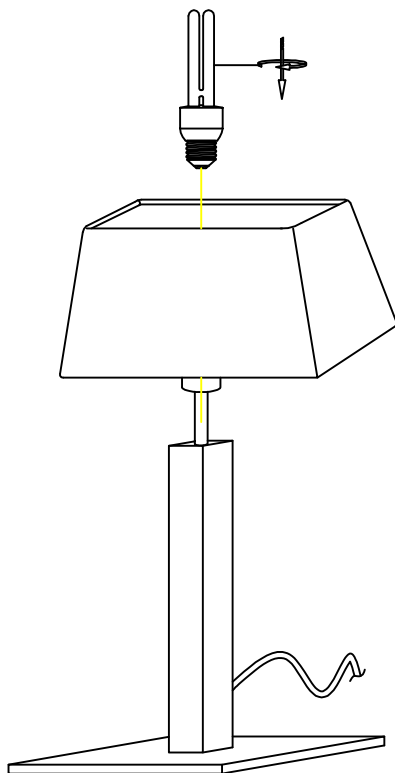
1



2



3



4

