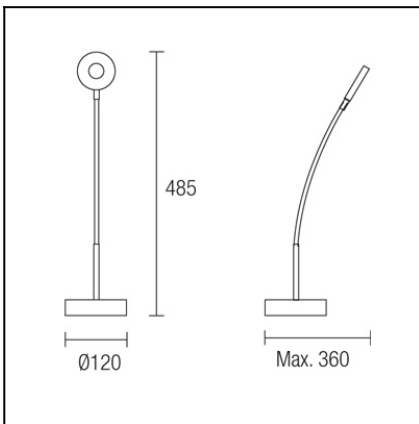
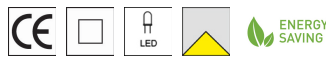




The photograph may not match the reference exactly. Please read the product description to identify the finish.


**TECHNICAL CHARACTERISTICS**

Type:	Table lamp
IP Protection degrees:	IP20
Bulb:	30 x LED. Cold white (> 5000 K)
Power (W):	2,5
Luminous efficacy (Lm/W):	110
Voltage / Frequency:	100-240V/50-60Hz
Warranty (Years):	2
Option to extend the guarantee:	Yes, 5 years
Units per box:	2
Net Weight (Kg):	0.9
EAN:	8435111066478,00
Stability:	>15°


**MATERIALS / FINISHES**

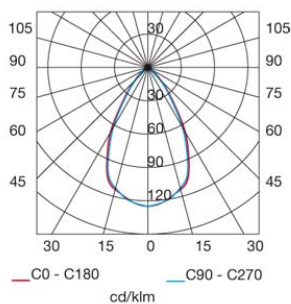
**Structure material:** Steel

**Structure finish:** Satin nickel

**GEAR**

Multi-voltage electronic gear included (110-240 V / 50-60 Hz)

Llit collection



Download photometric file .ldt / .ies

<b>Luminaria</b>		<b>Ensayo</b>		<b>Lámpara</b>	
Código	10-2842-81-81	Código	10-2842-81-81	Código	LAMP 446-NS
Nombre	Sobremesa 30 leds 2.2W	Nombre	Sobremesa 30 leds 2.2W	Número	1
Familia	- LEDS C4 LEDS	Fecha	12-03-2010	Posición	Universal
Eficiencia	100.00%	Sist. de Coorden.	C-G	Flujo Total	132.59 lm
Valor Máximo	125.07 cd	Posición	C=0.00 G=0.00	Bisimétrico	

Diam=75mm

Semiplanos C

180.0 ——— 0.0  
270.0 ——— 90.0

