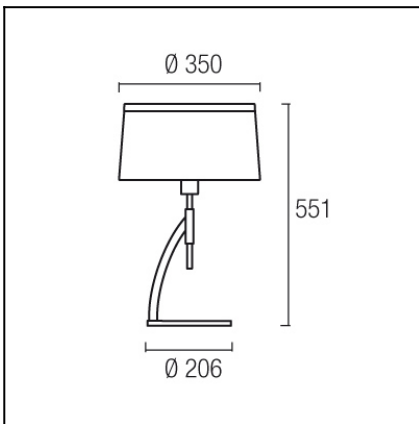


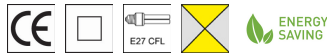


The photograph may not match the reference exactly. Please read the product description to identify the finish.



TECHNICAL CHARACTERISTICS

Type:	Table lamp
IP Protection degrees:	IP20
Lampholder:	1 x E27
Power (W):	E27 16
Total power consumption (W):	16
Voltage / Frequency:	230V/50-60Hz
Warranty (Years):	2
Units per box:	1
Net Weight (Kg):	2.77
EAN:	8435111073292,00
Stability:	>15°



MATERIALS / FINISHES

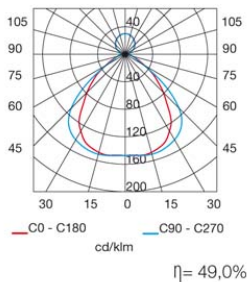
Structure material: Steel

Diffuser material: Fabric shade
Acrylic

Structure finish: Chrome
Urban grey

Diffuser finish: Black
Bright opal

10-4339-21-05
PL E-27 14W

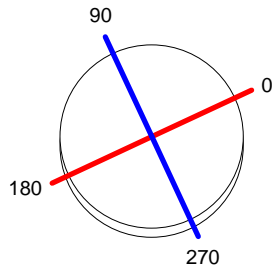


Download photometric file .ldt / .ies

Luminaire		Measur.		Lamp	
Code	10-4339-21-05	Code	10-4339-21-05	Code	PL ELEC14W/827 E27
Name	Sobremesa VIRGINIA 14W PL E27	Name	Sobremesa VIRGINIA 14W PL E27	Number	1
Line	- LEDS-C4	Date	14-12-2013	Position	Universal
Efficiency	52.12%	Coordinate system	CG	Total Flux	900.00 lm
Maximum value	103.50 cd	Position	C=0.00 G=135.00	Double Symmetrical	
Round Luminaire	Diam.	350 mm	Height	190 mm	
Round Luminous Area	Diam.	350 mm	Height	190 mm	
Horizontal Luminous Area	0.096211 m2	Emitting area on Plane 180°	0.066500 m2		
Emitting area on Plane 0°	0.066500 m2	Emitting area on Plane 270°	0.066500 m2		
Emitting area on Plane 90°	0.066500 m2	Glare area at 76°	0.087800 m2		
Symmetry Type	Double Symmetrical	Maximum Gamma Angle	180		
Measurement Distance	6.44	Measurement Flux	917.00 lm		
Operator	Asselum T2	Source voltage	230.00 V		
Temperature	22.00 °C	Source current	PRC		
Humidity	50.00 %	Photocell			
Notes					

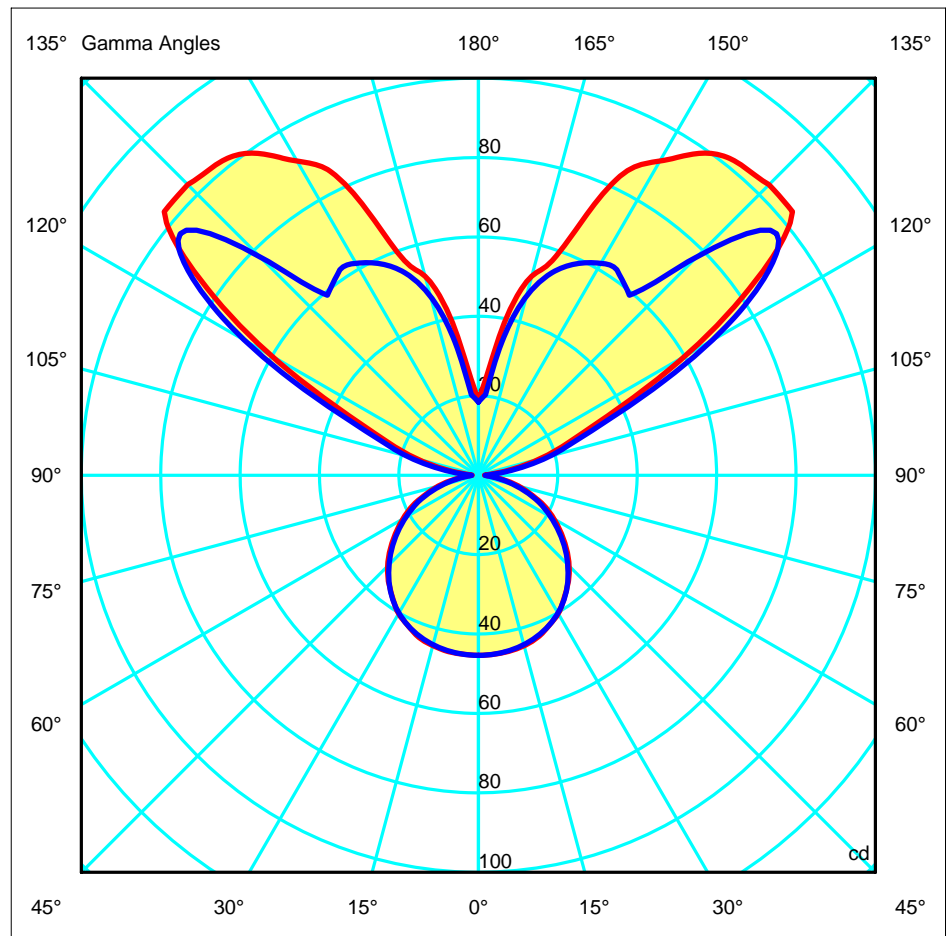
Luminaire Lamps					
Line	Code	Name	Flux [lm]	Pow. [W]	Q.ty
PHILIPS 2005 ILCOS FBT,G,C,FSQ	PL ELEC14W/827 E27	MASTER PL electr 14W/827 E27	900.00	14.00	1
C.I.E.	46 78 95 29 52	D DIN 5040	D33		
F UTE	0.15 E + 0.37 T	B NBN	BZ 5		

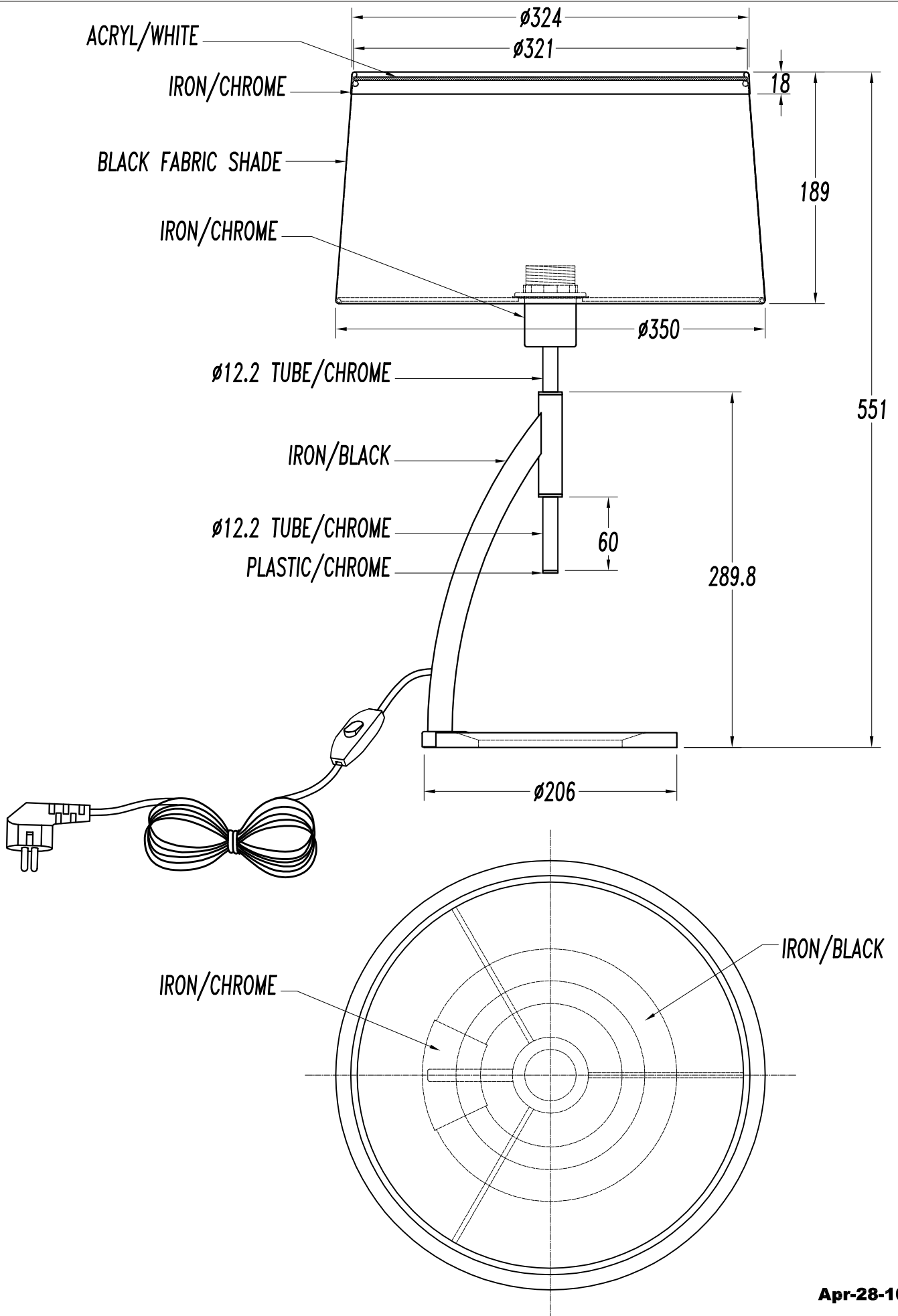
Diam=350mm



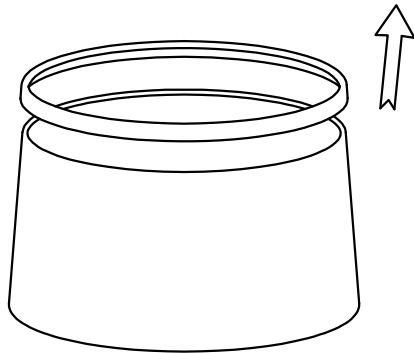
C Halfplanes
 180.0 — 0.0
 270.0 — 90.0

ULOR 37.00 %
 DLOR 15.11 %
 RN 71.00 %

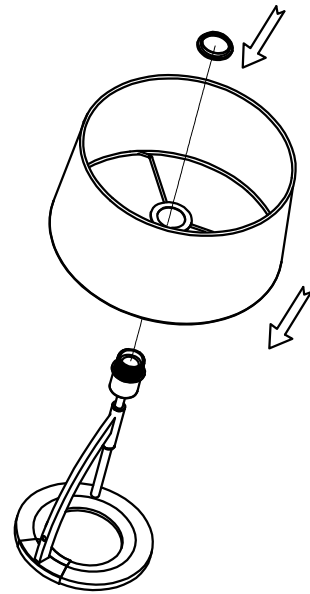




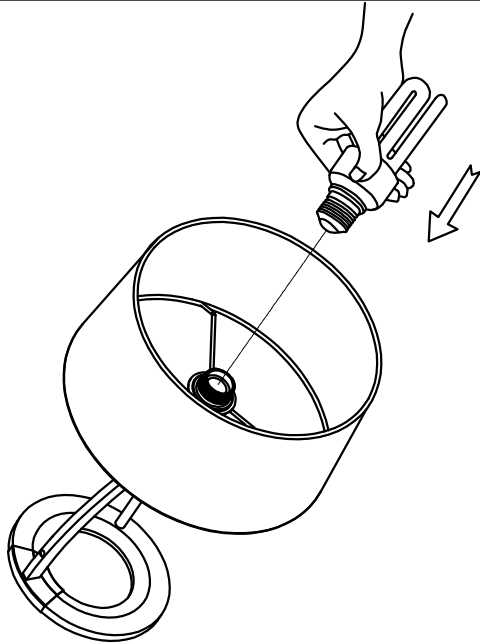
1



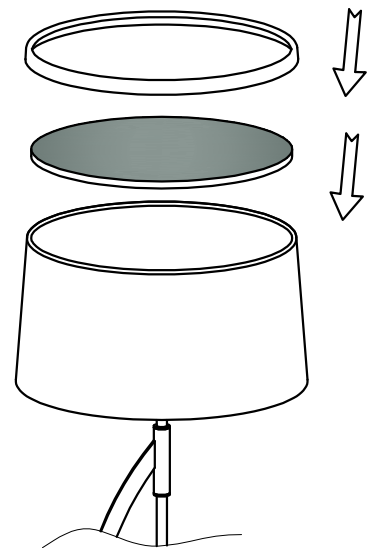
2



3



4



5

