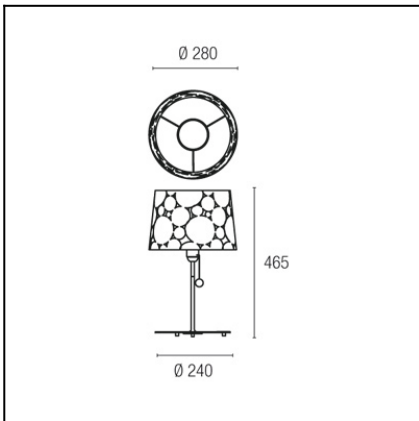


Design by Estudi Ribaudí



The photograph may not match the reference exactly. Please read the product description to identify the finish.



TECHNICAL CHARACTERISTICS

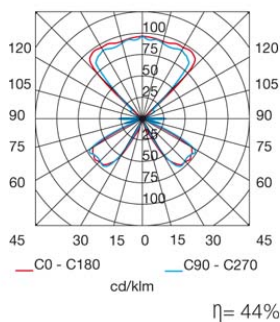
| | |
|------------------------------|------------------|
| Type: | Table lamp |
| IP Protection degrees: | IP20 |
| Lampholder: | 1 x E27 |
| Power (W): | E27 100 |
| Total power consumption (W): | 100 |
| Voltage / Frequency: | 220-240V/50-60Hz |
| Warranty (Years): | 2 |
| Units per box: | 1 |
| Net Weight (Kg): | 2.35 |
| EAN: | 8435111073889,00 |
| Stability: | 13° |



MATERIALS / FINISHES

| | | | |
|----------------------------|----------------------|---------------------------|-------------|
| Structure material: | Steel | Diffuser material: | Steel shade |
| Structure finish: | Matt white Chrome | Diffuser finish: | White |

E-27 100W

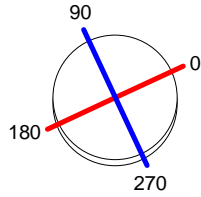


Download photometric file .ldt /.ies

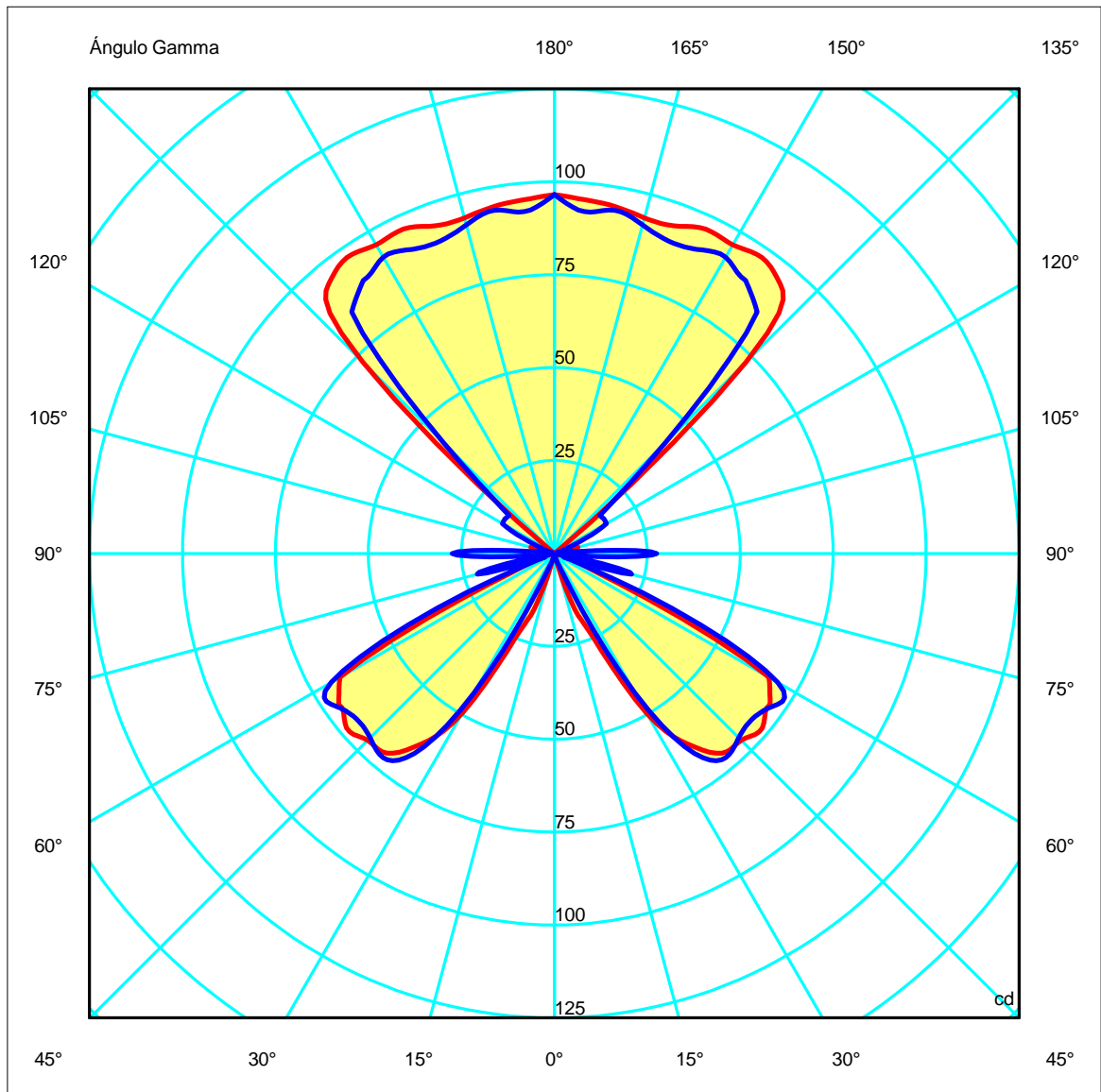
| Luminaria | | Ensayo | | Lámpara | |
|--------------|------------------------------|-------------------|------------------------------|-------------|-------------------|
| Código | 10-4343-05-05 | Código | 25-4343-05-05 | Código | STANDARD GOC 100W |
| Nombre | Sobremesa 1x100W incand. E27 | Nombre | Sobremesa 1x100W incand. E27 | Número | 1 |
| Familia | - LEDS-C4 | Fecha | 25-02-2010 | Posición | |
| Eficiencia | 44.04% | Sist. de Coordin. | C-G | Flujo Total | 930.00 lm |
| Valor Máximo | 97.27 cd | Posición | C=0.00 G=145.00 | Bisimétrico | |

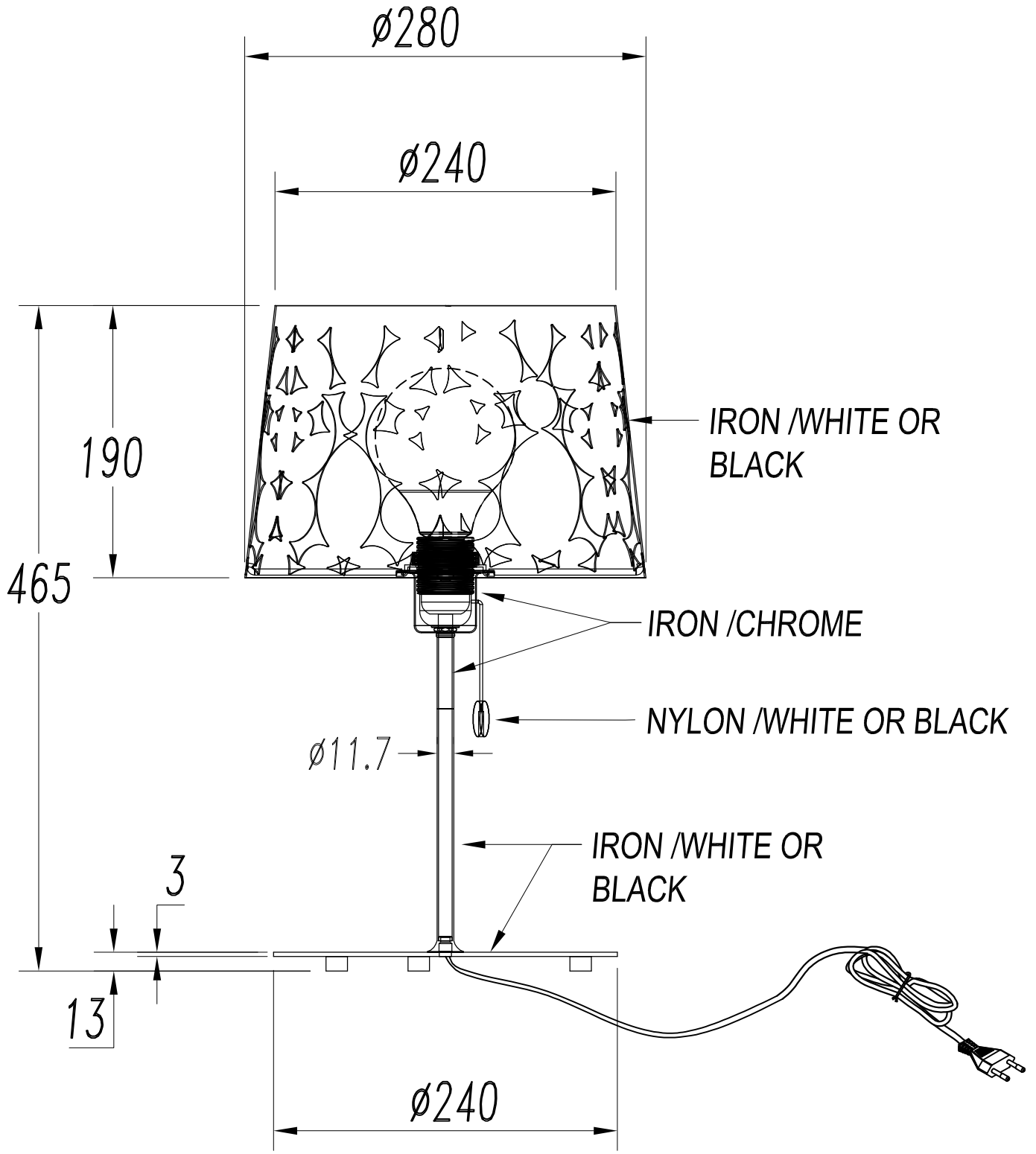
Diam=280mm

Semiplanos C

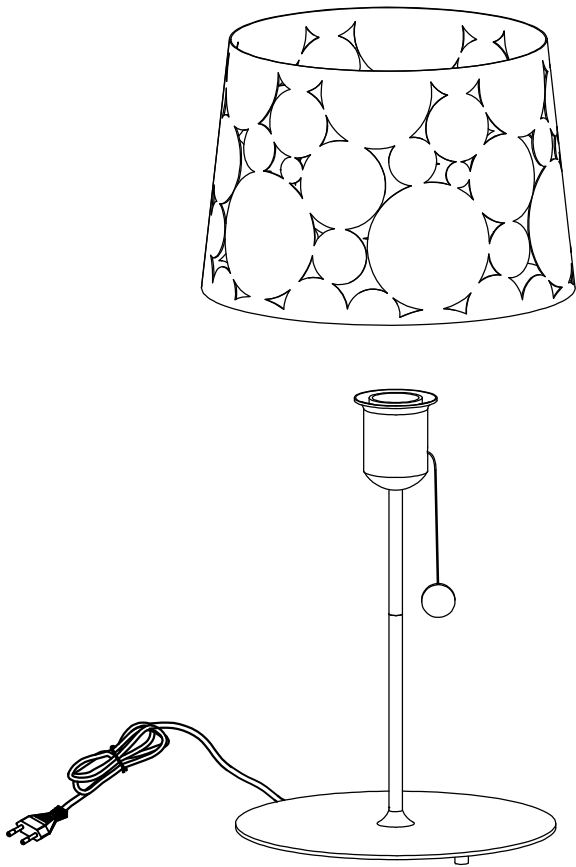


180.0 ——— 0.0
 270.0 ——— 90.0

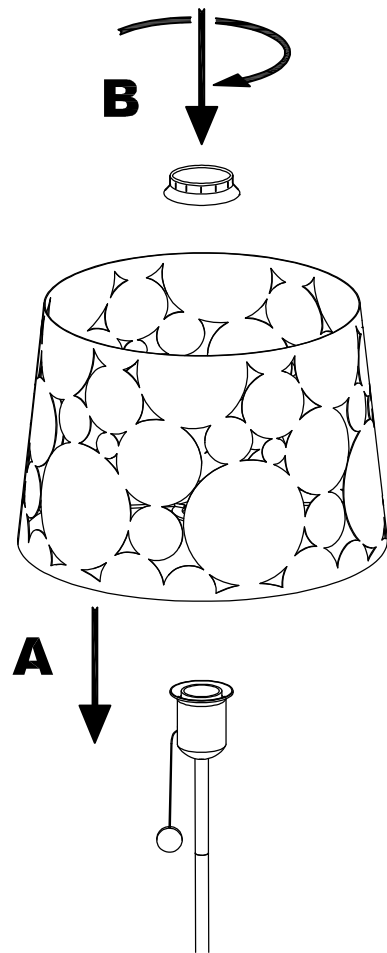




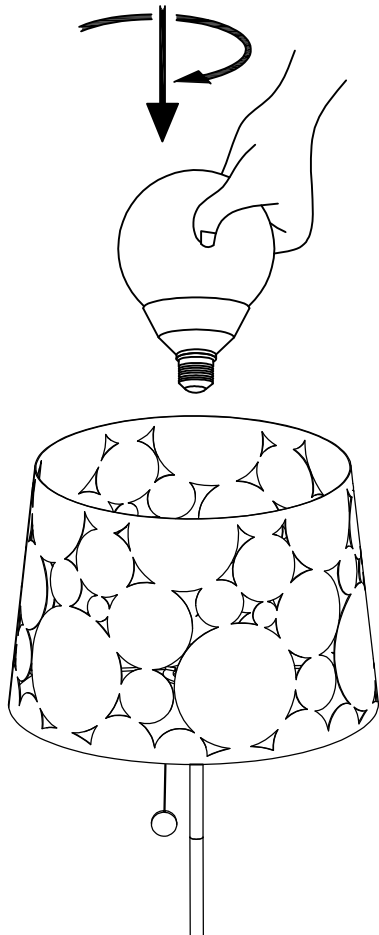
1



2



3



4

