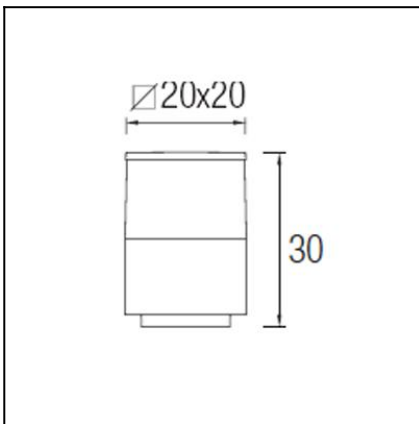


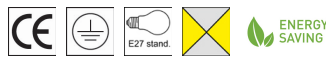


The photograph may not match the reference exactly. Please read the product description to identify the finish.



TECHNICAL CHARACTERISTICS

Type:	Lantern
IP Protection degrees:	IP54
IK Protection degrees:	IK10
Lampholder:	1 x E27
Power (W):	E27 MAX 100W
Total power consumption (W):	100
Voltage / Frequency:	230V/50-60Hz
Warranty (Years):	2
Units per box:	4
Net Weight (Kg):	2.67
EAN:	8435111076279
Stability:	>15°

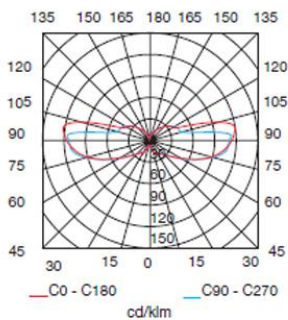


MATERIALS / FINISHES

Structure material: Injected aluminium
Structure finish: Urban grey

Diffuser material: Polycarbonate
Diffuser finish: Matt

PL 18W



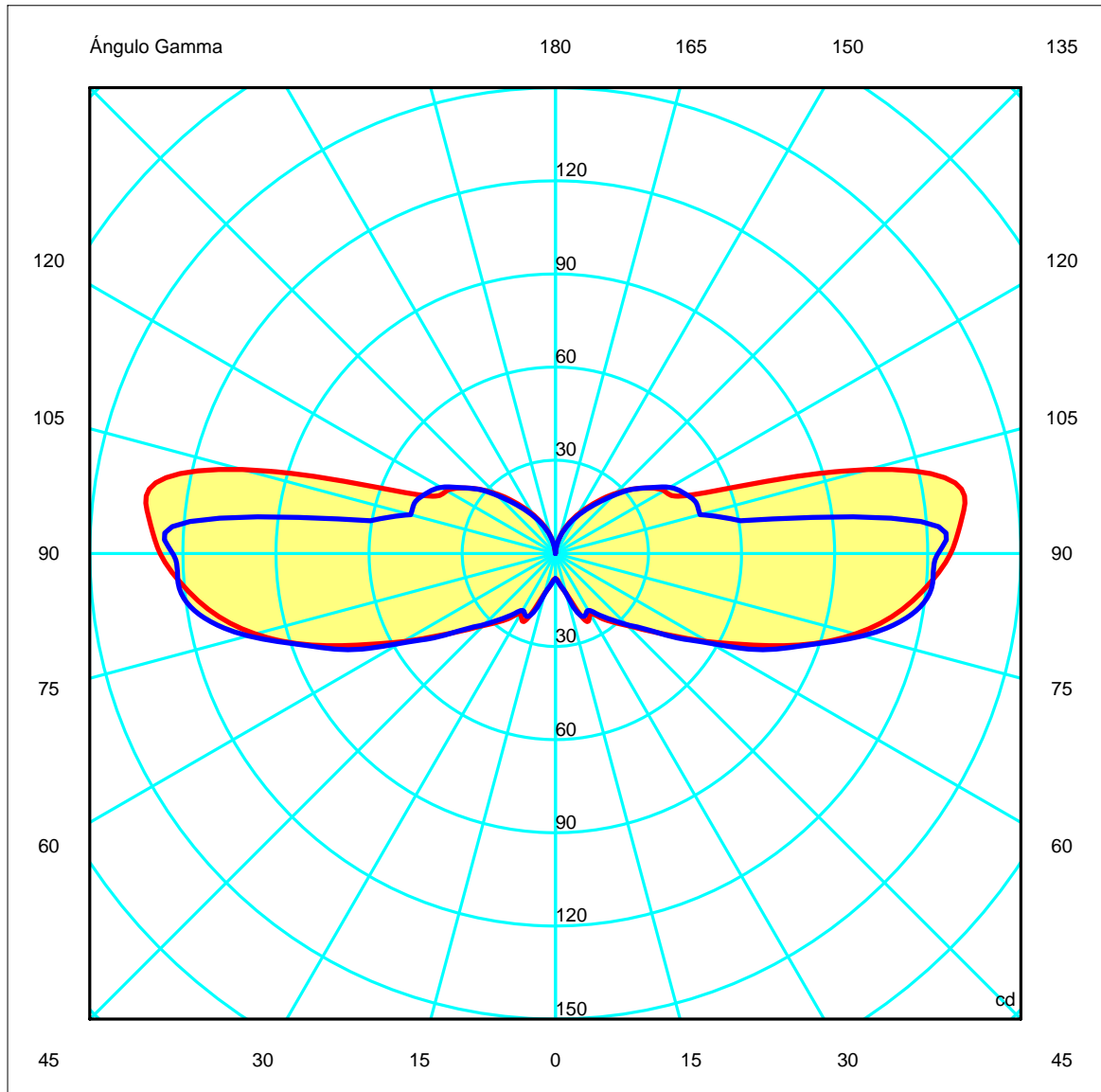
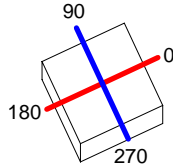
Download photometric file .ldt /.ies

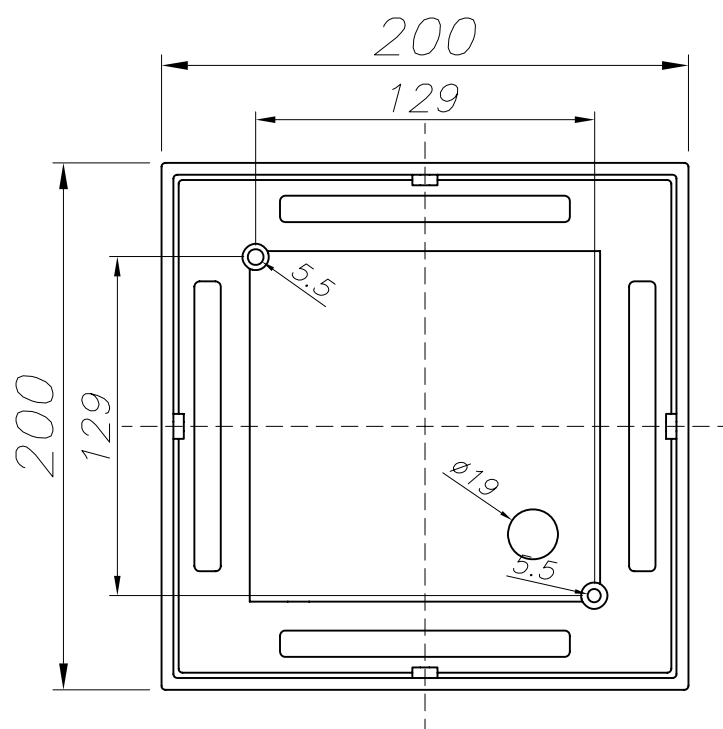
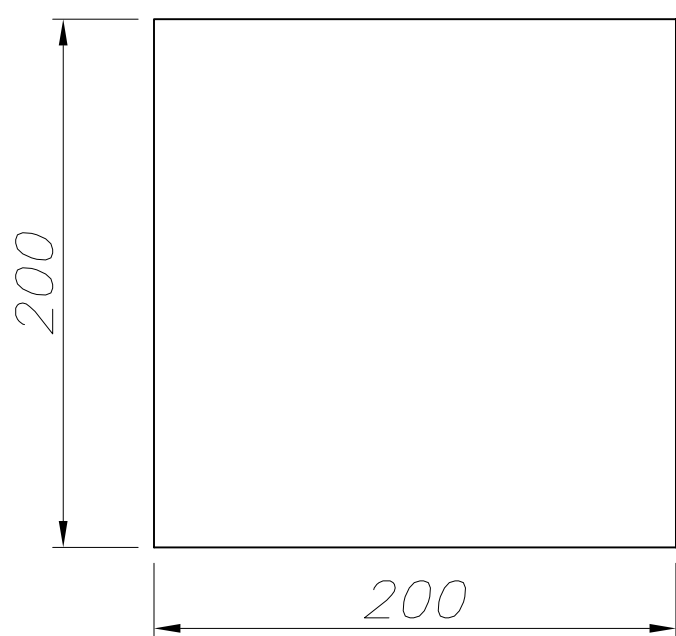
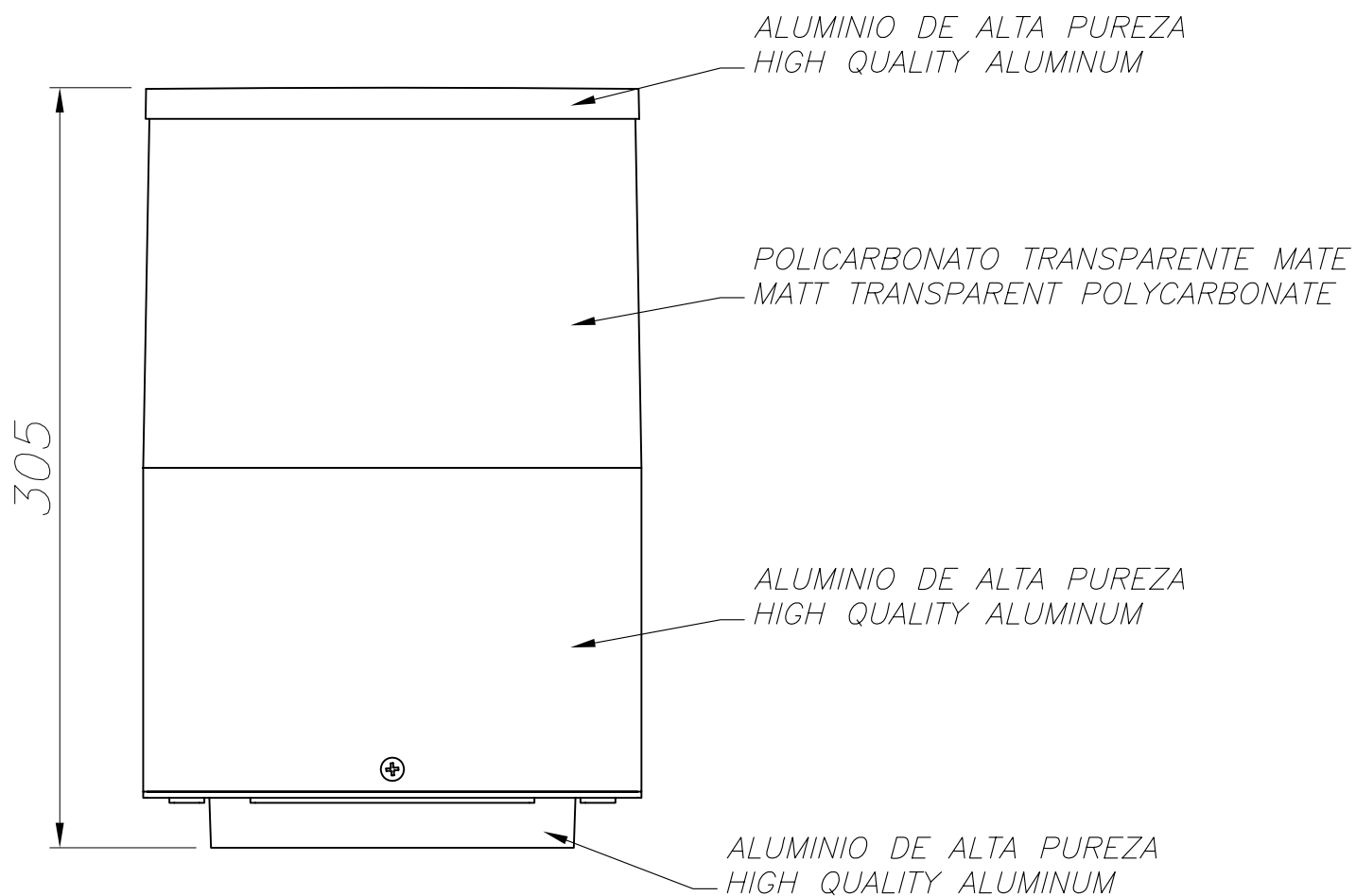
Luminaria		Ensayo		Lámpara	
Código	10-9387-K7-M3	Código	10-9387-K7-M3	Código	PLEC23
Nombre	CUBIK PL 23W E27 difusor opal	Nombre	CUBIK PL 23W E27 dif. opal	Número	1
Familia	- LEDS-C4	Fecha	01-09-2009	Posición	Universal
Eficiencia	55.64%	Sist. de Coorden.	C-G	Flujo Total	1500.00 lm
Valor Máximo	133.24 cd	Posición	C=15.00 G=95.00	Bisimétrico	

200mm x 200mm

Semiplanos C

180.0 ——— 0.0
270.0 ——— 90.0





PLANTILLA DE INSTALACIÓN
INSTALLATION TEMPLATE

