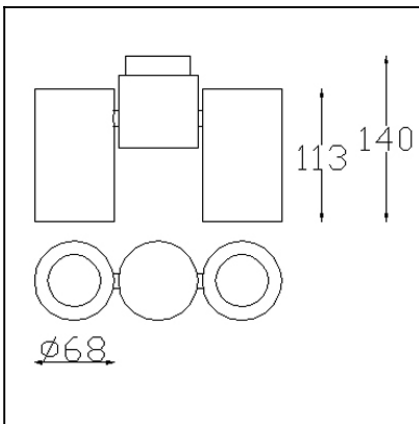




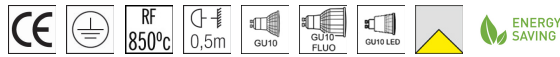
The photograph may not match the reference exactly. Please read the product description to identify the finish.



Download photometric file .ldt /.ies

TECHNICAL CHARACTERISTICS

Type:	Focus
Adjustable $\pm 180^\circ$ on the vertical axis	
IP Protection degrees:	IP23
Lampholder:	2 x GU10 2 x GU10 2 x GU10
Power (W):	GU10 MAX 50W GU10 MAX 11W GU10 MAX 5.5W
Voltage / Frequency:	220-240V/50-60Hz
Warranty (Years):	2
Units per box:	6
Net Weight (Kg):	0.82
EAN:	8435111088166,00

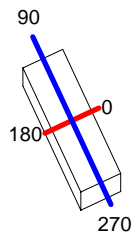

MATERIALS / FINISHES

Structure material:	Aluminium Steel
Structure finish:	Matt white Matt black

Luminaire		Measur.		Lamp	
Code	15-0074-14-05	Code	15-0074-14-05	Code	64826FL
Name	Foco doble 2x50W halogen GU10	Name	Foco doble 2x50W GU10	Number	2
Line	- LEDS-C4	Date	19-02-2013	Position	Universal
Efficiency	87.48%	Coordinate system	CG	Total Flux	740.00 lm
Maximum value	1274.59 cd	Position	C=0.00 G=0.00	Double Symmetrical	
Flush Rectangular Rectangular Luminous Area	Length Length	212 mm 188 mm	Width Width	68 mm 45 mm	Height Height
Horizontal Luminous Area Emitting area on Plane 0° Emitting area on Plane 90°	0.008460 m2 0.000000 m2 0.000000 m2	Emitting area on Plane 180° Emitting area on Plane 270° Glare area at 76°		0.000000 m2 0.000000 m2 0.002047 m2	
Symmetry Type Measurement Distance	Double Symmetrical 6.44	Maximum Gamma Angle Measurement Flux	90 589.00 lm		
Operator Temperature Humidity Notes	Asselum T2 20.00 °C 48.00 %	Source voltage Source current Photocell	230.00 V PRC		

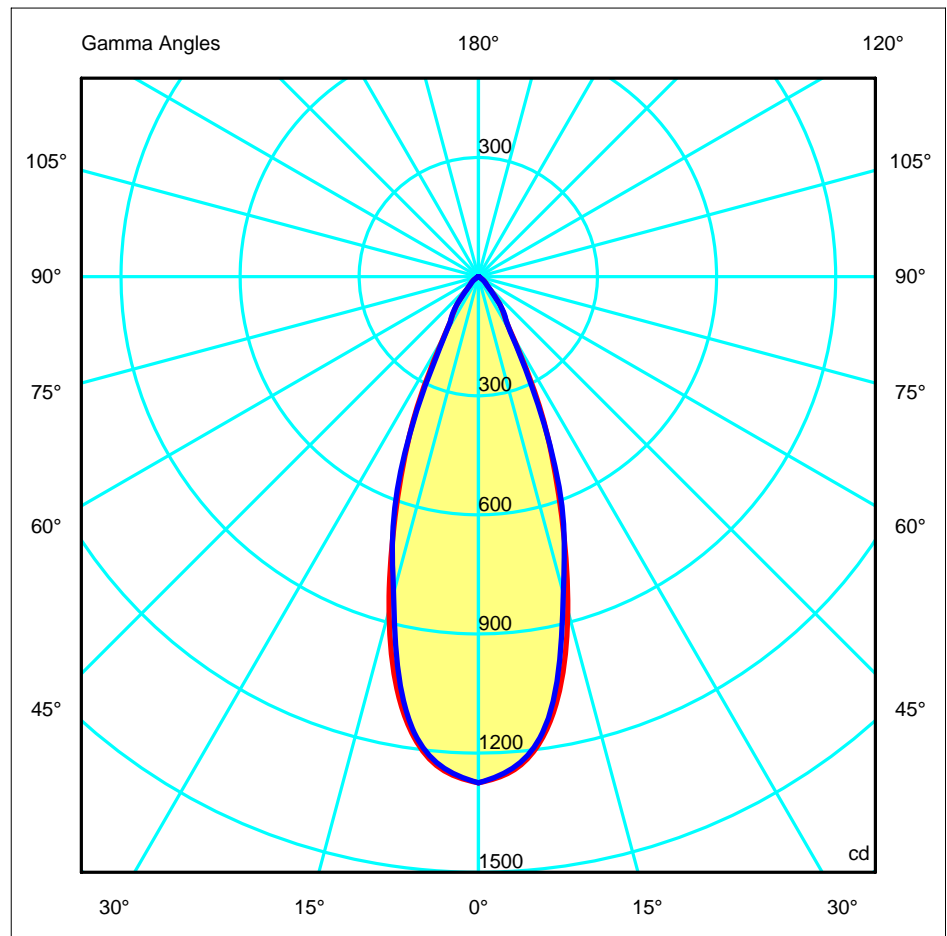
Line		Code	Luminaire Lamps		Flux [lm]	Pow. [W]	Q.ty
OSRAM 2006 HS, HM, HD, HR		64826FL	Name HALOPAR® 16 50W GZ10		370.00	50.00	2
C.I.E.	94 99 100 100 87		D DIN 5040	A60			
F UTE	0.87 A		B NBN	BZ 1			

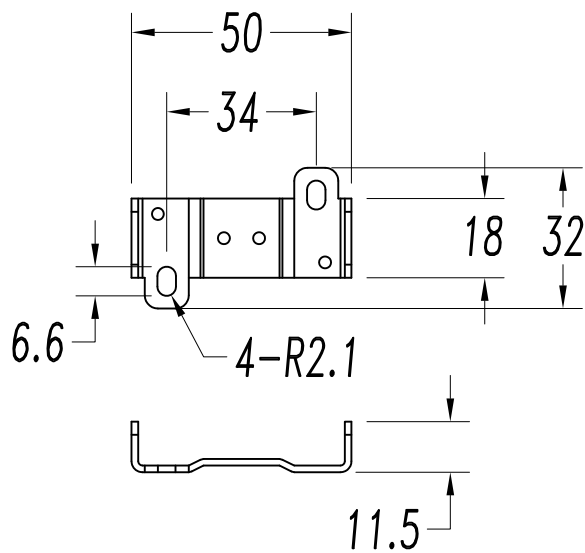
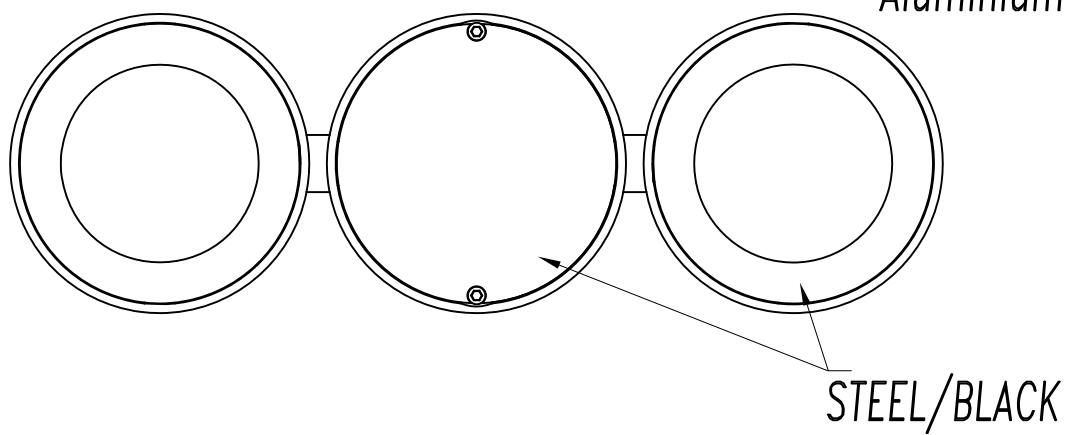
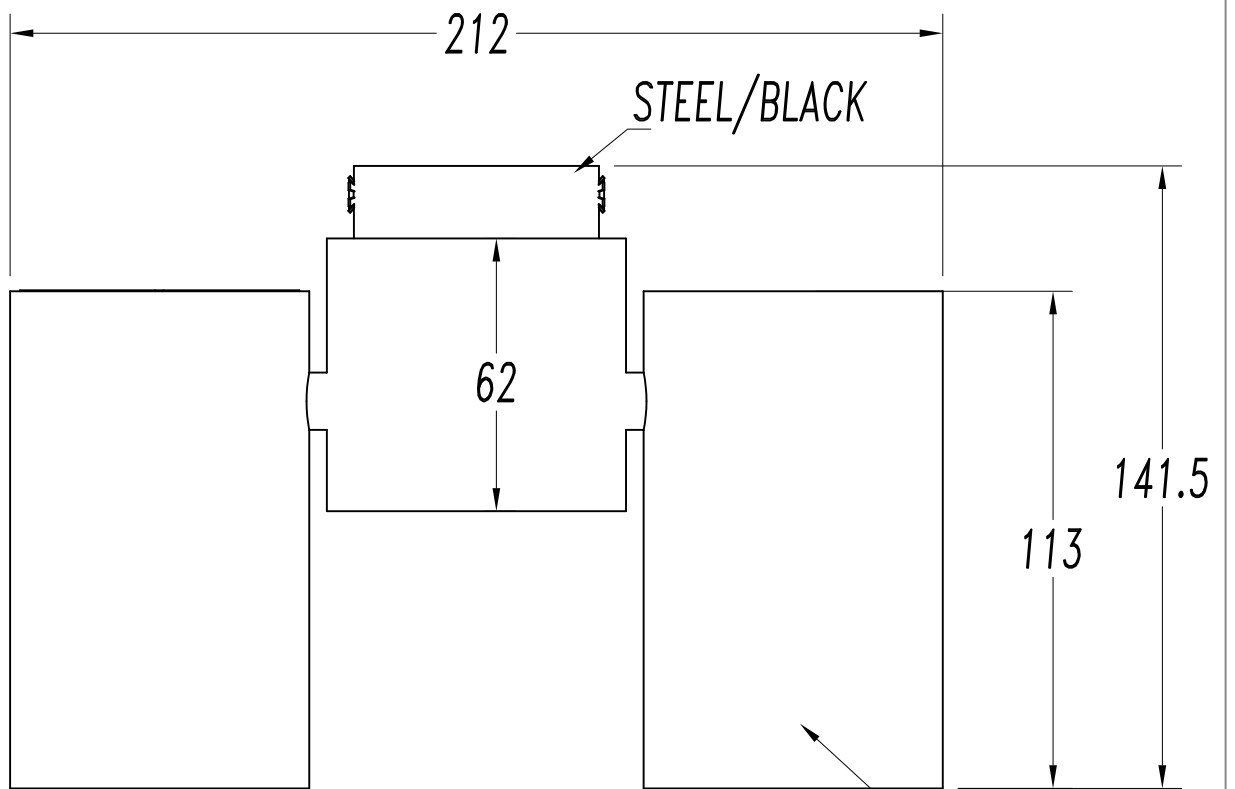
212mm x 68mm



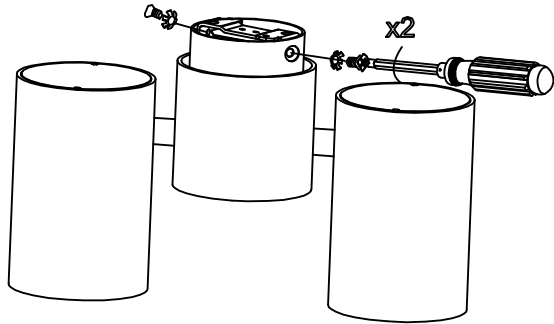
C Halfplanes
 180.0 — 0.0
 270.0 — 90.0

ULOR 0.00 %
 DLOR 87.48 %
 RN 0.00 %

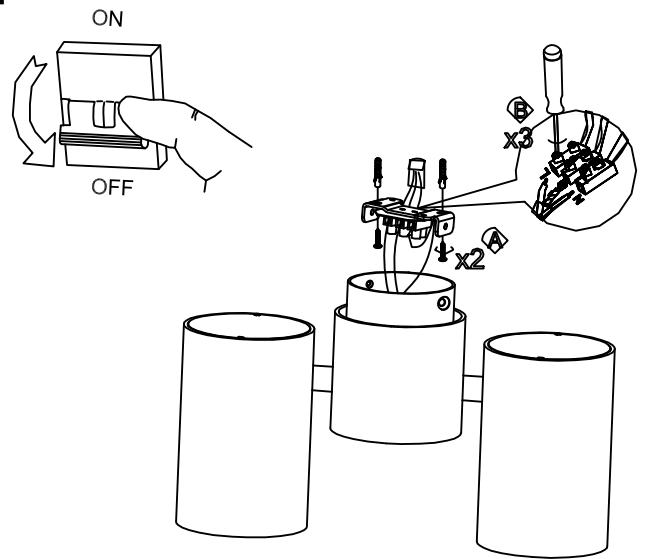




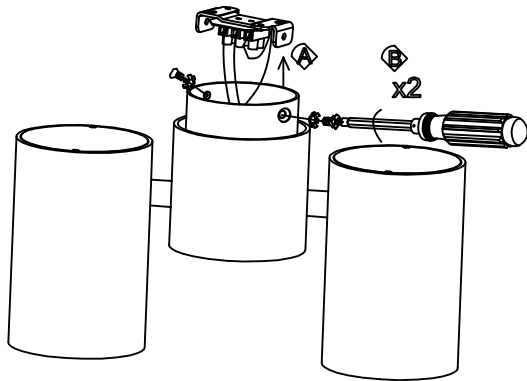
1



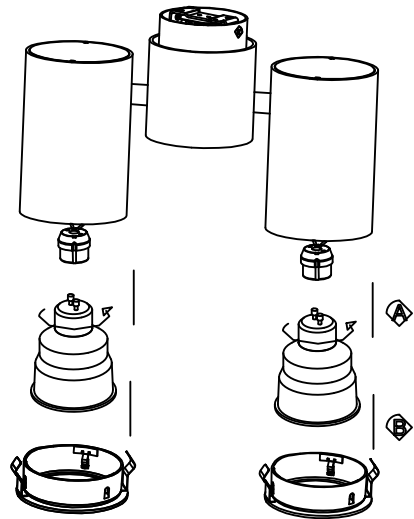
2



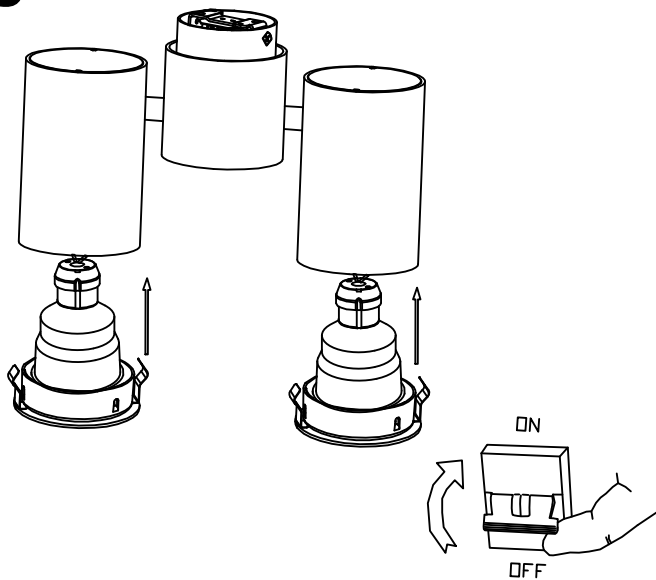
3



4



5



6

