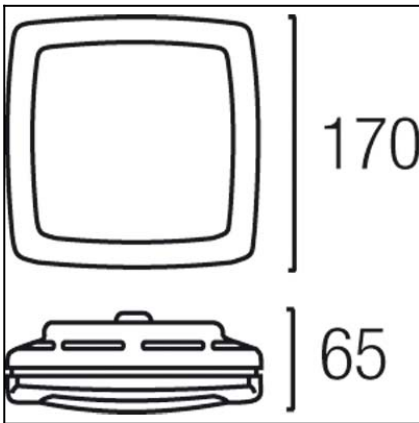


Design by Josep Patsí


The photograph may not match the reference exactly. Please read the product description to identify the finish.


TECHNICAL CHARACTERISTICS

Type:	Ceiling fixture
IP Protection degrees:	IP20
Lampholder:	1 x R7s
Power (W):	R7s MAX 100W
Bulb included:	1 x R7s 80W
Total power consumption (W):	100
Voltage / Frequency:	220-240V/50-60Hz
Warranty (Years):	2
Units per box:	12
Net Weight (Kg):	0.72
EAN:	8435071472760,00


MATERIALS / FINISHES

Structure material: Steel
Structure finish: Satin nickel

Diffuser material: Glass
Diffuser finish: Tinted

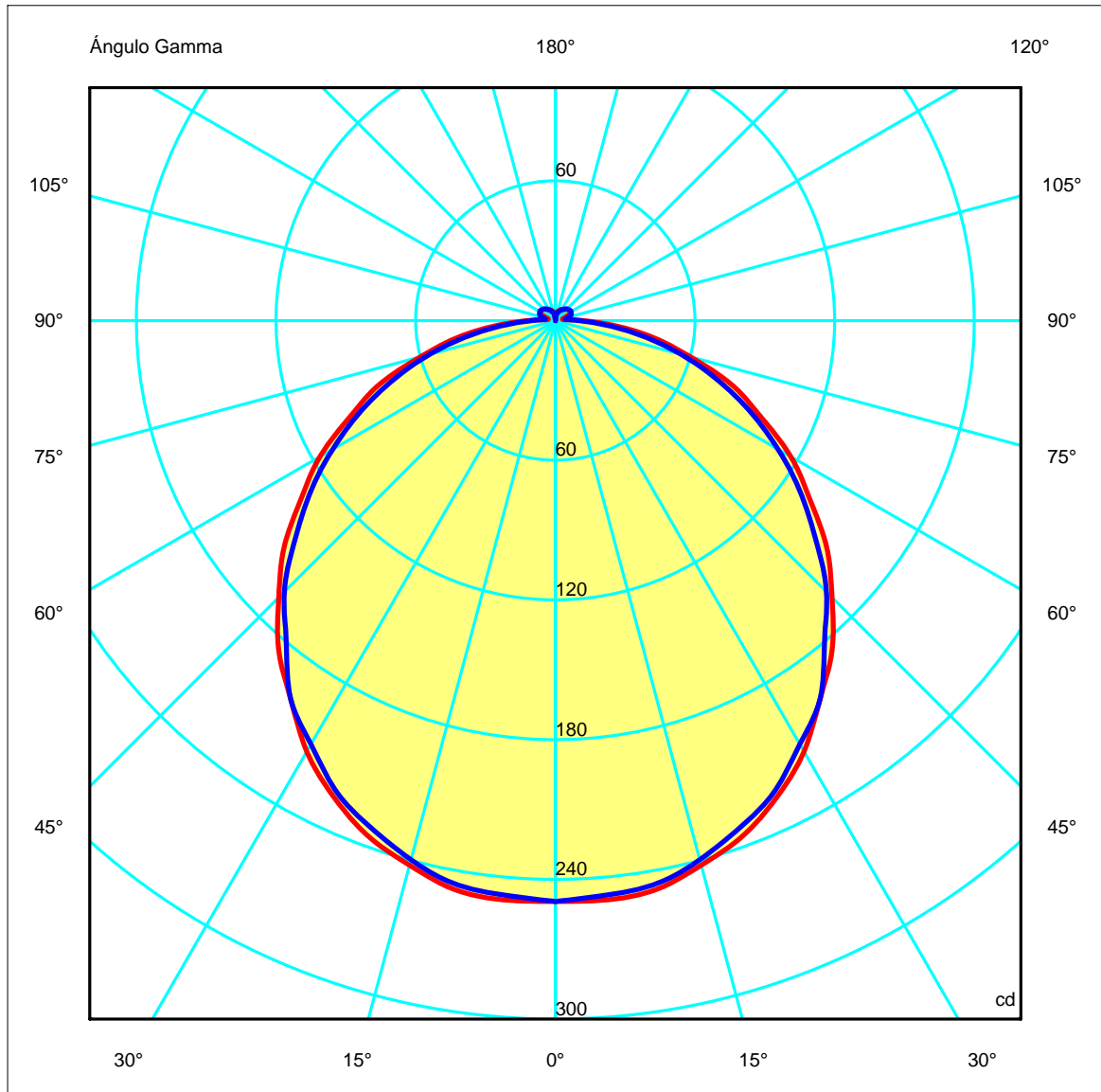
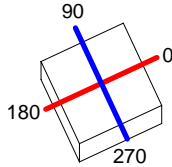
[Download photometric file .ldt / .ies](#)

Luminaria		Ensayo		Lámpara	
Código	15-0223-81-E9	Código	15-0258-81-E9	Código	64690
Nombre	Aplique MINI 1x100W R7s opal	Nombre	Aplique MINI 1x200W R7s opal	Número	1
Familia	- LEDS-C4	Fecha	13-04-2010	Posición	Universal
Eficiencia	48.05%	Sist. de Coorden.	C-G	Flujo Total	1600.00 lm
Valor Máximo	249.71 cd	Posición	C=0.00 G=5.00		Bisimétrico

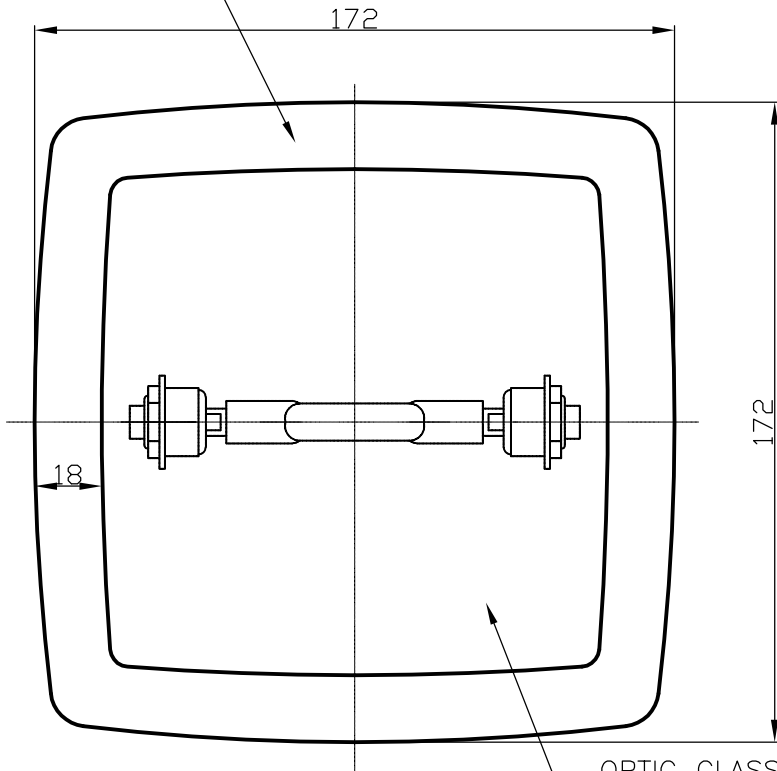
170mm x 170mm

Semiplanos C

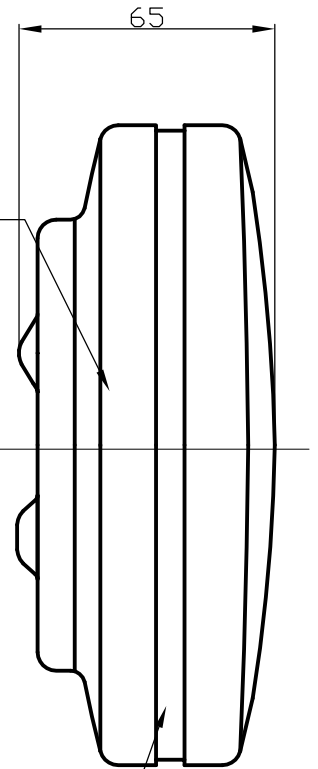
180.0 ——— 0.0
270.0 ——— 90.0



IRON / HIERRO



IRON / HIERRO



OPTIC GLASS /
CRISTAL ÓPTICO

POLICARBONATE /
POLICARBONATO

IRON / HIERRO

