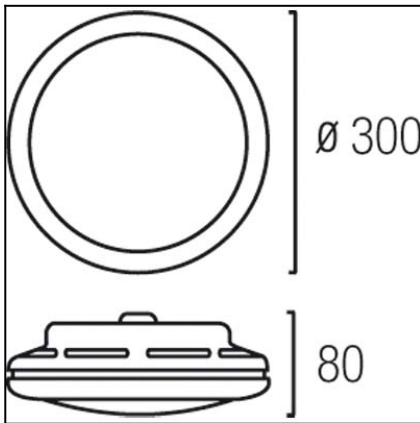


Design by Josep Patsí


The photograph may not match the reference exactly. Please read the product description to identify the finish.


TECHNICAL CHARACTERISTICS

Type:	Ceiling fixture
IP Protection degrees:	IP20
Lampholder:	1 x R7s
Power (W):	R7s MAX 200W
Bulb included:	1 x R7s 160W
Total power consumption (W):	200
Voltage / Frequency:	220-240V/50-60Hz
Warranty (Years):	2
Units per box:	6
Net Weight (Kg):	1.7
EAN:	8435071473026,00


MATERIALS / FINISHES

Structure material: Steel
Structure finish: Satin nickel

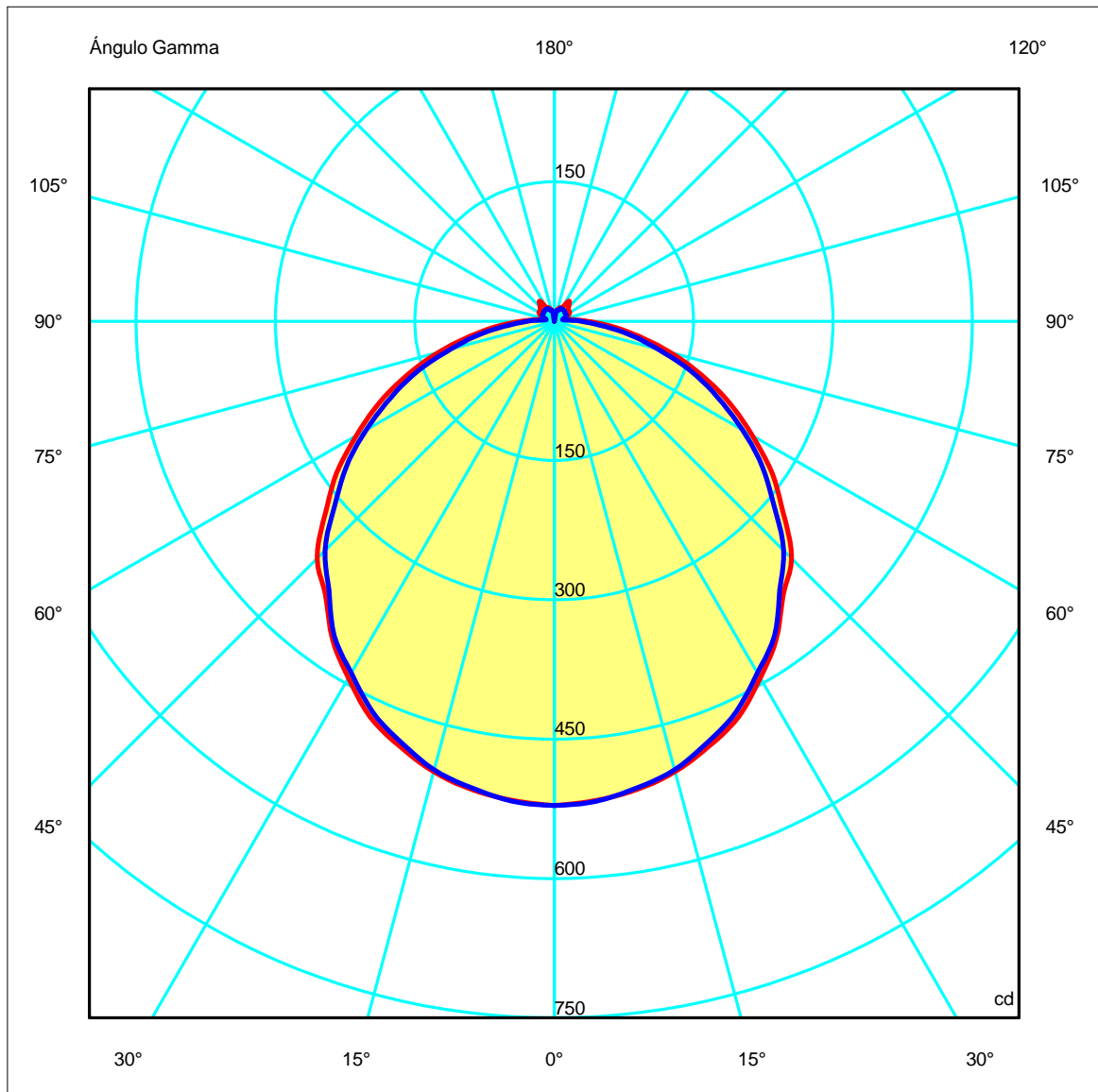
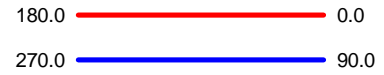
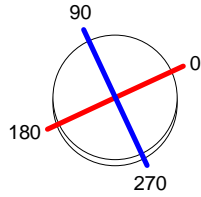
Diffuser material: Glass
Diffuser finish: Tinted

[Download photometric file .ldt / .ies](#)

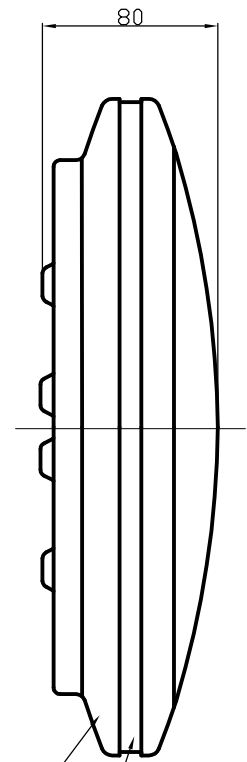
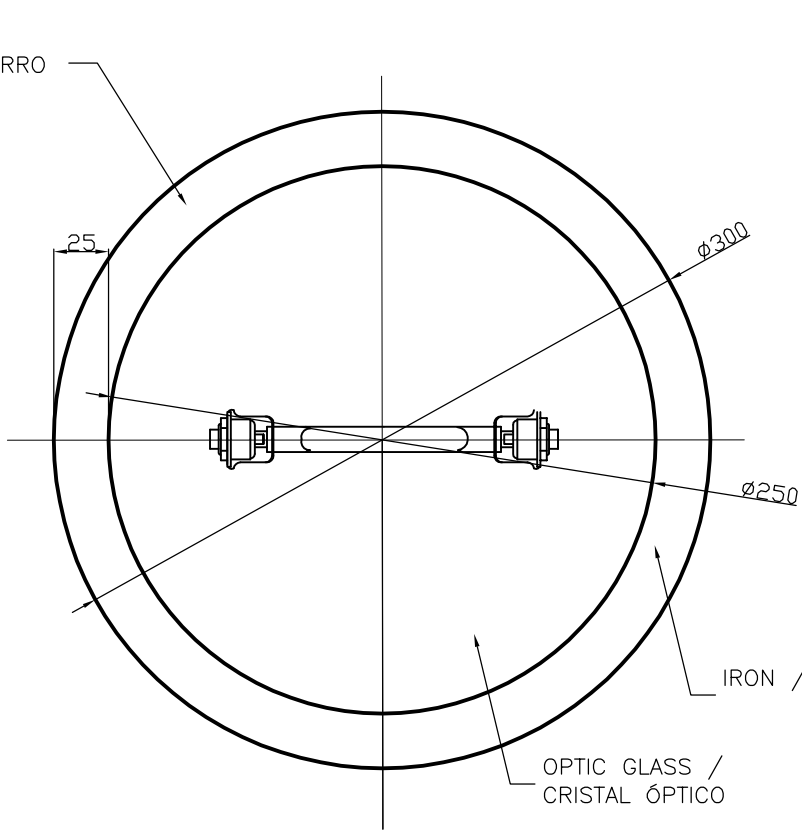
Luminaria Código 15-0256-81-E9 Nombre Aplique 200W R7s difusor opal Familia - LEDS-C4		Ensayo Código 15-0256-81-E9 Nombre Aplique 200W R7s difusor opal Fecha 12-03-2010		Lámpara Código 64698 Número 1 Posición	
Eficiencia	51.73%	Sist. de Coorden.	C-G	Flujo Total	3200.00 lm
Valor Máximo	521.09 cd	Posición	C=0.00 G=0.00	Bisimétrico	

Diam=300mm

Semiplanos C



IRON / HIERRO



IRON / HIERRO

POLYCARBONATE /
POLICARBONATO

IRON / HIERRO

