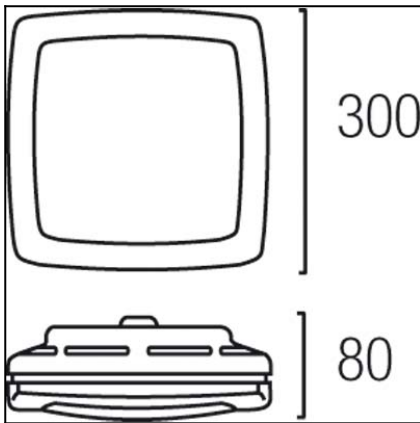


Design by Josep Patsí


The photograph may not match the reference exactly. Please read the product description to identify the finish.



Download photometric file .ldt / .ies

DESCRIPTION

Small group of recessed downlights offering high visual comfort. Round or square black lacquered steel body, grey finished metallic surround. Stainless steel mounting springs highly resistant to mechanical deformation. Available for halogen lamps and LED lamps, can be rotated on a 40° vertical angle. Mounting clips included in the unit can be adjusted without the need for additional tools.

TECHNICAL CHARACTERISTICS

| | |
|------------------------------|------------------|
| Type: | Ceiling fixture |
| IP Protection degrees: | IP20 |
| Lampholder: | 1 x R7s |
| Power (W): | R7s MAX 200W |
| Bulb included: | 1 x R7s 160W |
| Total power consumption (W): | 200 |
| Voltage / Frequency: | 220-240V/50-60Hz |
| Warranty (Years): | 2 |
| Units per box: | 4 |
| Net Weight (Kg): | 2.18 |
| EAN: | 8435071473071,00 |


MATERIALS / FINISHES

Structure material: Steel
Structure finish: Satin nickel

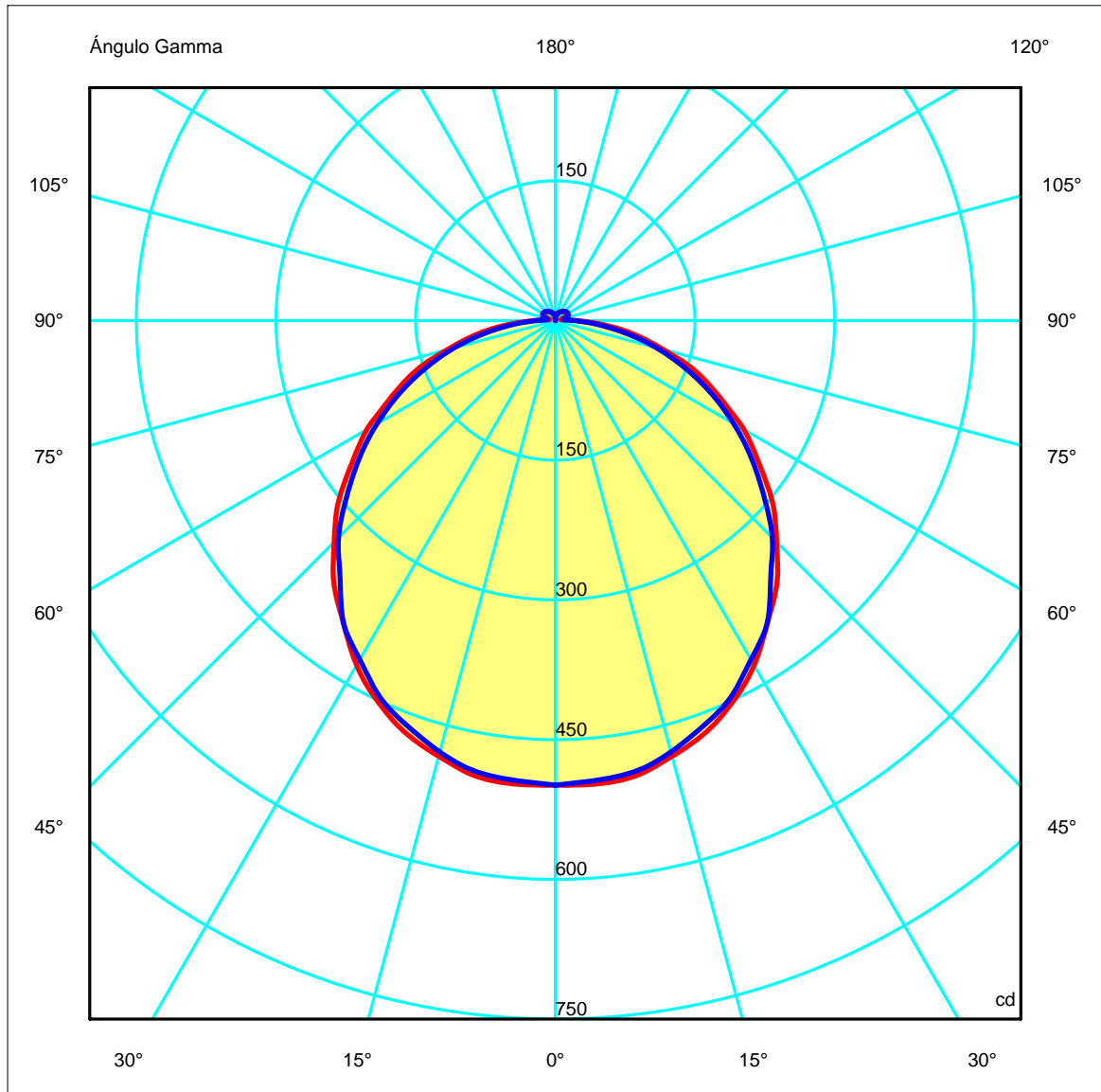
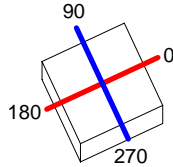
Diffuser material: Glass
Diffuser finish: Tinted

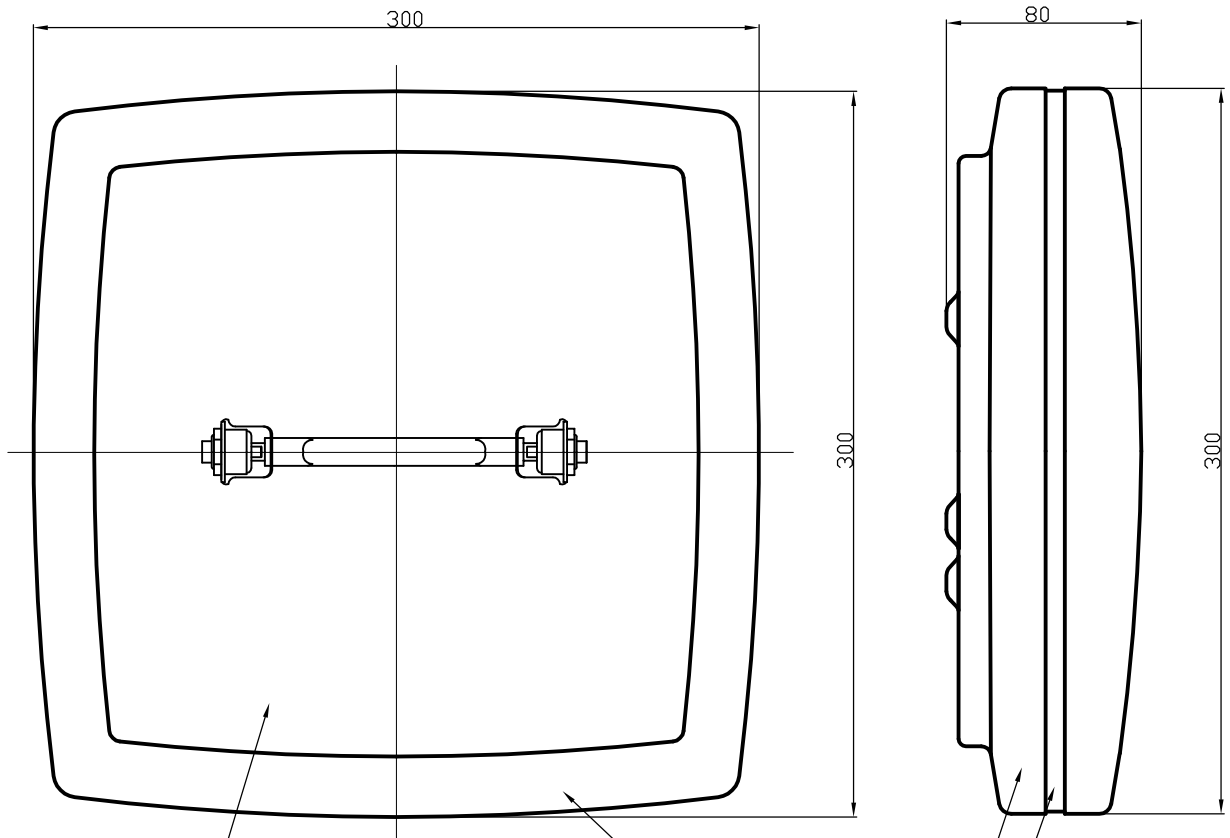
| | | | | | |
|------------------|-------------------------------|-------------------|-------------------------------|----------------|-------------|
| Luminaria | | Ensayo | | Lámpara | |
| Código | 15-0258-81-E9 | Código | 15-0258-81-E9 | Código | 64698 |
| Nombre | Aplicque MINI 1x200W R7s opal | Nombre | Aplicque MINI 1x200W R7s opal | Número | 1 |
| Familia | - LEDS-C4 | Fecha | 13-04-2010 | Posición | Universal |
| Eficiencia | 48.05% | Sist. de Coorden. | C-G | Flujo Total | 3200.00 lm |
| Valor Máximo | 499.42 cd | Posición | C=0.00 G=5.00 | | Bisimétrico |

300mm x 300mm

Semiplanos C

180.0 ——— 0.0
270.0 ——— 90.0



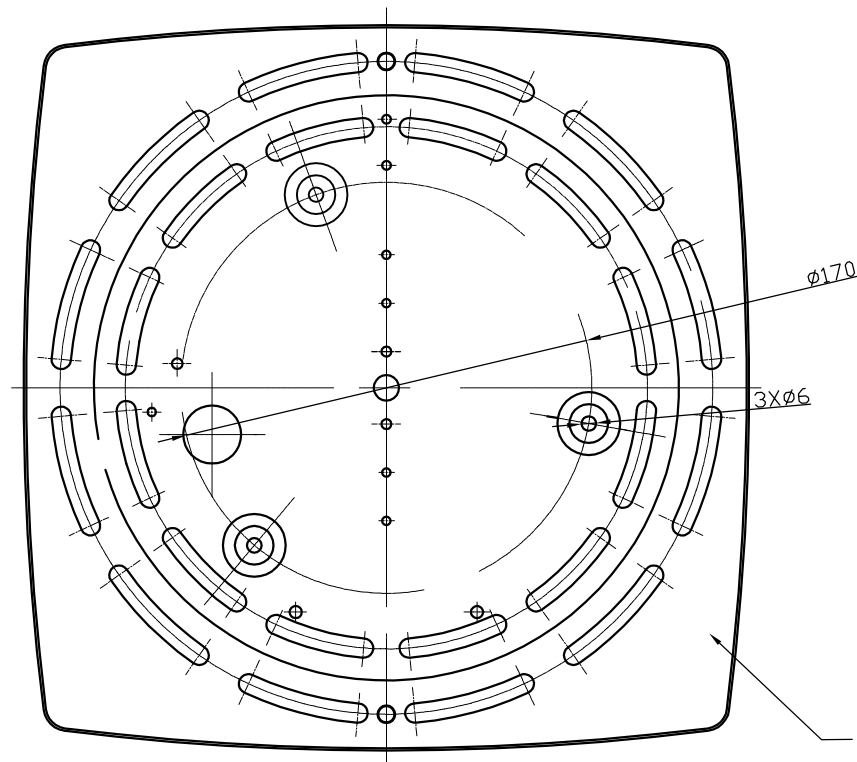


OPTIC GLASS /
CRISTAL ÓPTICO

IRON / HIERRO

IRON / HIERRO

POLICARBONATE /
POLICARBONATO



IRON / HIERRO

