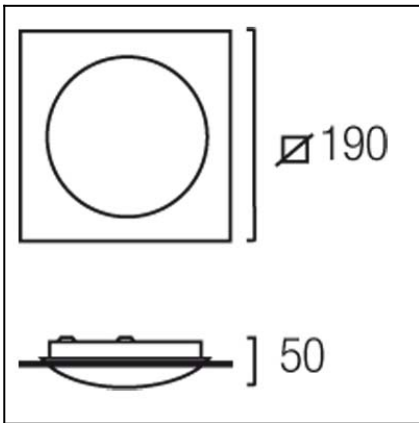


Design by Josep Patsí


The photograph may not match the reference exactly. Please read the product description to identify the finish.



[Download photometric file .ldt / .ies](#)

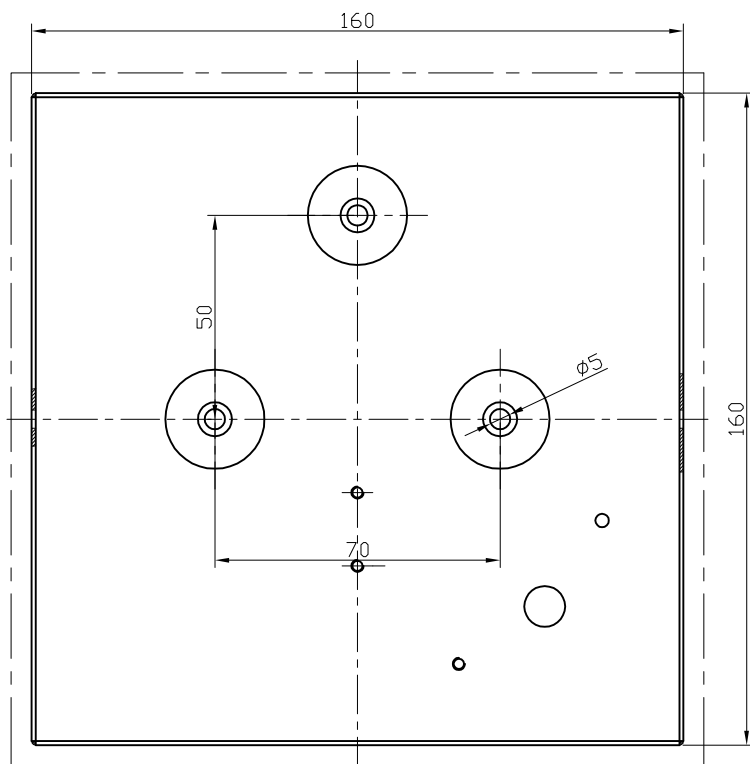
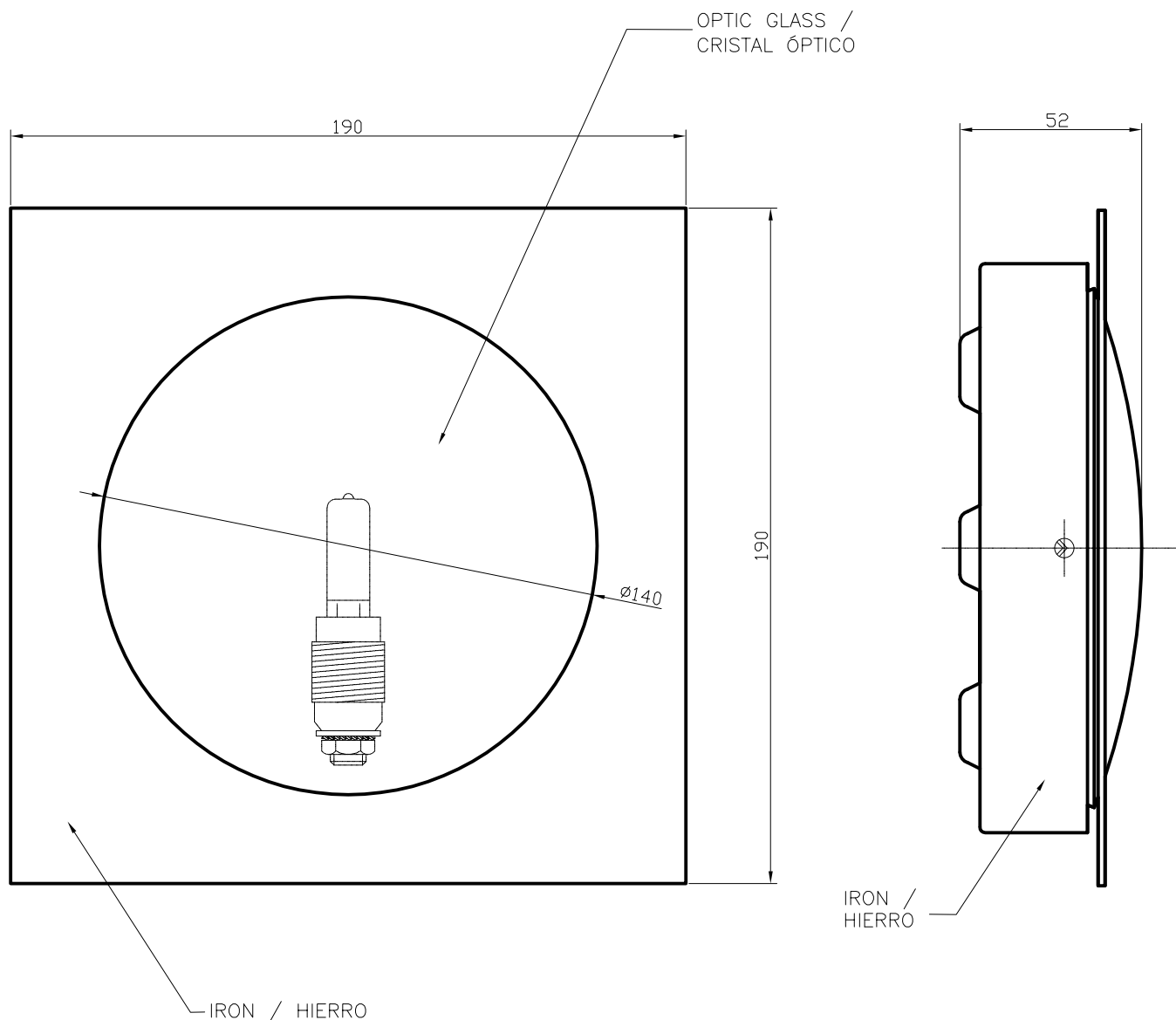
TECHNICAL CHARACTERISTICS

Type:	Ceiling fixture
IP Protection degrees:	IP20
Lampholder:	1 x G9
Power (W):	G9 MAX 75W
Bulb included:	1 x G9 60W
Total power consumption (W):	75
Voltage / Frequency:	220-240V/50-60Hz
Warranty (Years):	2
Units per box:	6
Net Weight (Kg):	0.95
EAN:	8435071473170,00

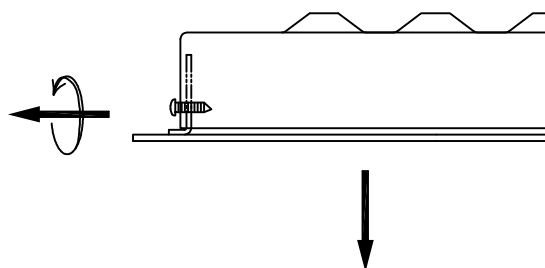

MATERIALS / FINISHES

Structure material: Steel
Structure finish: Satin nickel

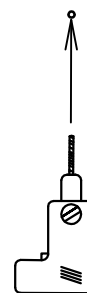
Diffuser material: Glass
Diffuser finish: Tinted



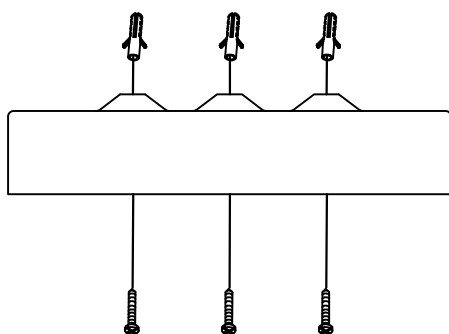
1



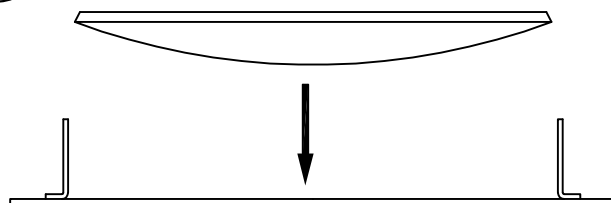
2



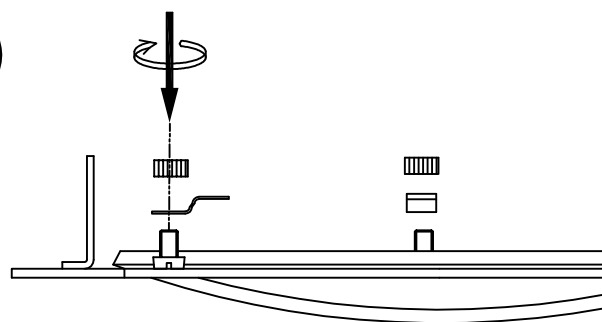
3



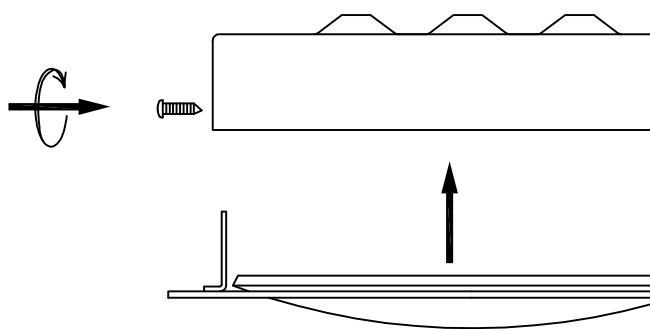
4



5



6



7

