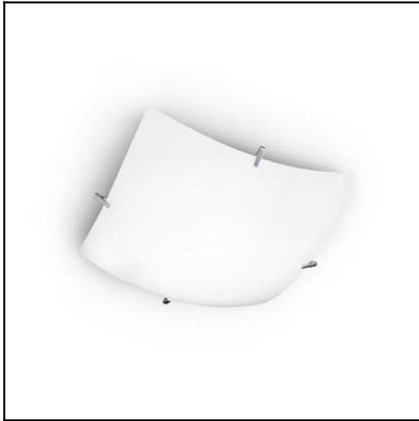
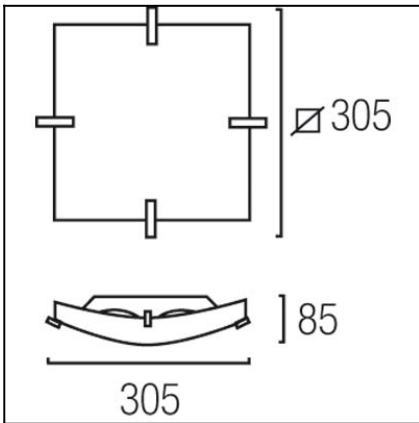


Design by Josep Patsí



The photograph may not match the reference exactly. Please read the product description to identify the finish.



### TECHNICAL CHARACTERISTICS

Type:	Ceiling fixture
IP Protection degrees:	IP20
Lampholder:	1 x R7s
Power (W):	R7s MAX 150W
Bulb included:	1 x R7s 120W
Total power consumption (W):	150
Voltage / Frequency:	220-240V/50-60Hz
Warranty (Years):	2
Units per box:	4
Net Weight (Kg):	1.45
EAN:	8435071476324,00



### MATERIALS / FINISHES

**Structure material:** Steel  
**Structure finish:** Satin nickel

**Diffuser material:** Glass  
**Diffuser finish:** Tinted White

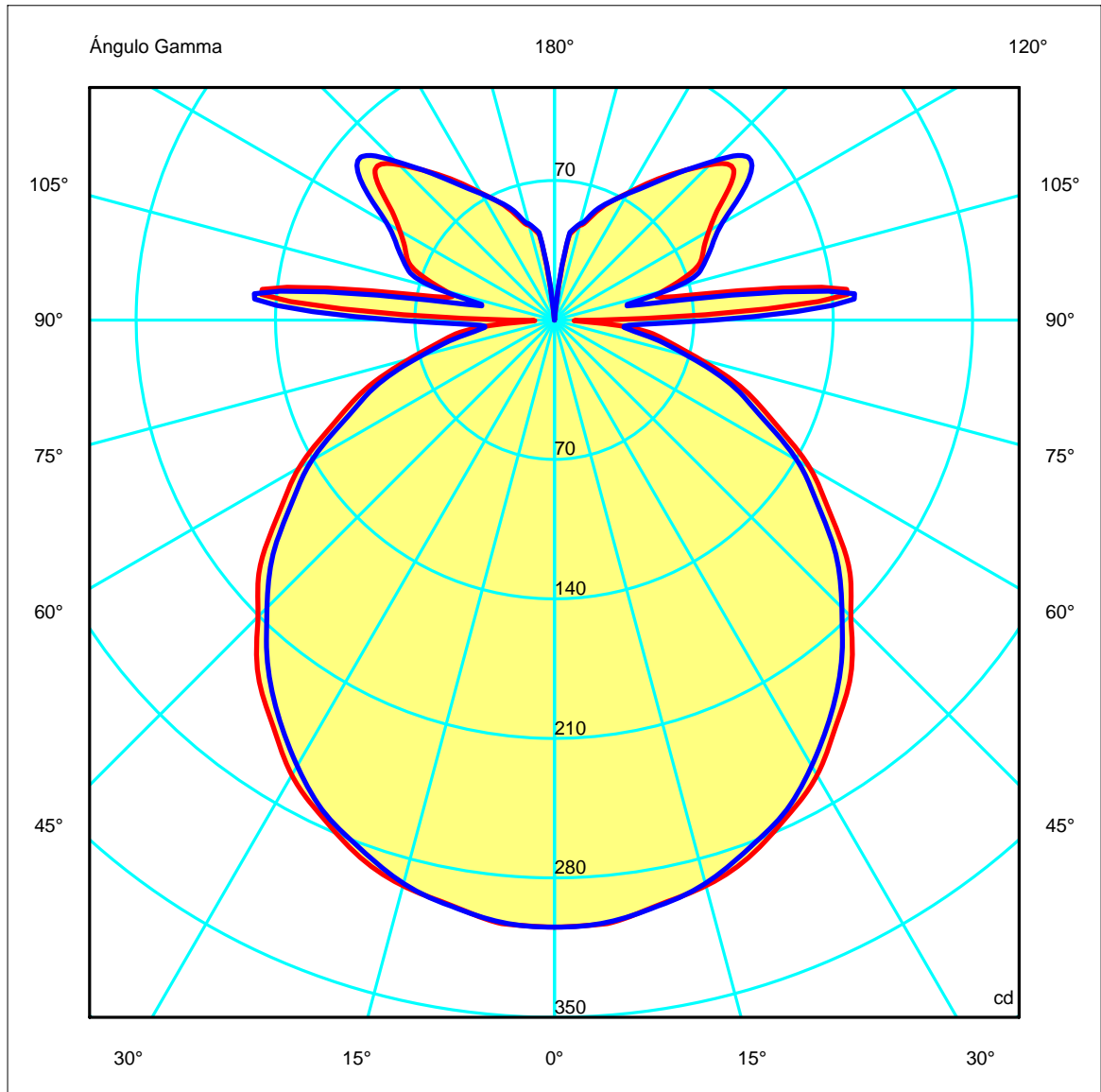
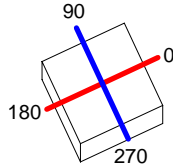
[Download photometric file .ldt / .ies](#)

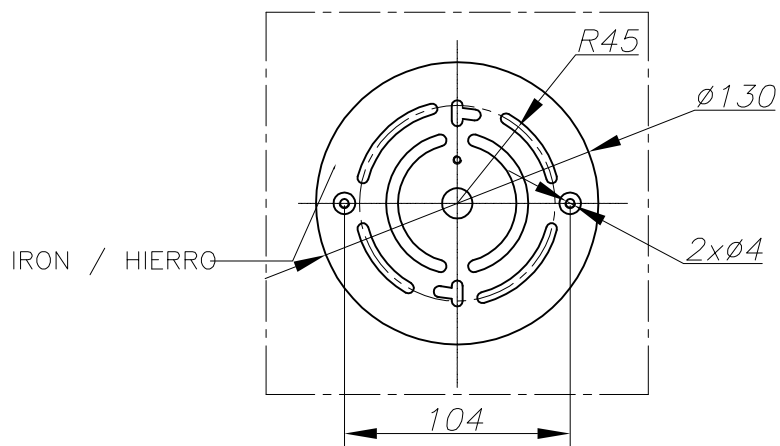
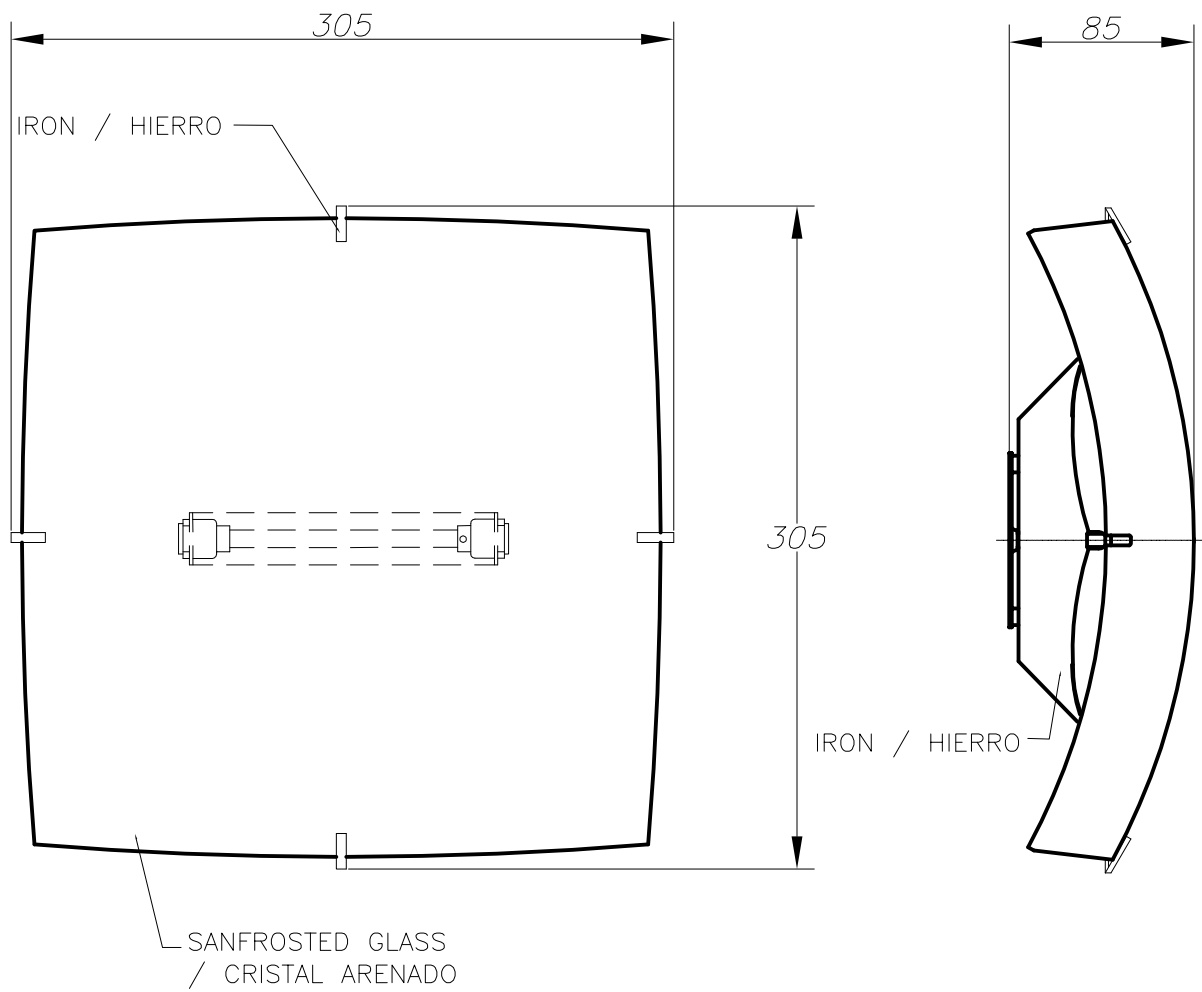
<b>Luminaria</b>		<b>Ensayo</b>		<b>Lámpara</b>	
Código	15-0635-81-B5	Código	15-0079-81-B5	Código	64696
Nombre	Plafón QUATTRO 1x150W R7s opal	Nombre	Plafón QUATTRO 1x300W R7s opal	Número	1
Familia	- LEDS-C4	Fecha	12-04-2010	Posición	Universal
Eficiencia	64.39%	Sist. de Coorden.	C-G	Flujo Total	2200.00 lm
Valor Máximo	304.68 cd	Posición	C=0.00 G=0.00		Bisimétrico

305mm x 305mm

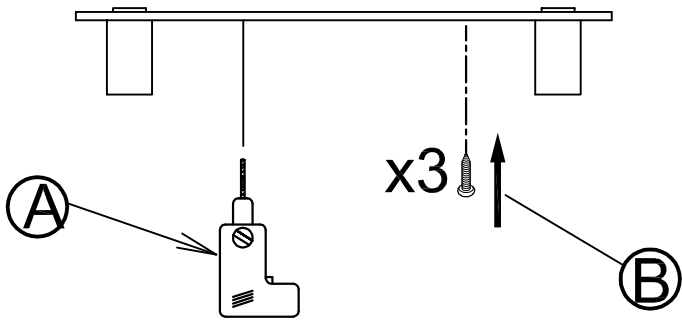
Semiplanos C

180.0 ——— 0.0  
 270.0 ——— 90.0

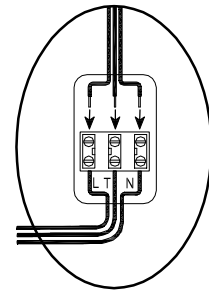




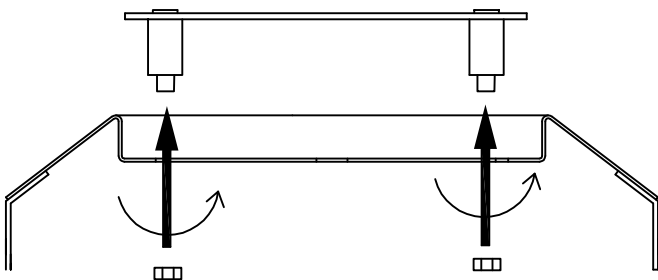
①



②



③



④

