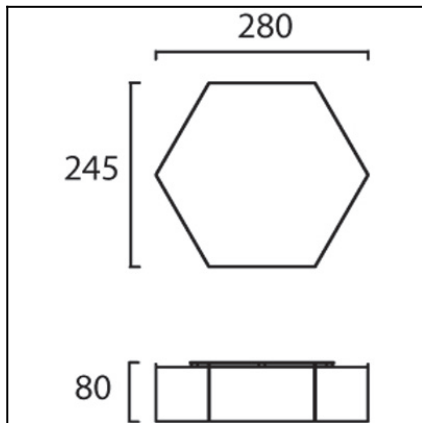


**Design by Josep Patsi**

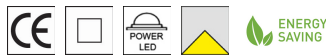

The photograph may not match the reference exactly. Please read the product description to identify the finish.



Download photometric file .ldt / .ies

**TECHNICAL CHARACTERISTICS**

Type:	Ceiling fixture
IP Protection degrees:	IP20
Bulb:	144 x LED. Warm White - 3000K
Power (W):	15
Luminous efficacy (Lm/W):	96
CRI:	80
Voltage / Frequency:	100-240V/50-60Hz
Warranty (Years):	2
Option to extend the guarantee:	Yes, 5 years
Units per box:	2
Net Weight (Kg):	1.155
EAN:	8435381406882,00


**MATERIALS / FINISHES**
**Structure material:** Aluminium

**Diffuser material:** Polycarbonate

**Structure finish:** Matt white

**Diffuser finish:** Matt opal

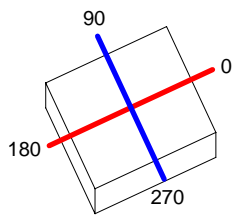
**GEAR**

Multi-voltage electronic gear included (110-240 V / 50-60 Hz)

<b>Luminaire</b>		<b>Measur.</b>		<b>Lamp</b>		
Code	15-1950-BW-M1	Code	15-1950-BW-M1	Code	15-1950-BW-M1	
Name	Plafón led 15W difusor opal	Name	Plafón led 15W difusor opal	Number	1	
Line	- LEDS C4 LEDS	Date	17-07-2013	Position	Universal	
Efficiency	100.00%	Coordinate system	CG	Total Flux	733.84 lm	
Maximum value	258.53 cd	Position	C=0.00 G=0.00	Double Symmetrical		
Rectangular Luminaire	Length	245 mm	Width	280 mm	Height	80 mm
Rectangular Luminous Area	Length	245 mm	Width	280 mm	Height	0 mm
Horizontal Luminous Area	0.068600 m2	Emitting area on Plane 180°		0.000000 m2		
Emitting area on Plane 0°	0.000000 m2	Emitting area on Plane 270°		0.000000 m2		
Emitting area on Plane 90°	0.000000 m2	Glare area at 76°		0.016596 m2		
Symmetry Type	Double Symmetrical	Maximum Gamma Angle	90			
Measurement Distance	6.44	Measurement Flux	733.84 lm			
Operator	Asselum T2	Source voltage	230.00 V			
Temperature	25.00 °C	Source current	PRC			
Humidity	49.00 %	Photocell				
Notes						

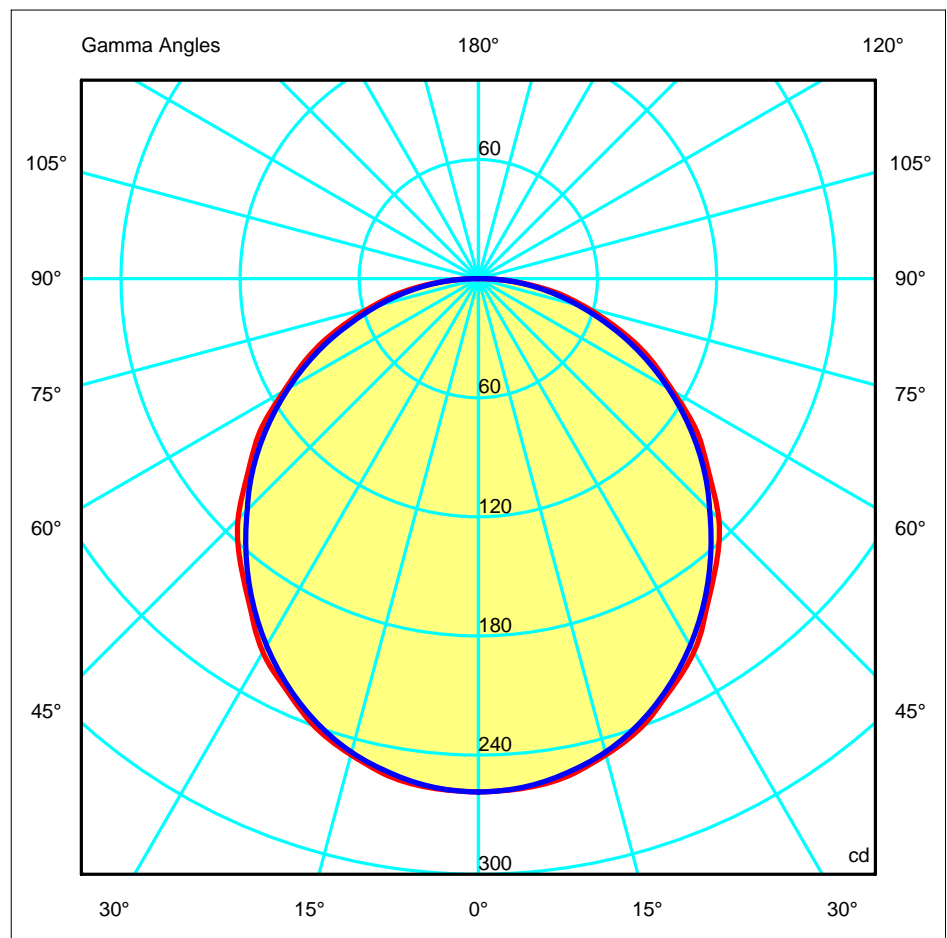
Luminaire Lamps					
Line	Code	Name	Flux [lm]	Pow. [W]	Q.ty
- LEDS C4 LEDS	15-1950-BW-M1	Lámpara led blanco 15W	733.84	15.00	1
C.I.E.	46 77 94 100 100	D DIN 5040	A30		
F UTE	1.00 E	B NBN	BZ 5		

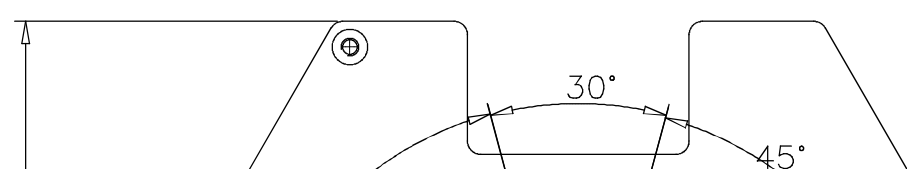
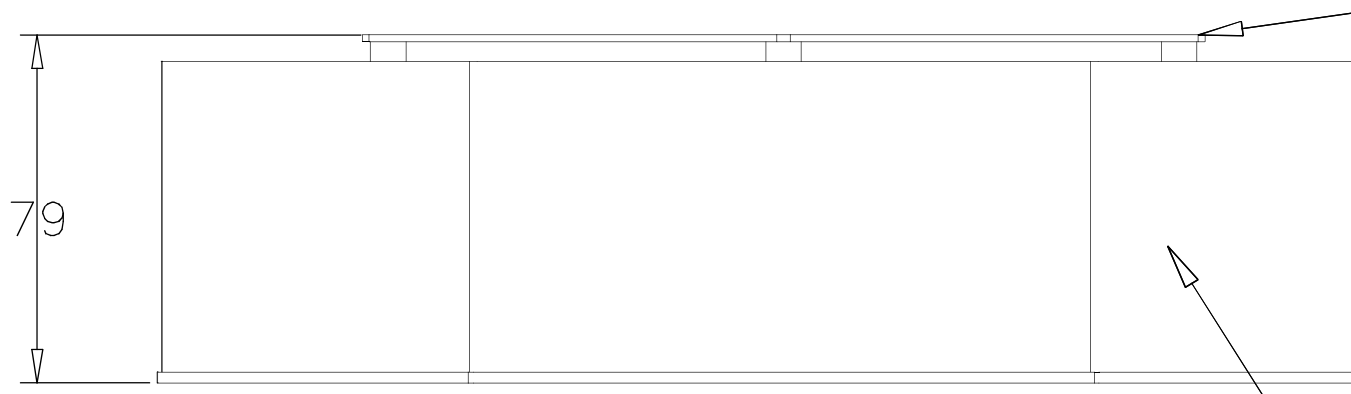
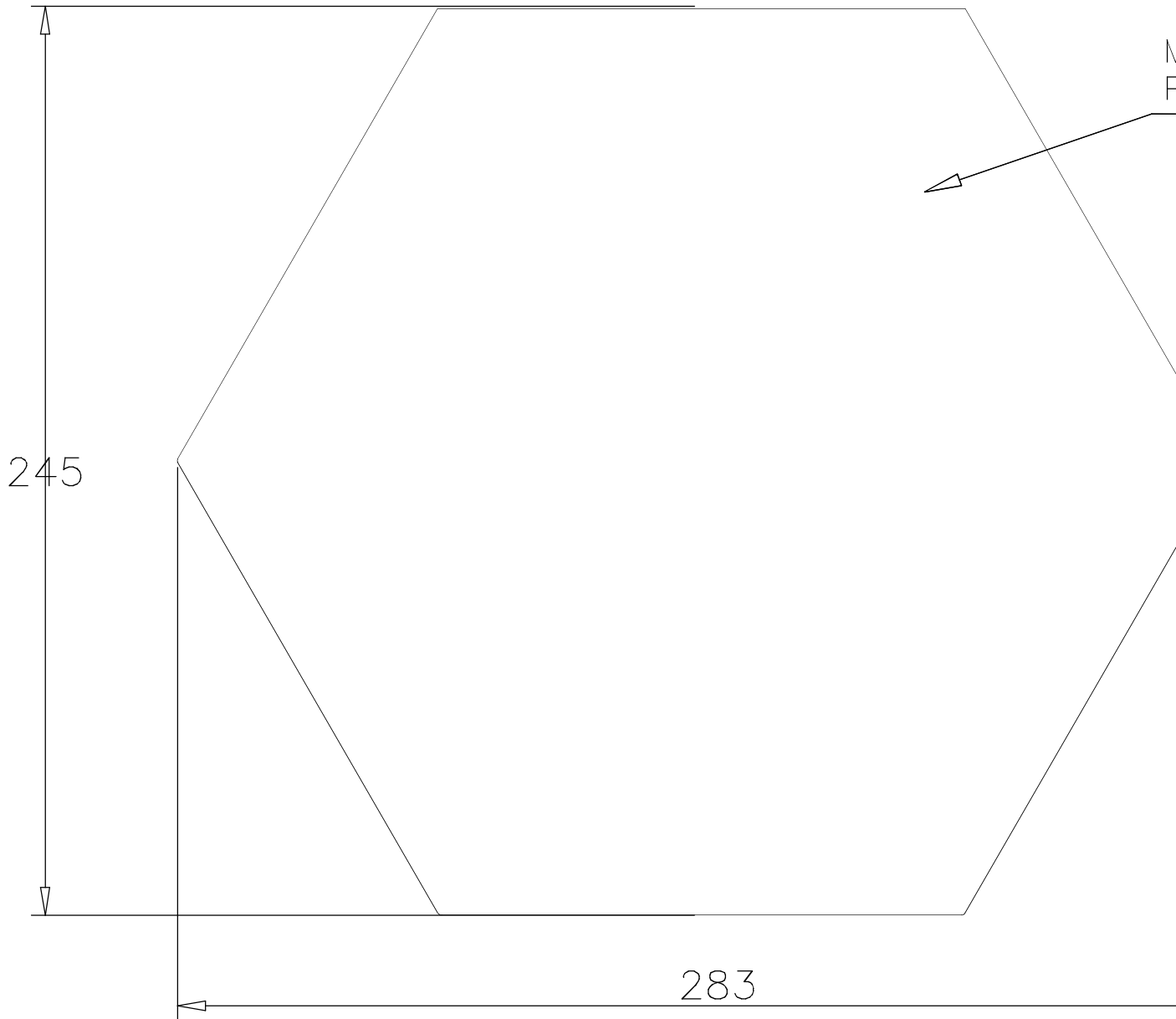
245mm x 280mm

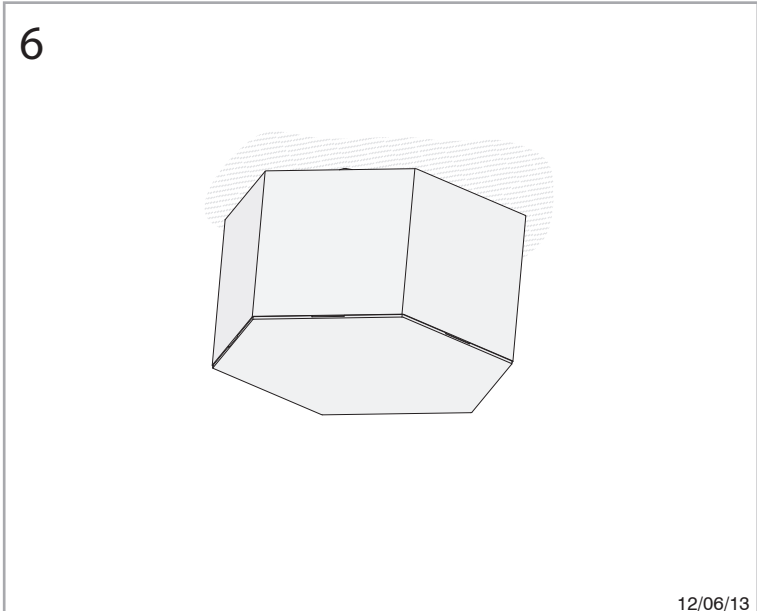
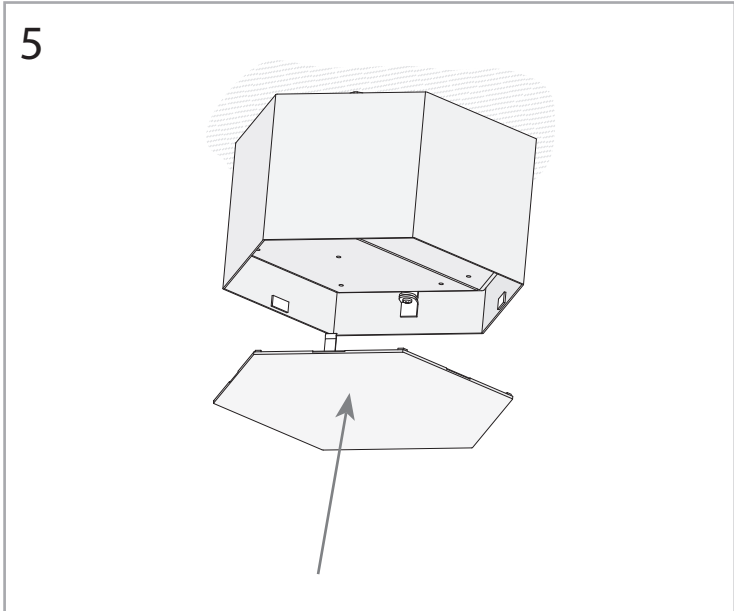
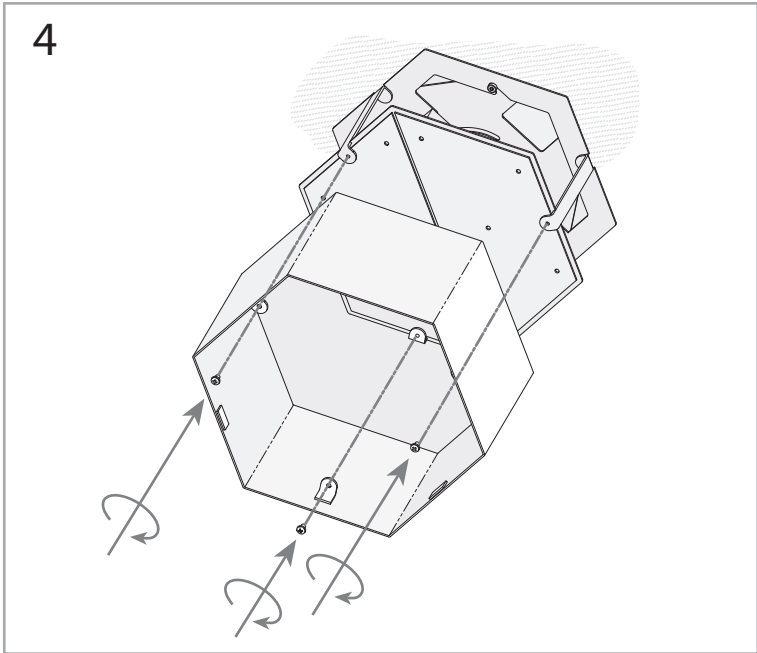
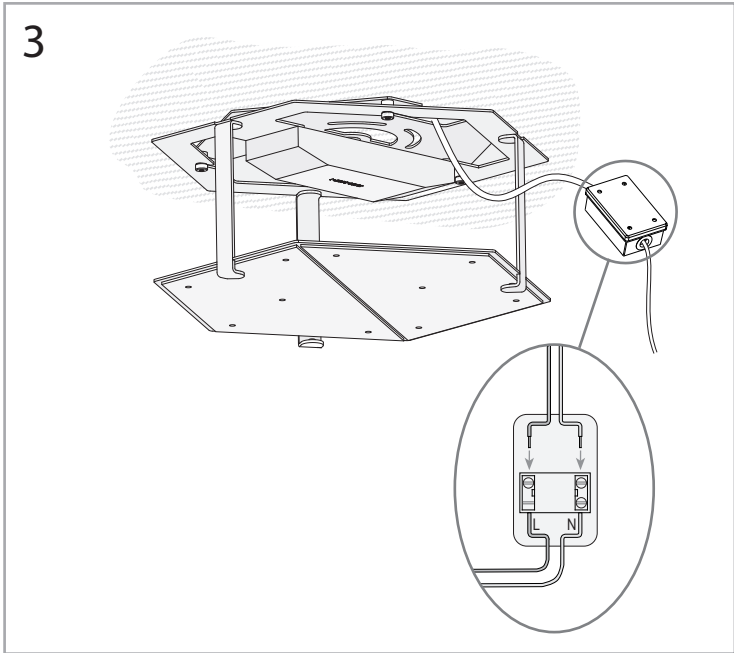
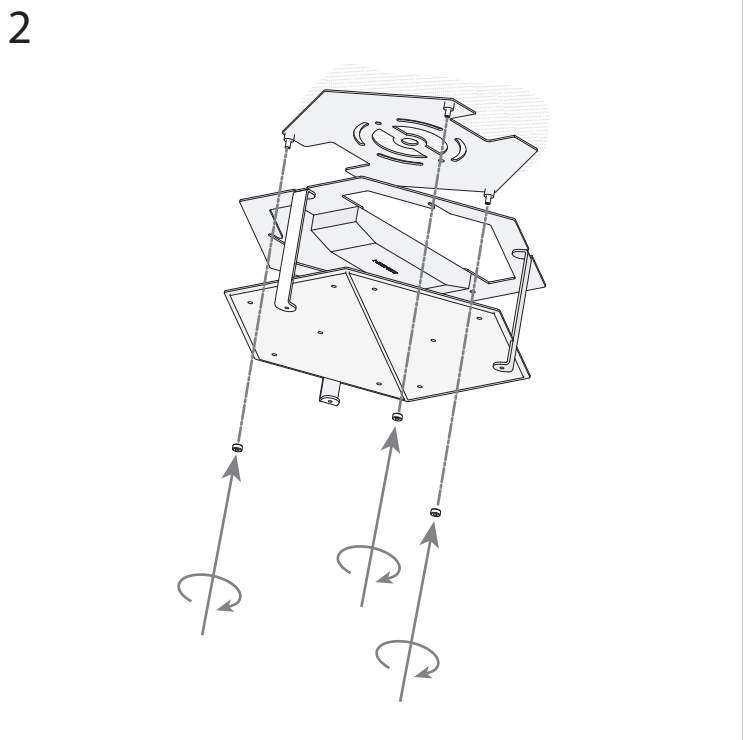
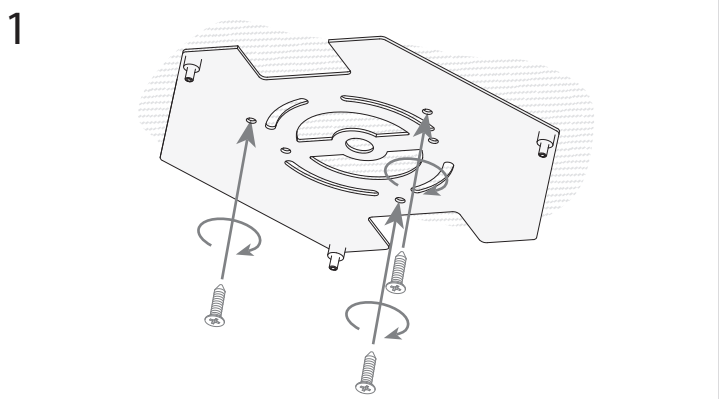
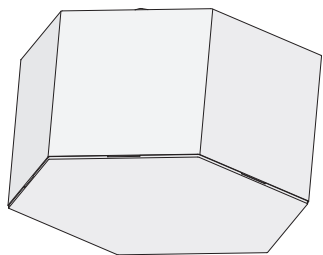


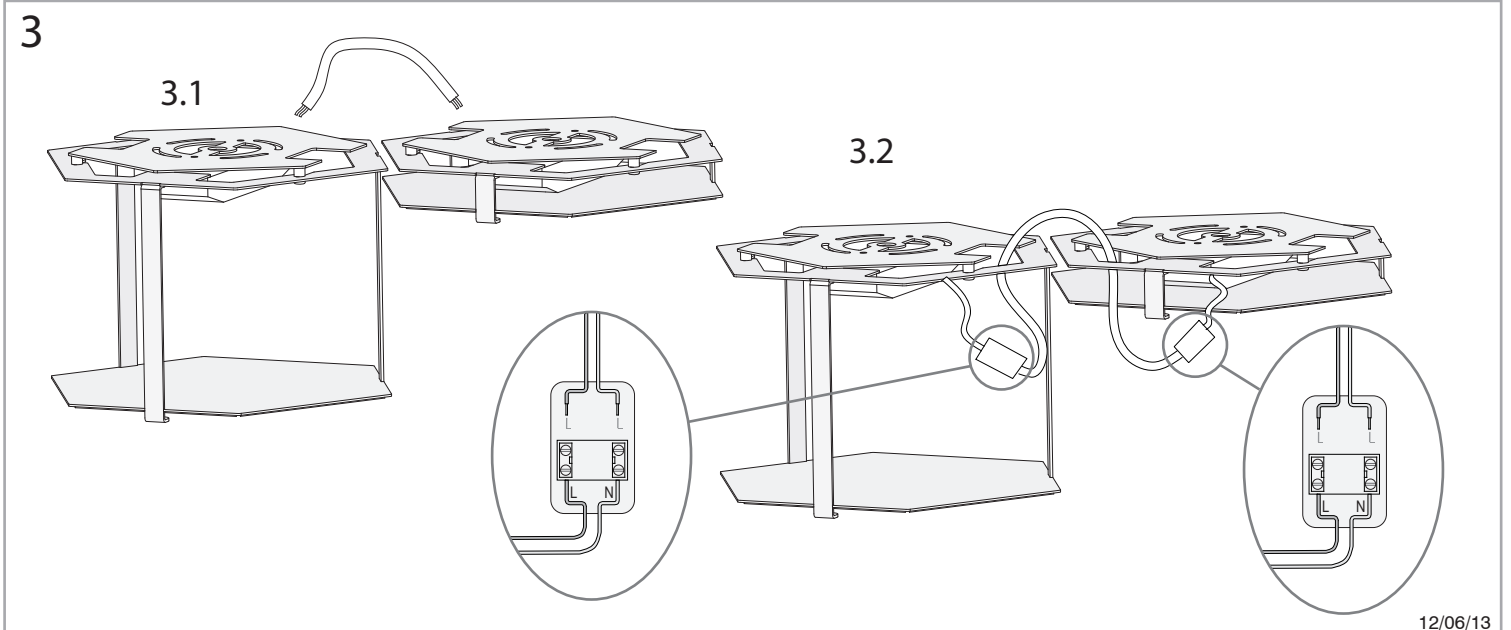
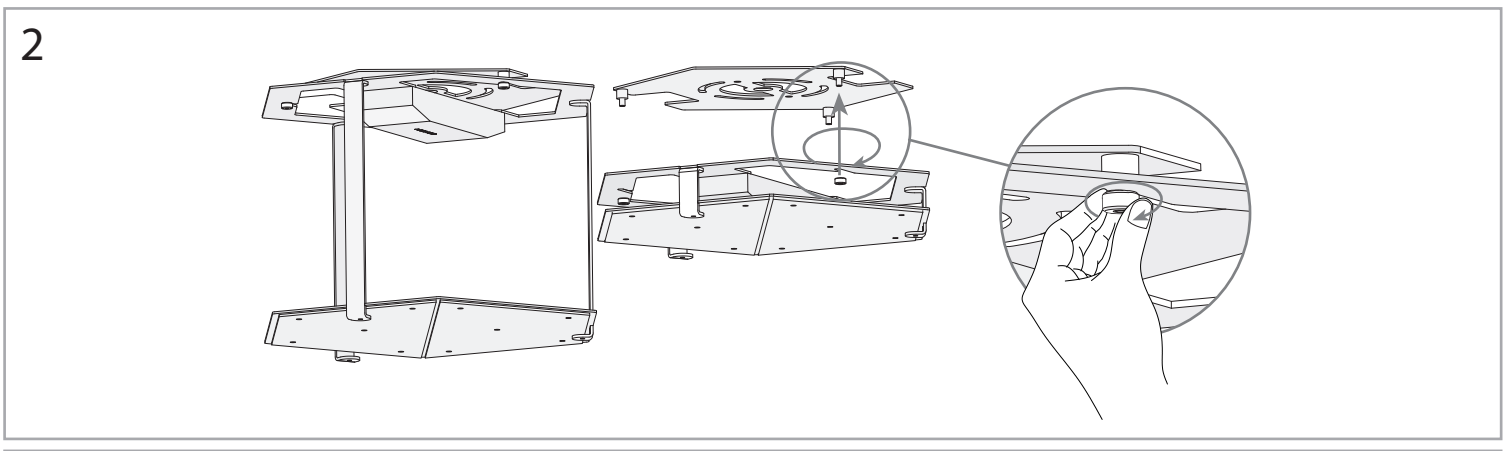
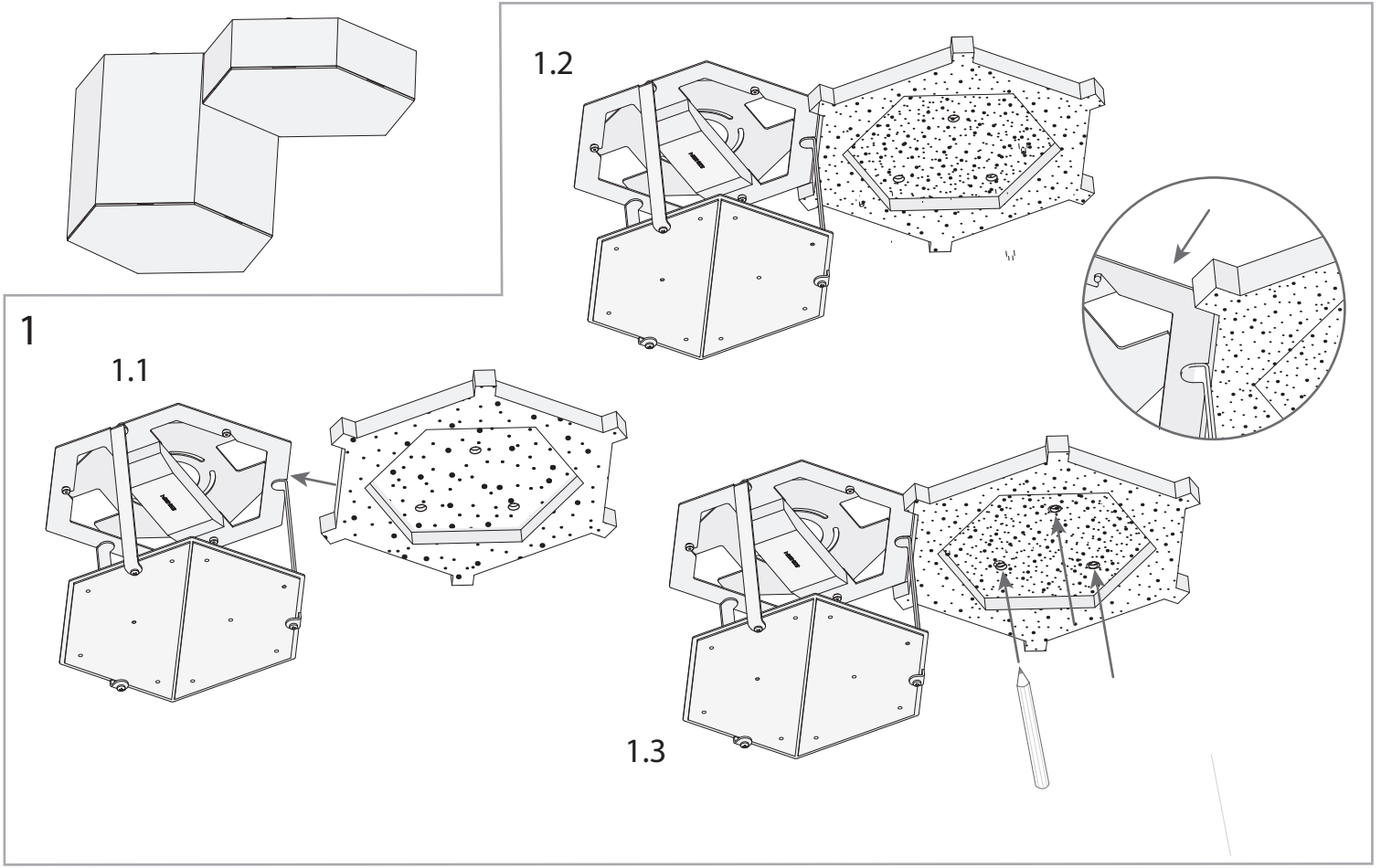
C Halfplanes  
 180.0 — 0.0  
 270.0 — 90.0

ULOR 0.00 %  
 DLOR 100.00 %  
 RN 0.00 %

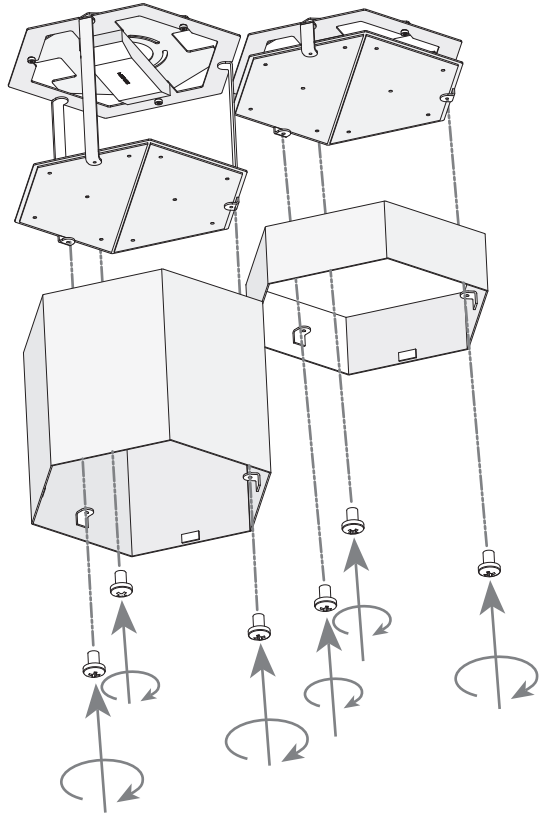




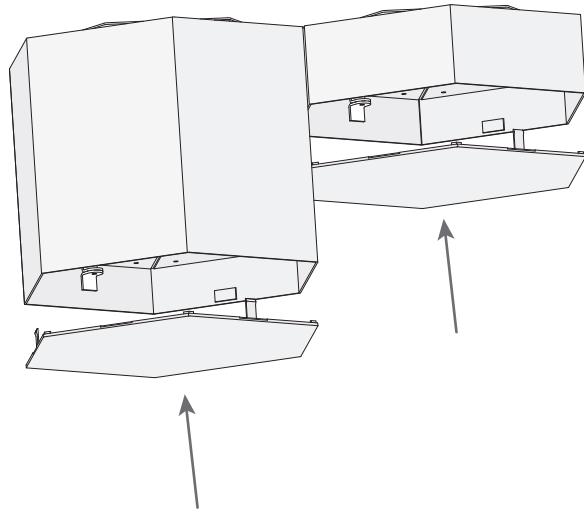




4



5



6

