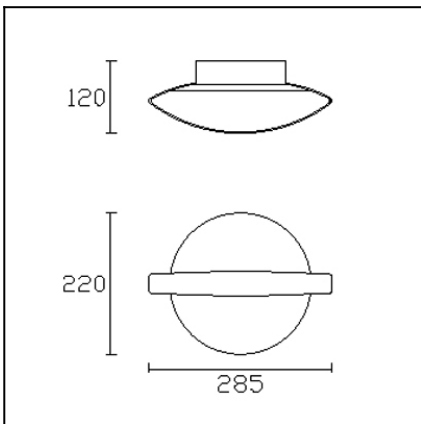


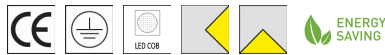
The photograph may not match the reference exactly. Please read the product description to identify the finish.



Download photometric file .ldt / .ies

### TECHNICAL CHARACTERISTICS

Type:	Ceiling fixture
IP Protection degrees:	IP23
Bulb:	1 x LED Sharp. Warm White - 3000K
Power (W):	LED Sharp 9
Luminous efficacy (Lm/W):	95
CRI:	80
Voltage / Frequency:	100-240V/50-60Hz
Warranty (Years):	2
Option to extend the guarantee:	Yes, 5 years
Units per box:	6
Net Weight (Kg):	1.12
EAN:	8435381404963,00



### MATERIALS / FINISHES

<b>Structure material:</b>	Steel Aluminium
<b>Structure finish:</b>	Matt white Matt white

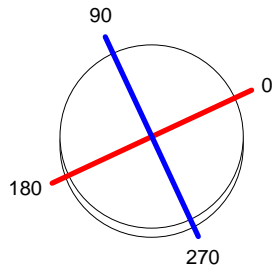
### GEAR

Multi-voltage electronic gear included (110-240 V / 50-60 Hz)

<b>Luminaire</b>		<b>Measur.</b>		<b>Lamp</b>	
Code	15-2020-14-14	Code	15-2020-14-14	Code	15-2020-14-14
Name	Aplique 1 led 9W	Name	Aplique led 9W	Number	1
Line	- LEDS C4 LEDS	Date	14-11-2013	Position	Universal
Efficiency	100.00%	Coordinate system	CG	Total Flux	671.00 lm
Maximum value	182.23 cd	Position	C=0.00 G=0.00	Double Symmetrical	
Round Luminaire	Diam.	283 mm	Height	117 mm	
Round Luminous Area	Diam.	220 mm	Height	0 mm	
Horizontal Luminous Area	0.038013 m2	Emitting area on Plane 180°	0.000000 m2	Emitting area on Plane 270°	0.000000 m2
Emitting area on Plane 0°	0.000000 m2	Glare area at 76°	0.009196 m2		
Emitting area on Plane 90°	0.000000 m2				
Symmetry Type	Double Symmetrical	Maximum Gamma Angle	180	Measurement Flux	671.00 lm
Measurement Distance	6.44				
Operator	Asselum T2	Source voltage	230.00 V		
Temperature	20.00 °C	Source current			
Humidity	52.00 %	Photocell	PRC		
Notes					

Luminaire Lamps						
Line	Code	Name	Flux [lm]	Pow. [W]	Q.ty	
- LEDS C4 LEDS	15-2020-14-14	Lámpara led 9W	671.00	9.00	1	
C.I.E.	43 74 94 78 100	D DIN 5040				B31
F UTE	0.78 E + 0.22 T	B NBN				BZ 5

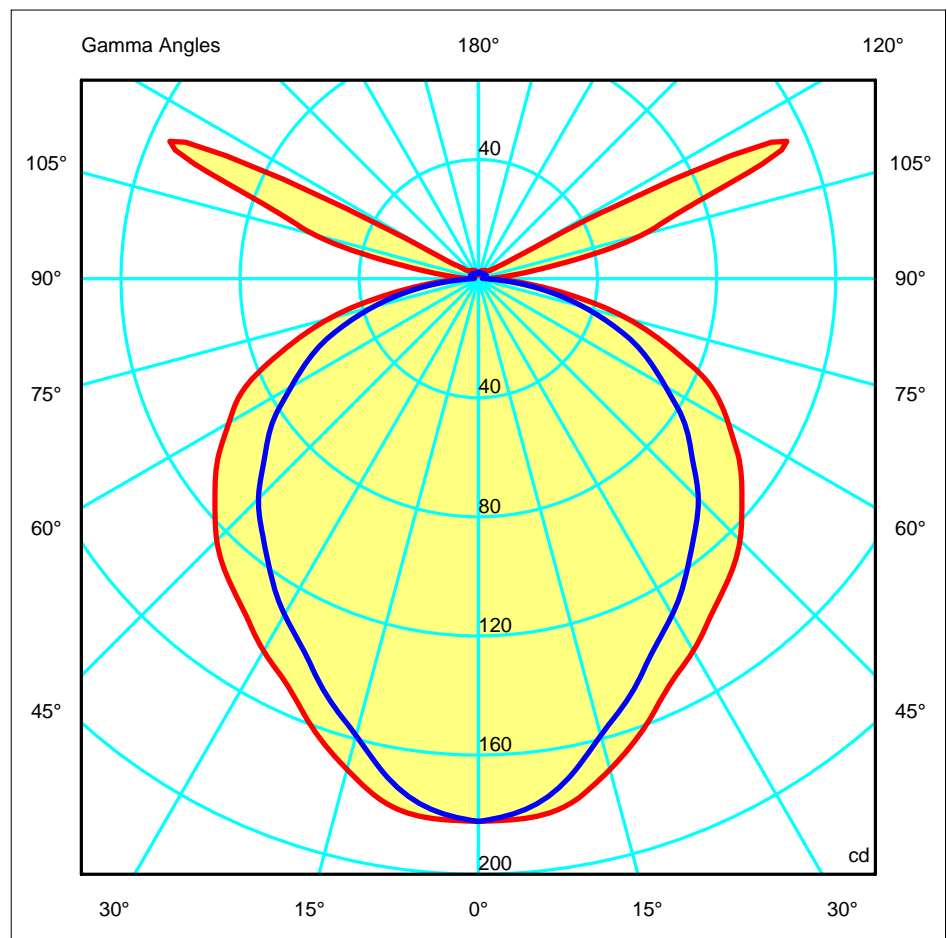
Diam=283mm

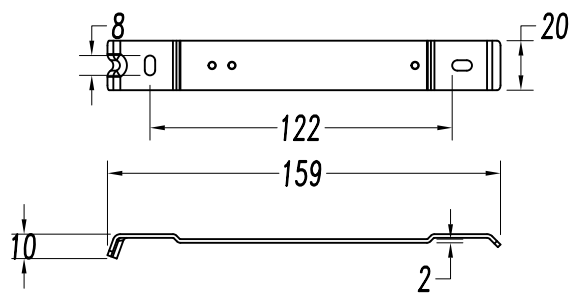
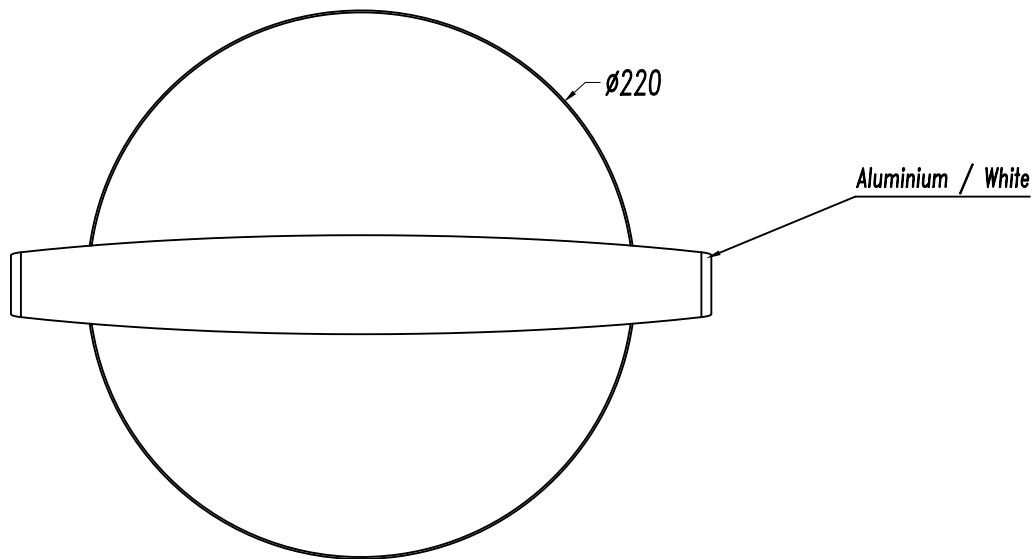
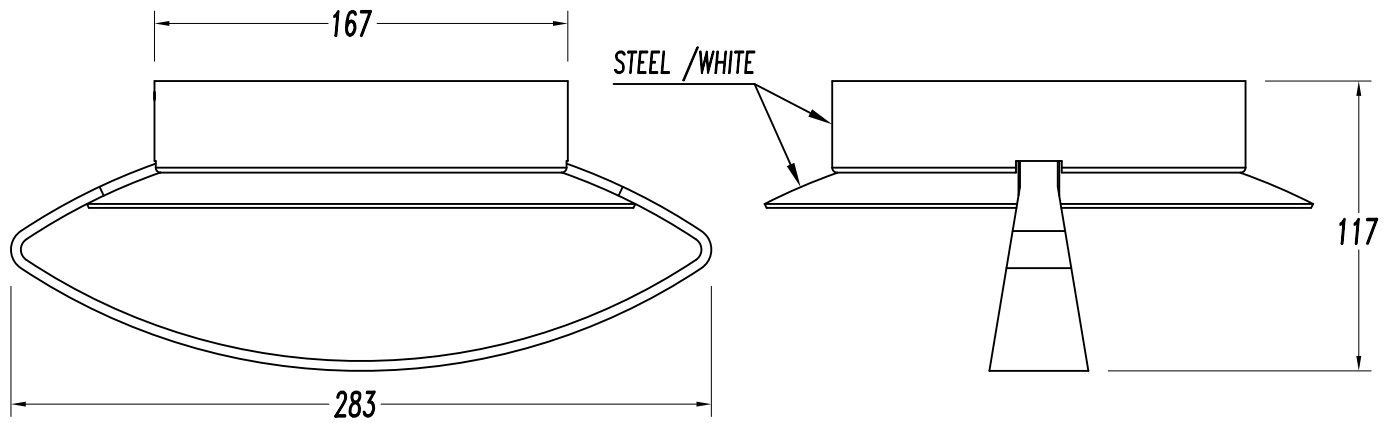


C Halfplanes

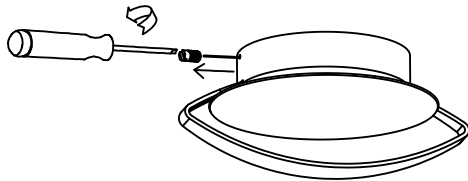
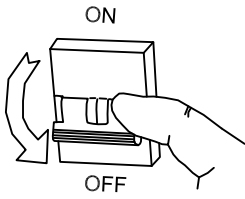
180.0 — 0.0  
270.0 — 90.0

ULOR 22.14 %  
DLOR 77.86 %  
RN 22.14 %

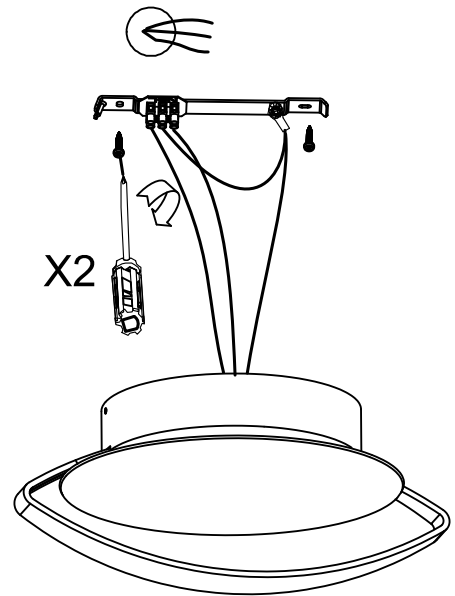




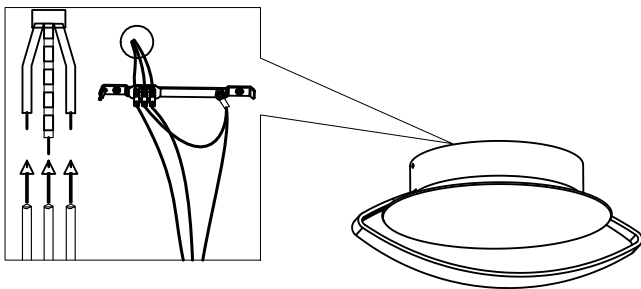
**1**



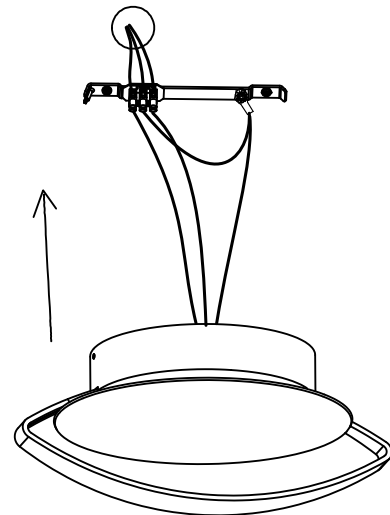
**2**



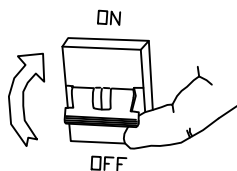
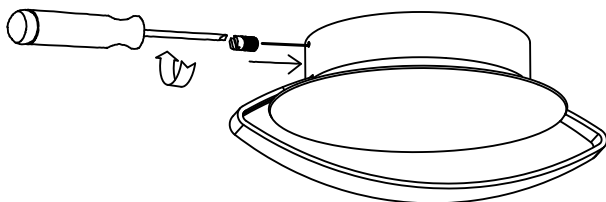
**3**



**4**



**5**



**6**

