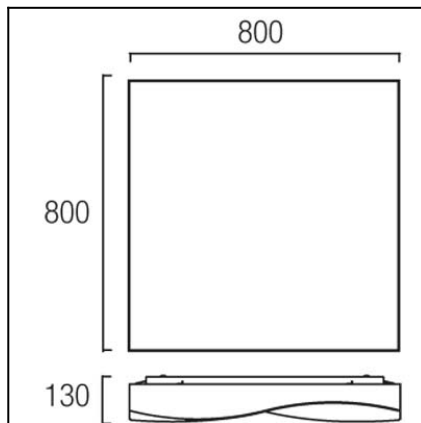


Design by Josep Patsí


The photograph may not match the reference exactly. Please read the product description to identify the finish.


TECHNICAL CHARACTERISTICS

Type:	Ceiling fixture
IP Protection degrees:	IP20
Lampholder:	4 x 2G11
Power (W):	2G11 55W
Bulb included:	4 x 2G11 55W. Warm white (<3700 K)
Voltage / Frequency:	220-240V/50-60Hz
Warranty (Years):	2
Units per box:	1
Net Weight (Kg):	12.63
EAN:	8435111063644,00


MATERIALS / FINISHES

Structure material: Satin aluminium	Diffuser material: Methacrylate
Structure finish: Anodized	Diffuser finish: Opal

GEAR

Gear included: Yes, electronic

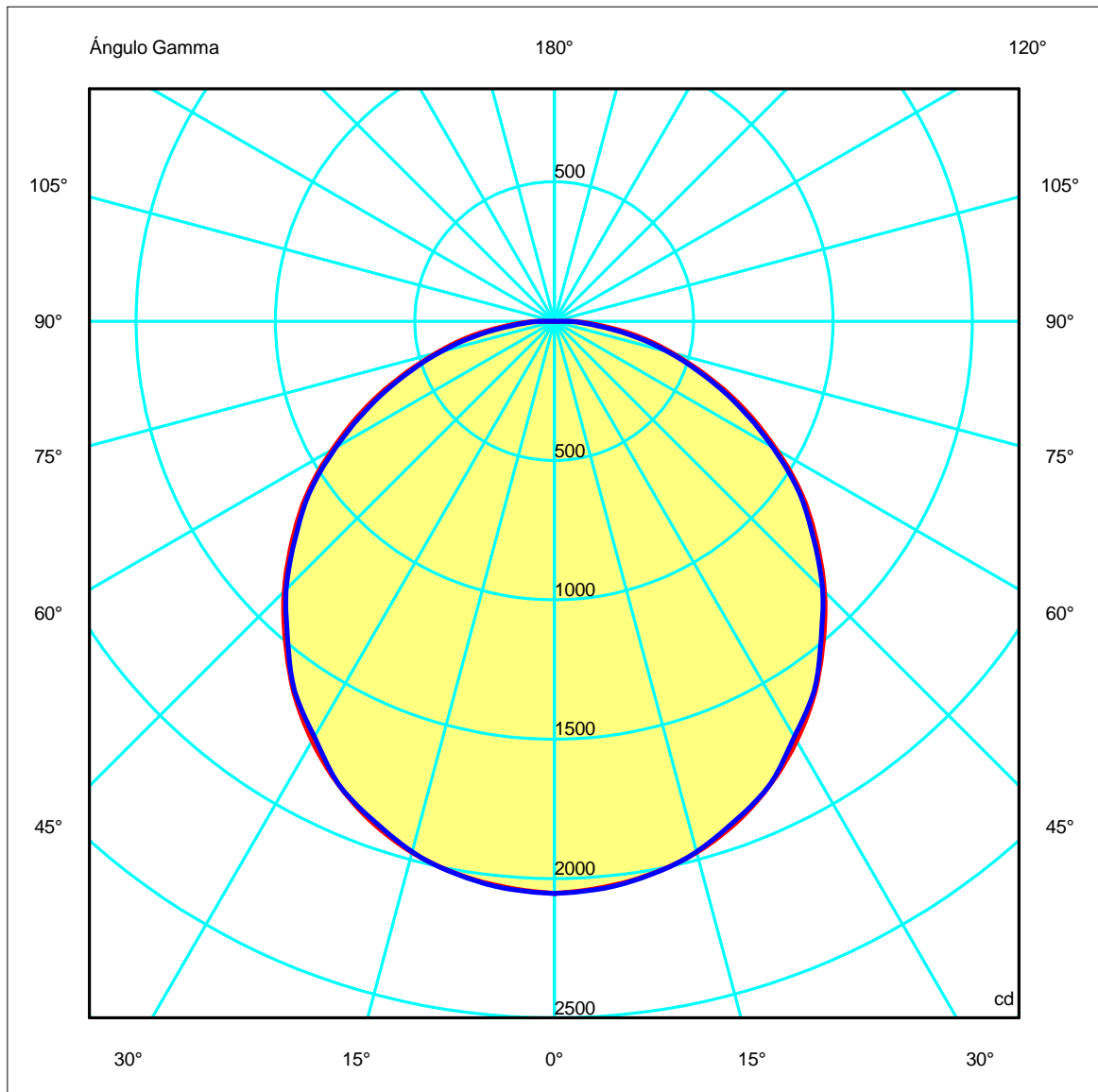
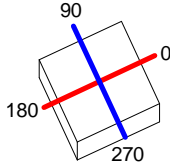
[Download photometric file .ldt / .ies](#)

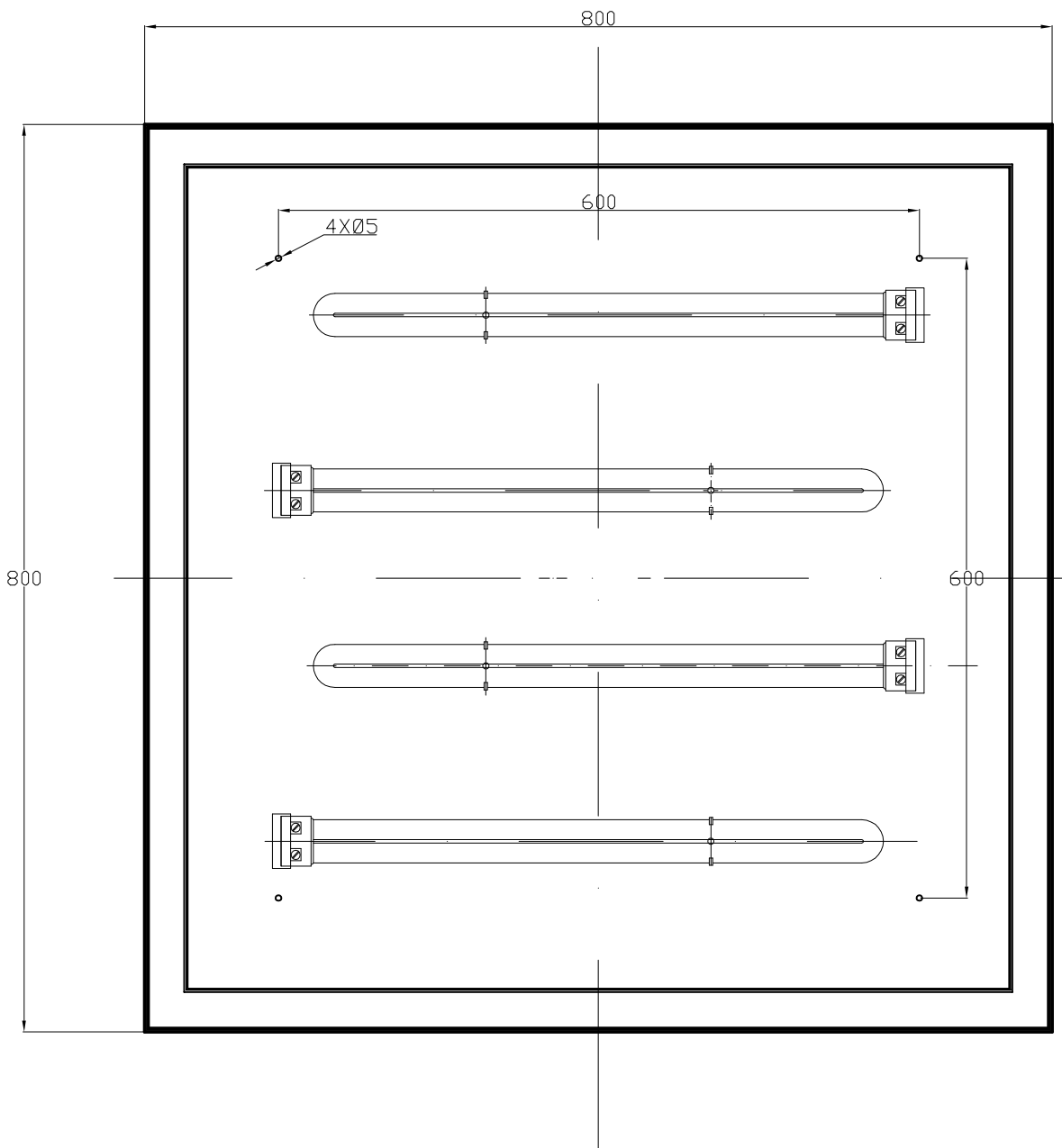
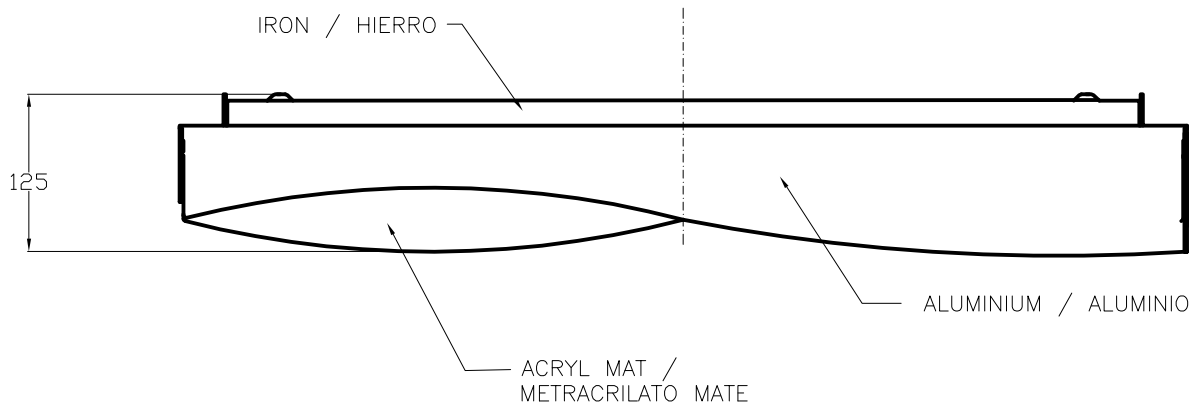
Luminaria		Ensayo		Lámpara	
Código	15-2781-S2-M1	Código	15-2781-S2-M1	Código	DL5512
Nombre	Plafón 4x55W 2G11 opal	Nombre	Plafón 4x55W 2G11 opal	Número	4
Familia	- LEDS-C4	Fecha	26-02-2010	Posición	
Eficiencia	49.40%	Sist. de Coorden.	C-G	Flujo Total	12000.00 lm
Valor Máximo	2052.60 cd	Posición	C=0.00 G=0.00	Bisimétrico	

800mm x 800mm

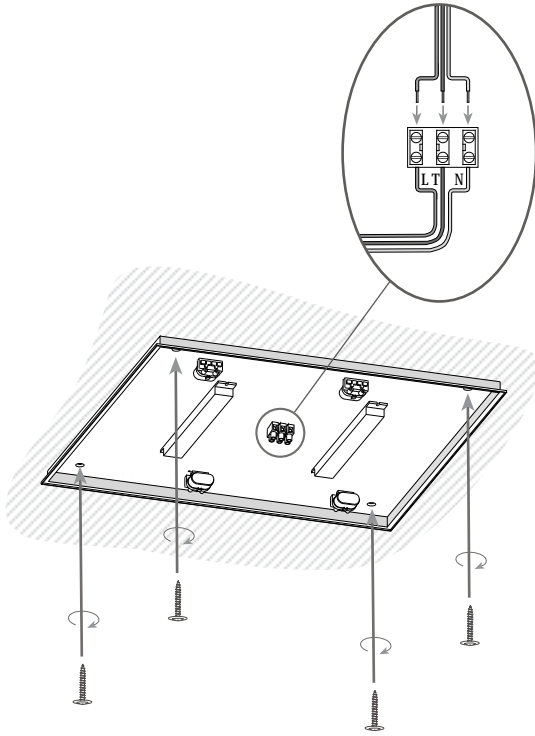
Semiplanos C

 180.0  0.0

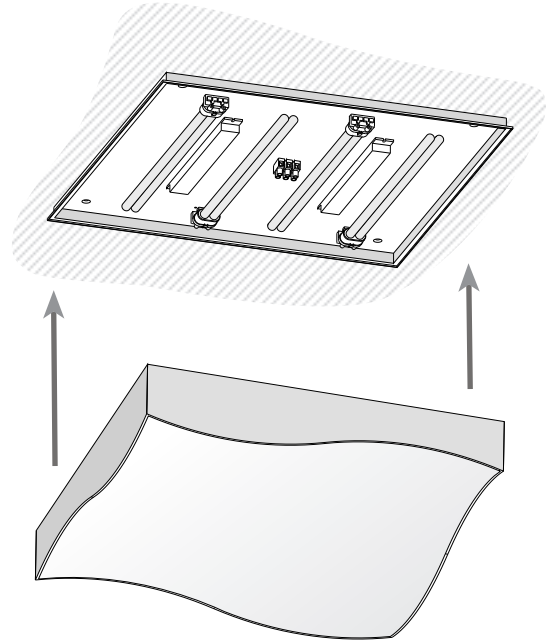
 270.0  90.0




1



2



3

