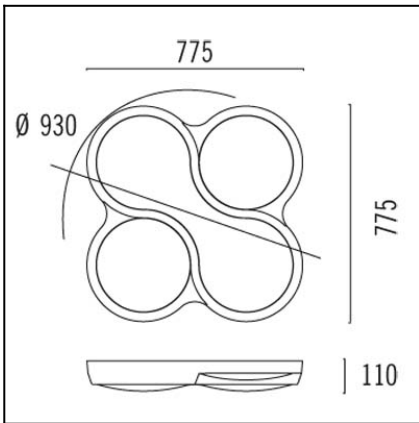


Design by Josep Patsí


The photograph may not match the reference exactly. Please read the product description to identify the finish.


TECHNICAL CHARACTERISTICS

Type:	Ceiling fixture
IP Protection degrees:	IP20
Lampholder:	4 x 2GX13. Neutral white (5000 - 3700 K)
Power (W):	2GX13 55W
Bulb included:	4 x 2GX13 55W. Neutral white (5000 - 3700 K)
Voltage / Frequency:	220-240V/50-60Hz
Warranty (Years):	2
Units per box:	1
Net Weight (Kg):	9.81
EAN:	8435111071083,00


MATERIALS / FINISHES
Structure material: Polyurethane

Diffuser material: Methacrylate

Structure finish: Matt white

Diffuser finish: Opal

GEAR

Gear included: Yes, electronic

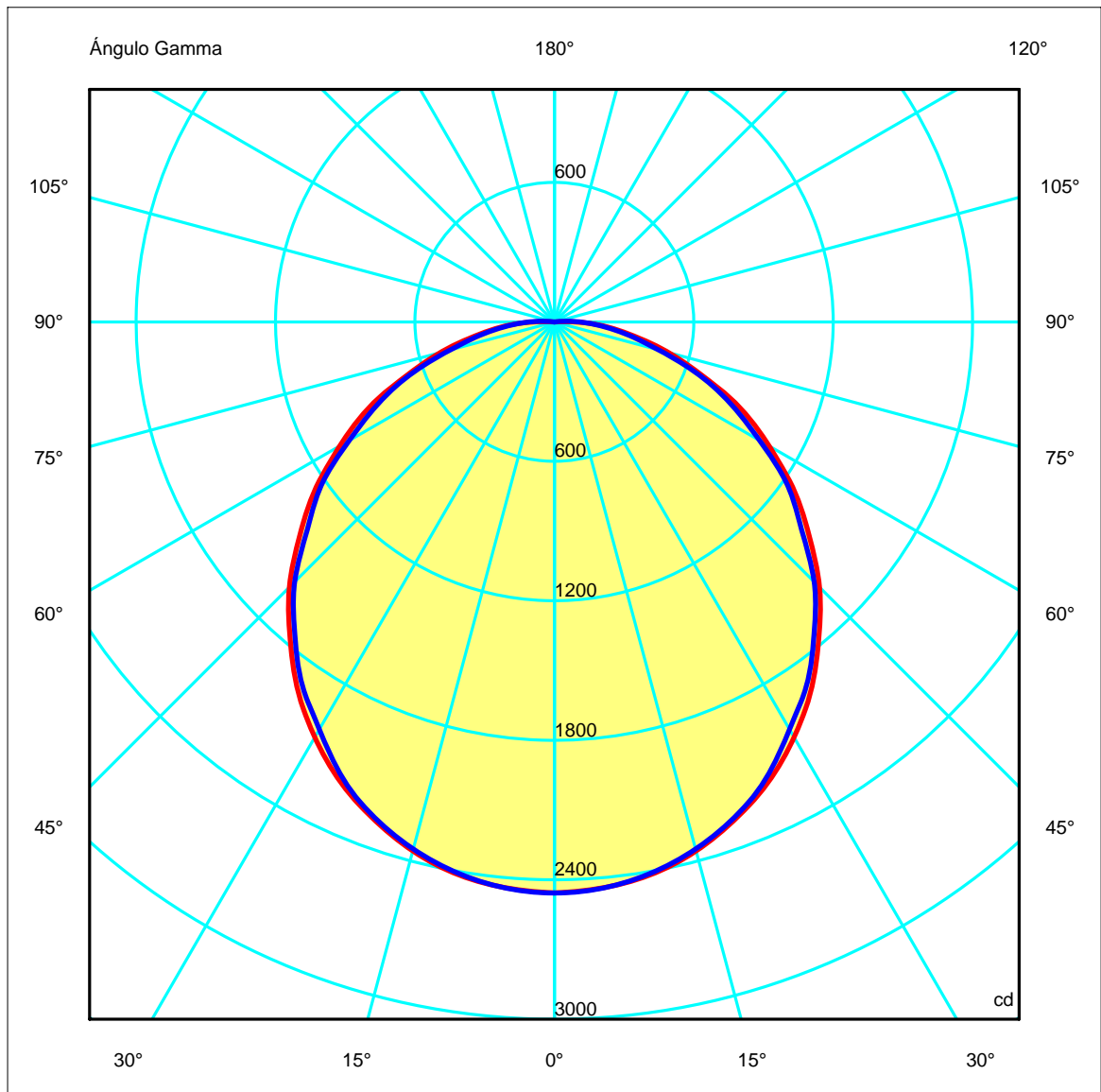
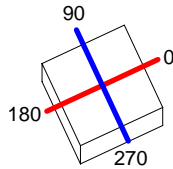
[Download photometric file .ldt / .ies](#)

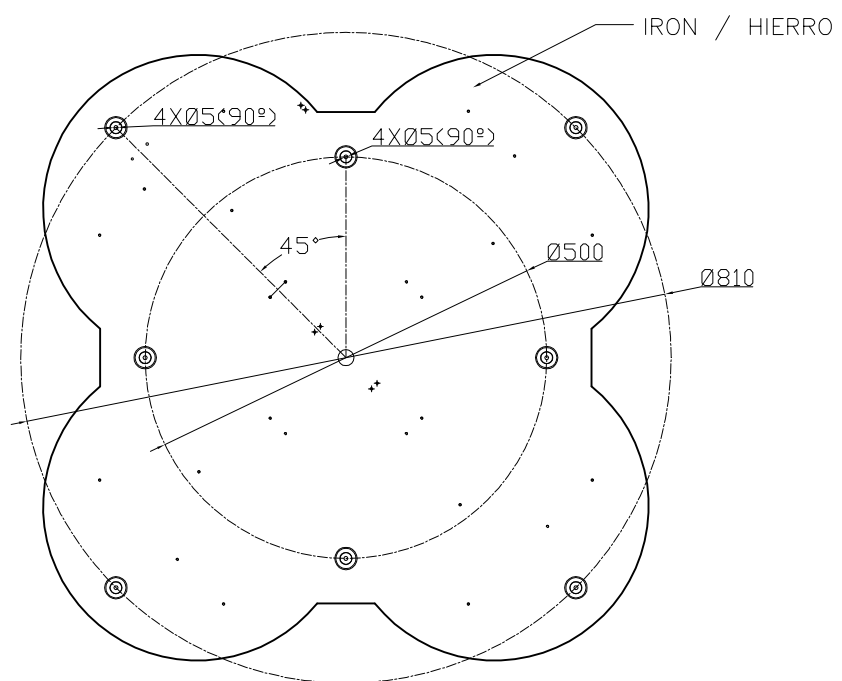
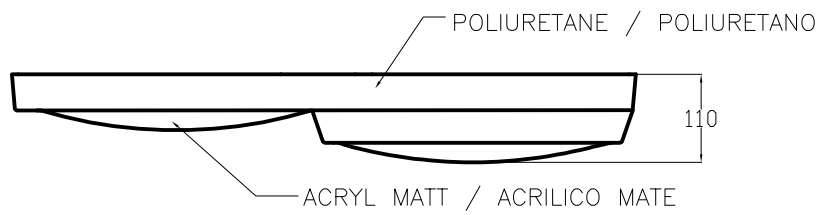
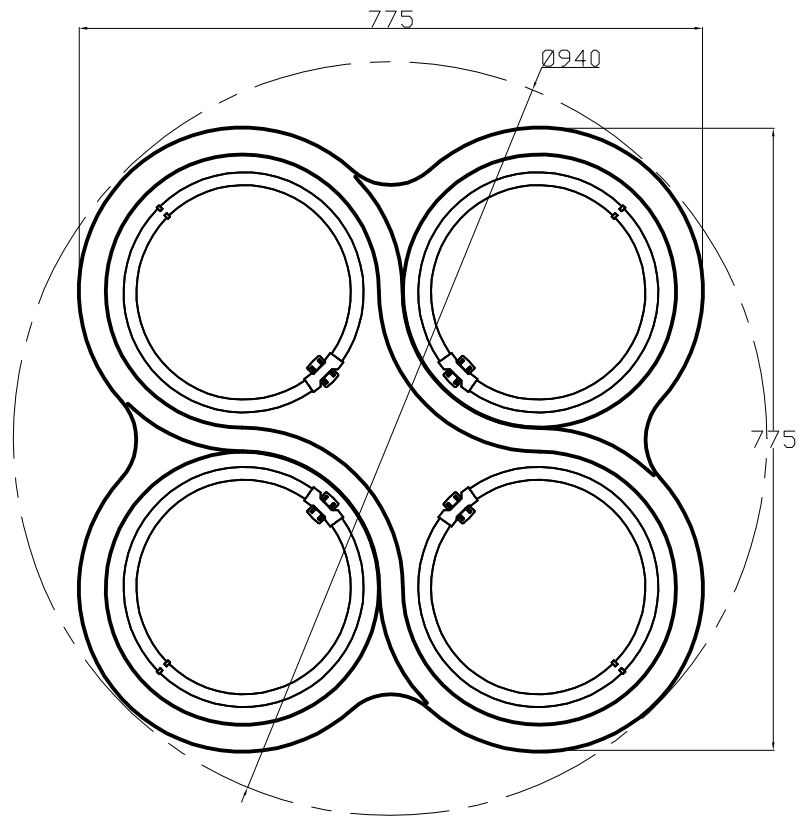
Luminaria		Ensayo		Lámpara	
Código	15-2807-14-M1	Código	15-2807-14-M1	Código	TL5 cir s80p 55W/840
Nombre	Plafón OCHO 4x55W 2GX13 opal	Nombre	Plafón OCHO 4x55W 2GX13 opal	Número	4
Familia	- LEDS-C4	Fecha	10-06-2010	Posición	Universal
Eficiencia	41.25%	Sist. de Coorden.	C-G	Flujo Total	16800.00 lm
Valor Máximo	2456.54 cd	Posición	C=0.00 G=0.00	Bisimétrico	

930mm x 930mm

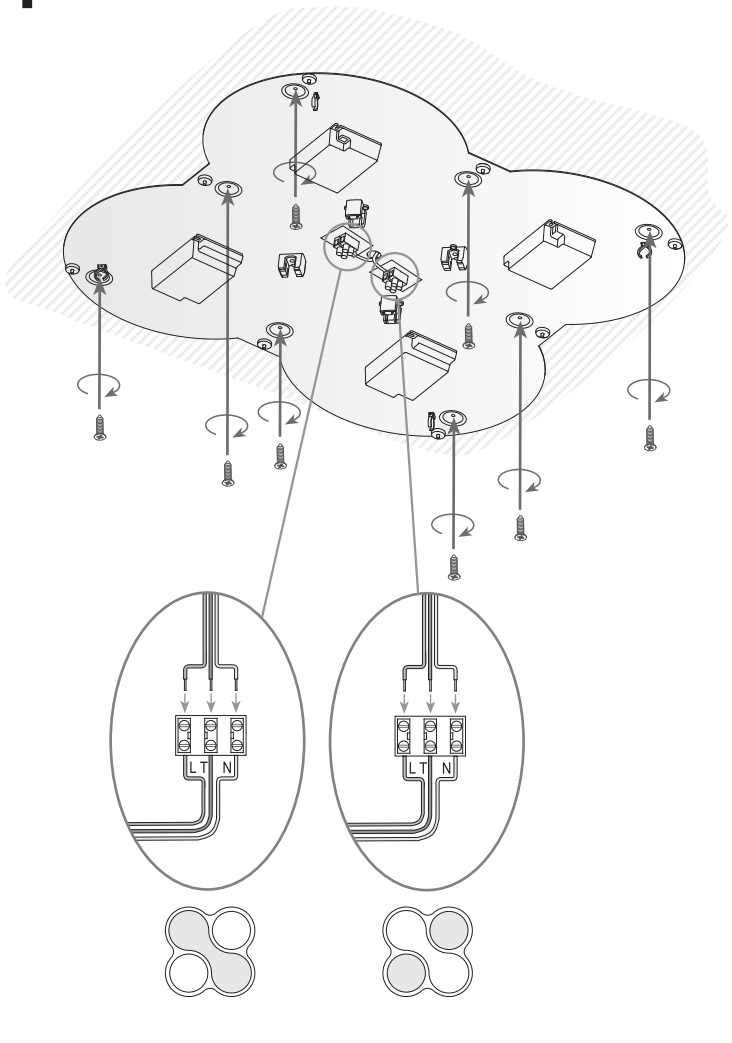
Semiplanos C

180.0 ————— 0.0
 270.0 ————— 90.0

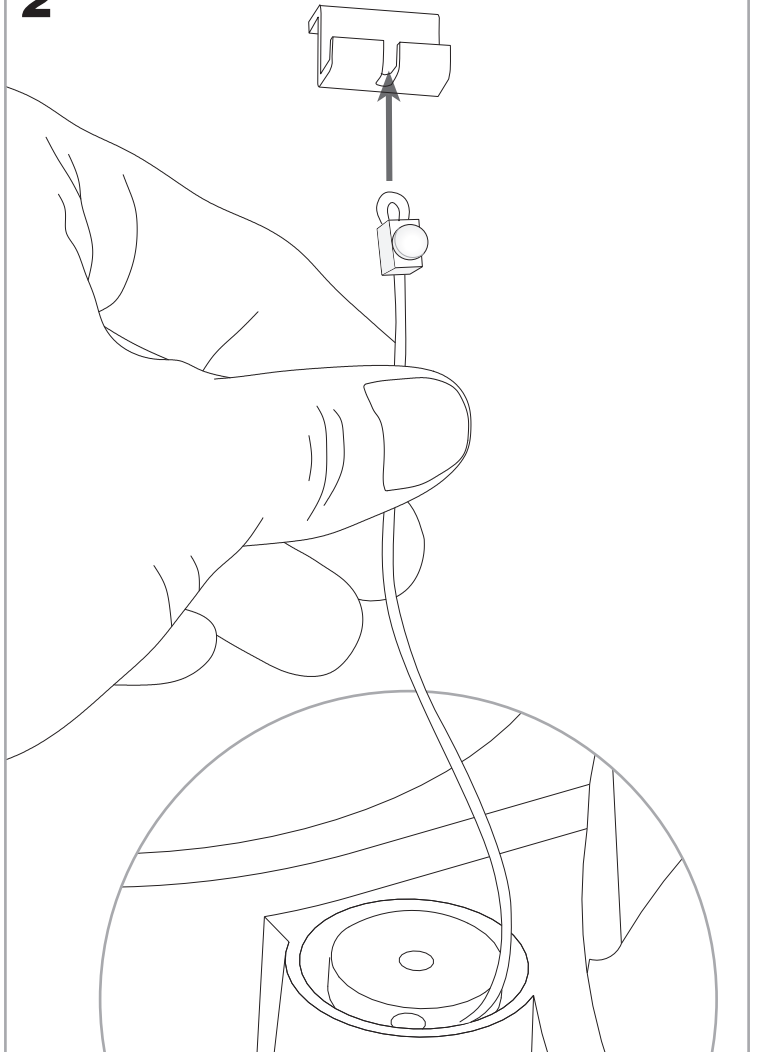




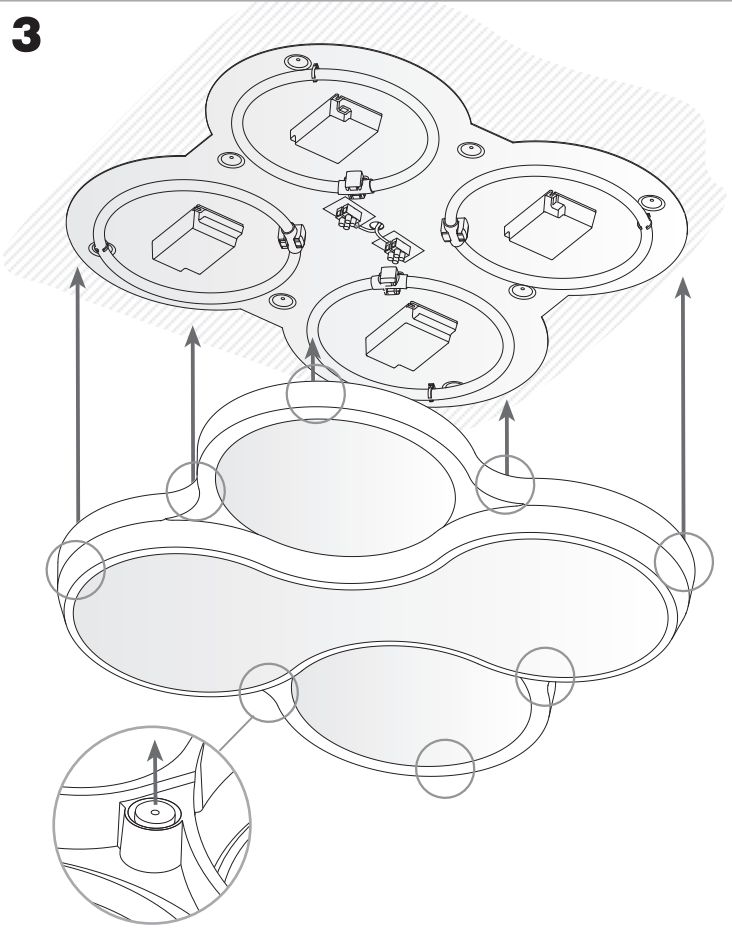
1



2



3



4

