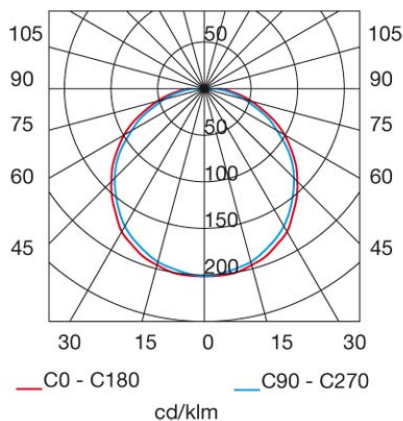
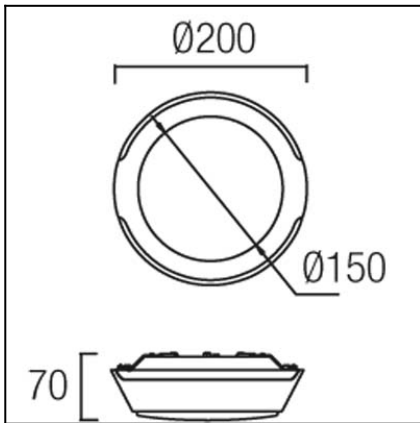


Design by Benedito Design



The photograph may not match the reference exactly. Please read the product description to identify the finish.



Download photometric file .ldt /.ies

TECHNICAL CHARACTERISTICS

Type:	Ceiling fixture
IP Protection degrees:	IP20
Lampholder:	1 x R7s
Power (W):	R7s 100W
Bulb included:	1 x R7s 80W
Total power consumption (W):	100
Voltage / Frequency:	230V/50-60Hz
Warranty (Years):	2
Units per box:	6
Net Weight (Kg):	1.38
EAN:	8435111073681,00



MATERIALS / FINISHES

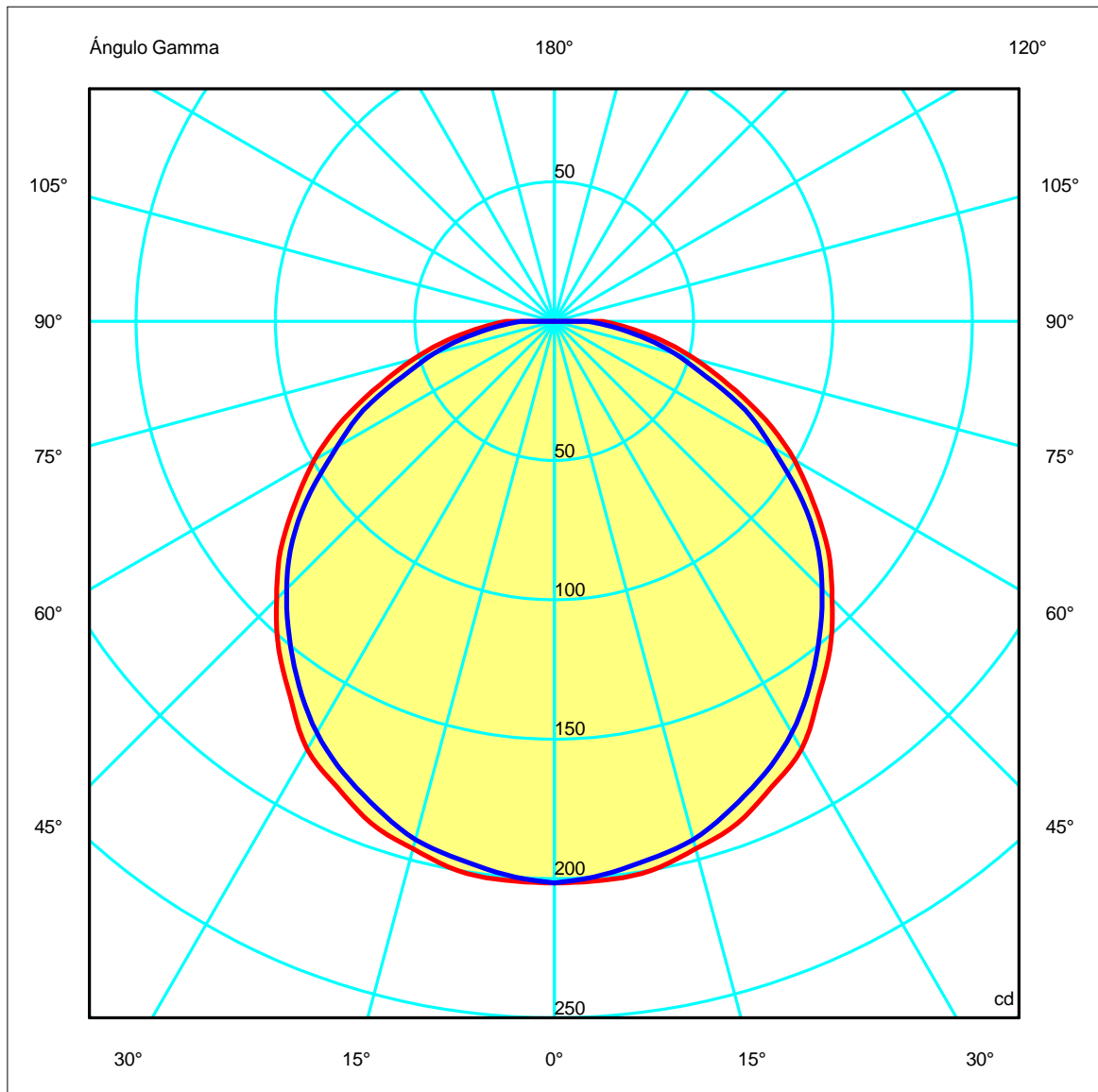
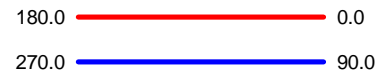
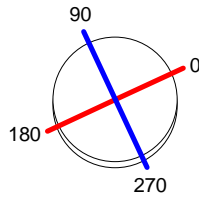
Structure material: Zamak
Structure finish: Chrome

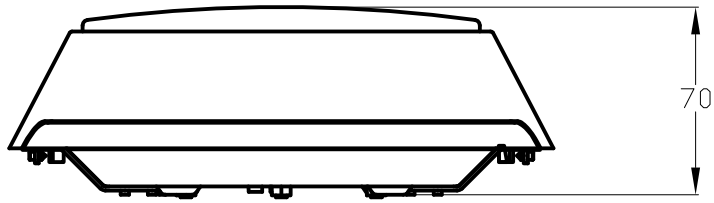
Diffuser material: Glass
Diffuser finish: Triplex opal glass

Luminaria Código 15-4332-21-F9 Nombre Aplique R7s 100W Familia - LEDS-C4		Ensayo Código 15-4332-21-F9 Nombre Aplique 100W R7S Fecha 13-02-2010		Lámpara Código 100T3 Q/CL/CP 230V Número 1 Posición Universal	
Eficiencia	38.84%	Sist. de Coordin.	C-G	Flujo Total	1600.00 lm
Valor Máximo	202.23 cd	Posición	C=45.00 G=5.00	Bisimétrico	

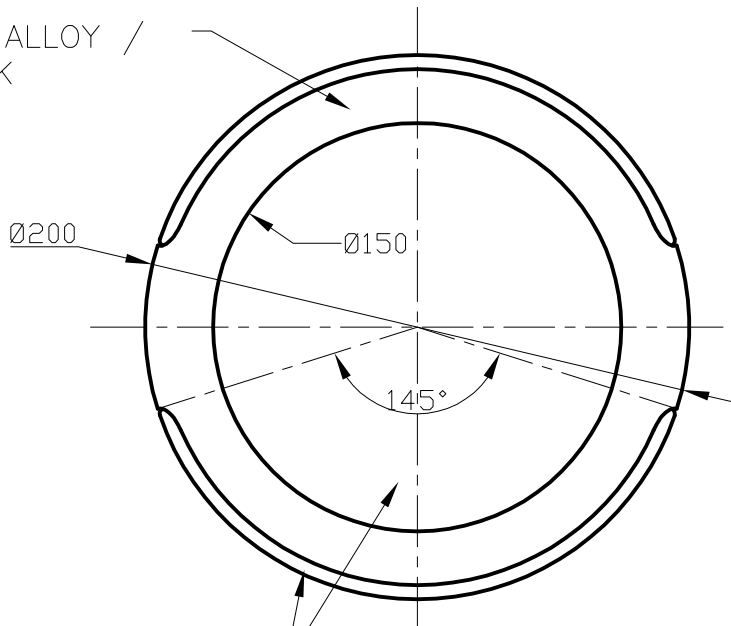
Diam=200mm

Semiplanos C

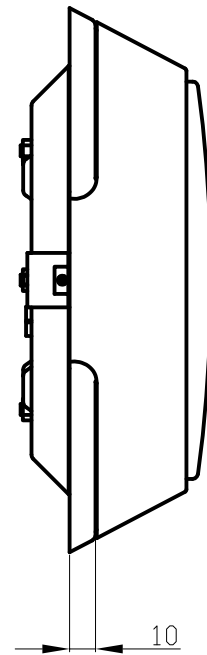




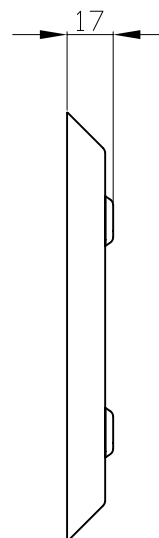
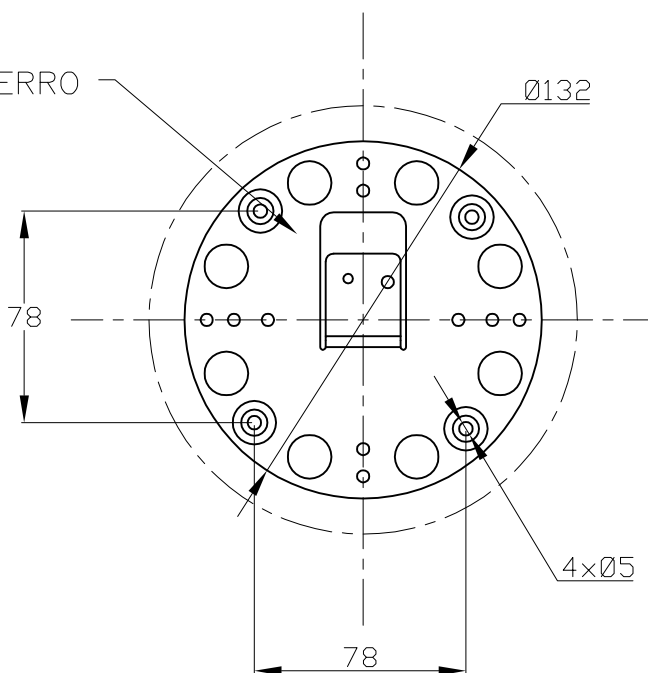
ZINC ALLOY /
ZAMAK



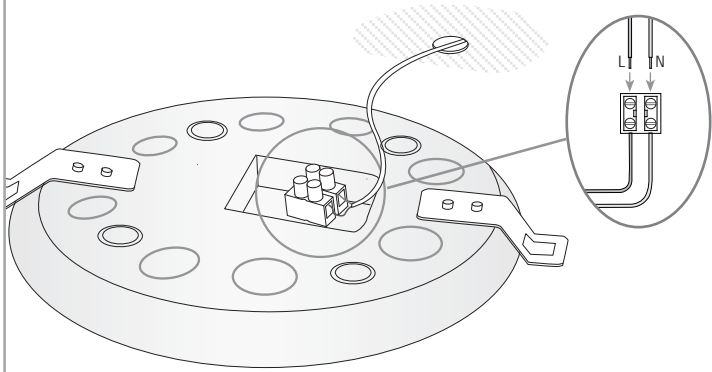
MATT OPAL GLASS /
CRISTAL OPAL MATE



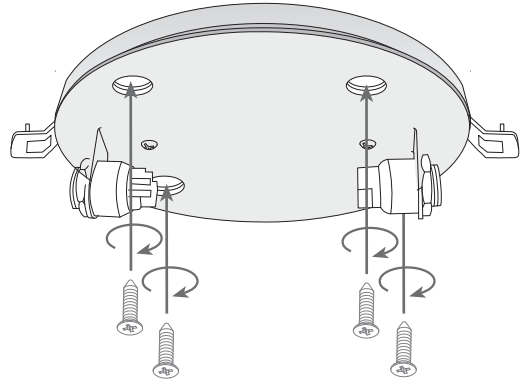
IRON / HIERRO



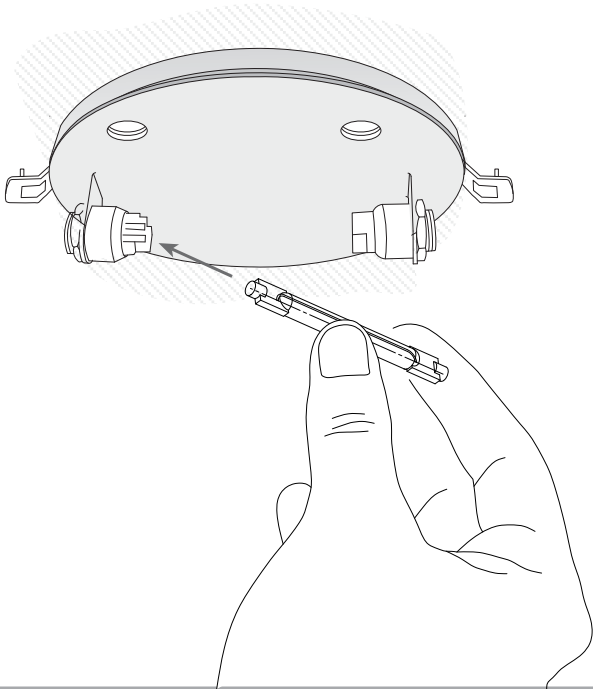
1



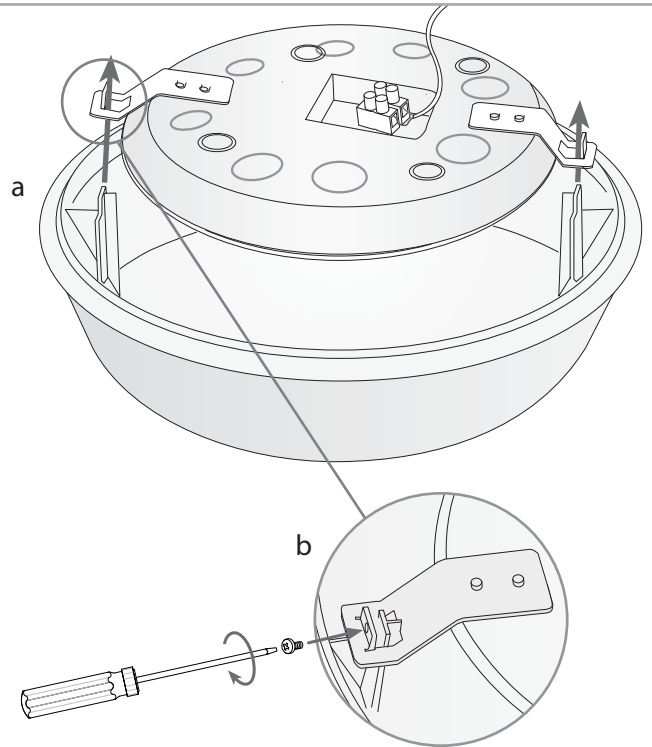
2



3



4



5

