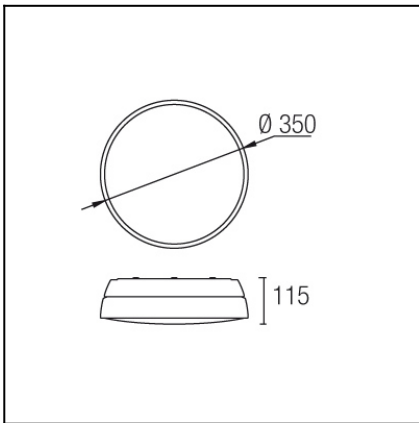


Design by Nahtrang Design


The photograph may not match the reference exactly. Please read the product description to identify the finish.



[Download photometric file .ldt / .ies](#)

TECHNICAL CHARACTERISTICS

Type:	Ceiling fixture
IP Protection degrees:	IP44
Lampholder:	2 x E27
Power (W):	E27 40W
Total power consumption (W):	80
Voltage / Frequency:	220-240V/50-60Hz
Warranty (Years):	2
Units per box:	4
Net Weight (Kg):	2.33
EAN:	8435111080344,00


MATERIALS / FINISHES

Structure material: Steel

Diffuser material: Glass

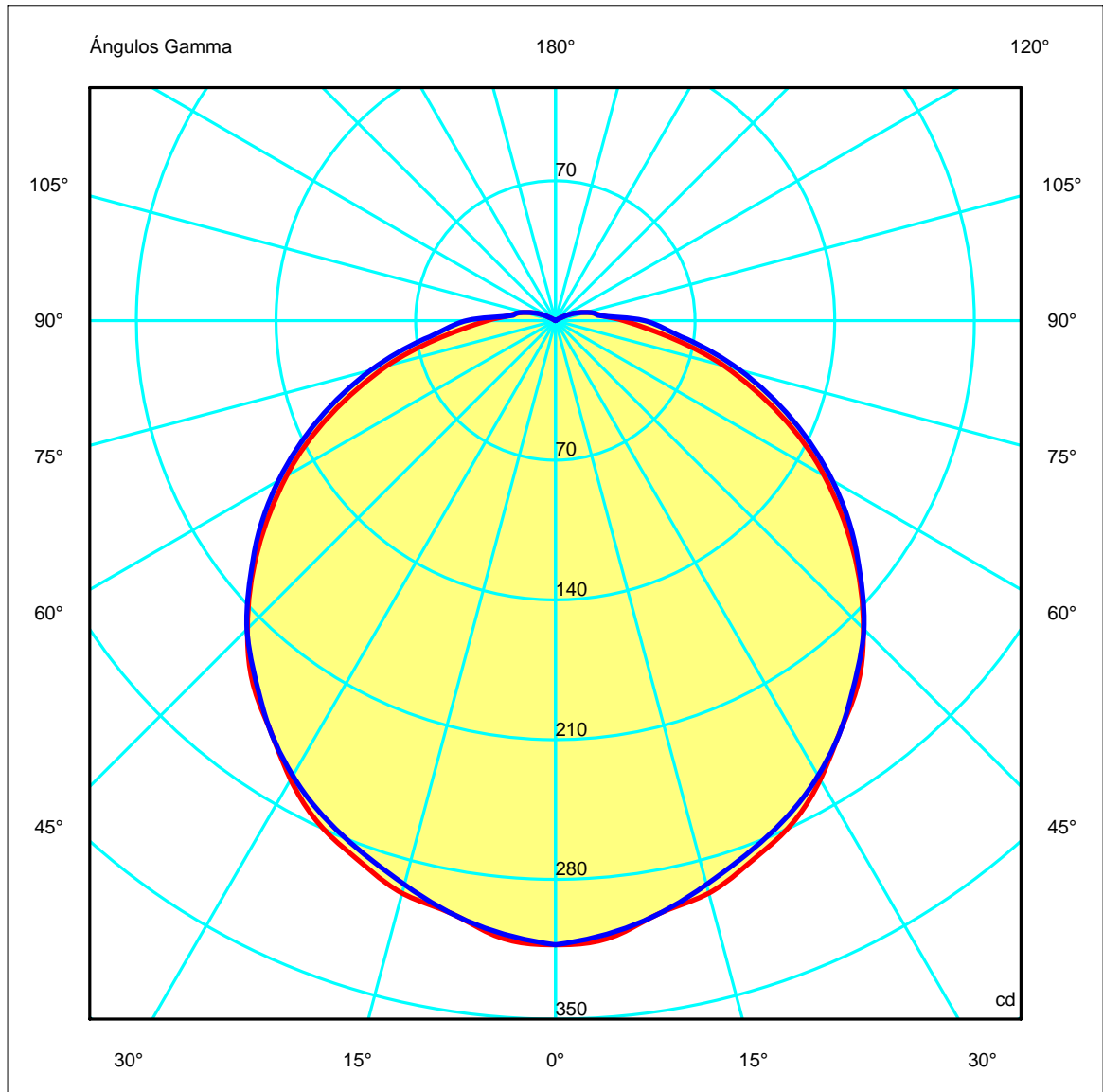
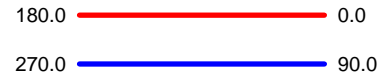
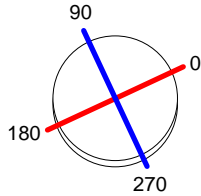
Structure finish: Chrome

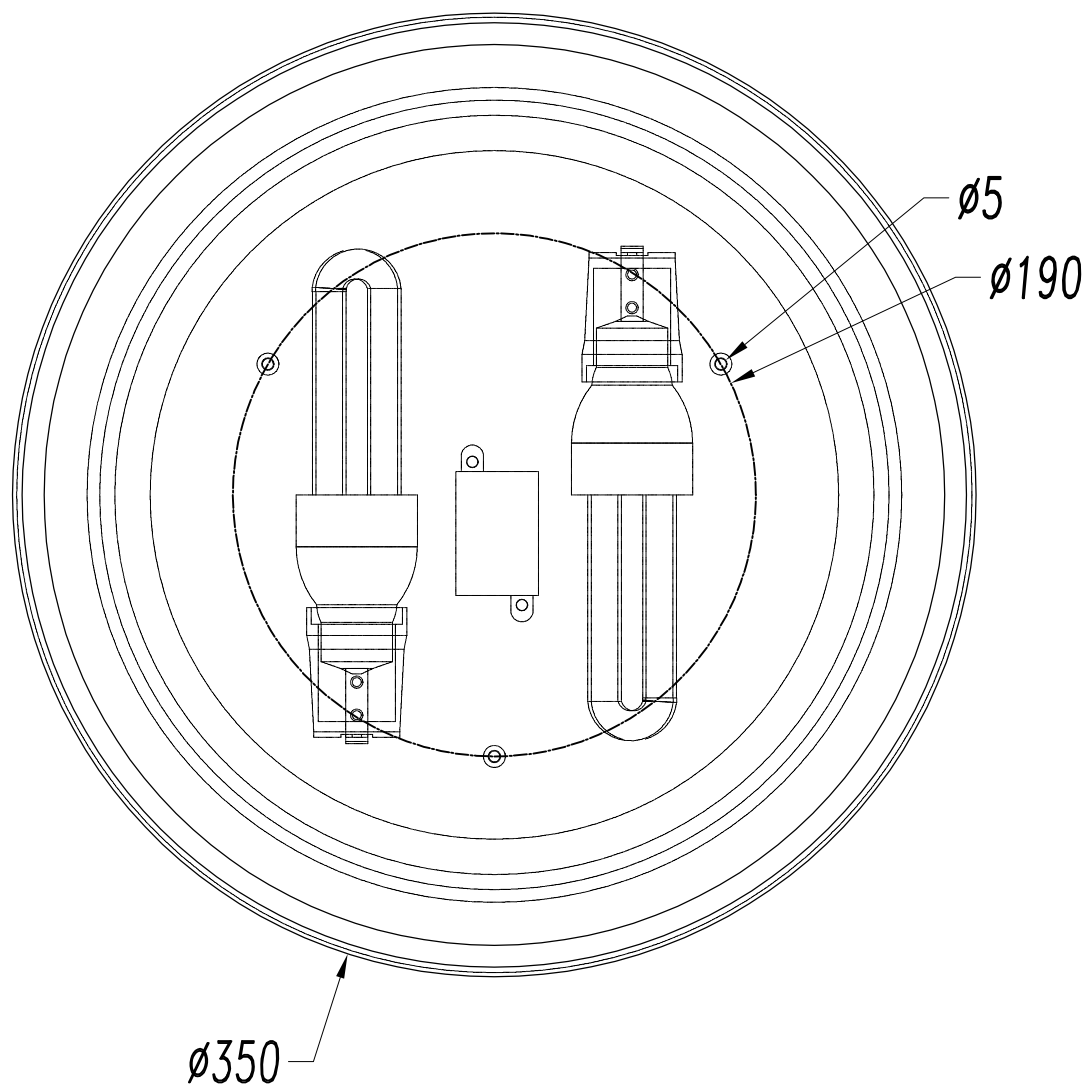
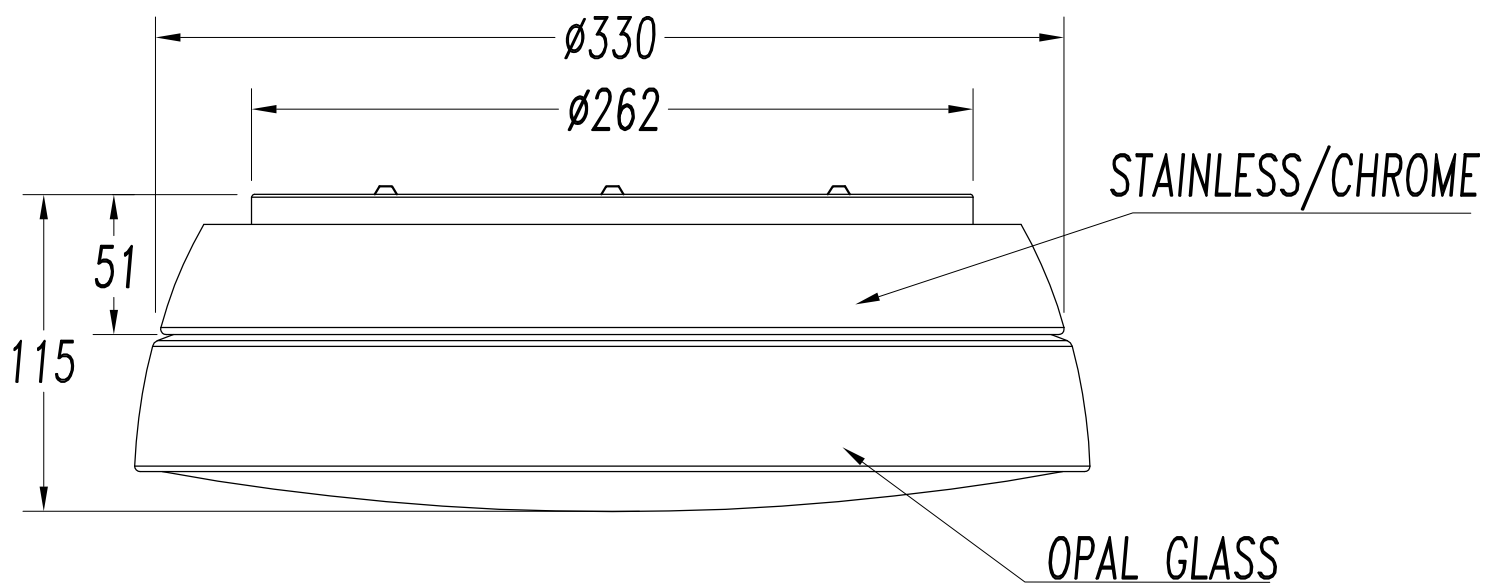
Diffuser finish: Matt opal

Luminaria		Ensayo		Lámpara	
Código	15-4370-21-F9	Código	15-4370-21-F9	Código	DLX EL LL 23W827E27
Nombre	Plafón 2x23W fluor E27 opal	Nombre	Plafón 2x23W fluor E27 opal	Número	2
Familia	- LEDS-C4	Fecha	19-11-2010	Posición	Universal
Rendimiento	34.49%	Sist. de Coorden.	C-G	Flujo Total	3000.00 lm
Valor Máximo	312.75 cd	Posición	C=0.00 G=0.00	Bisimétrico	

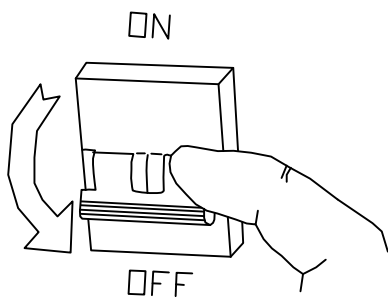
Diam=350mm

Semiplanos C

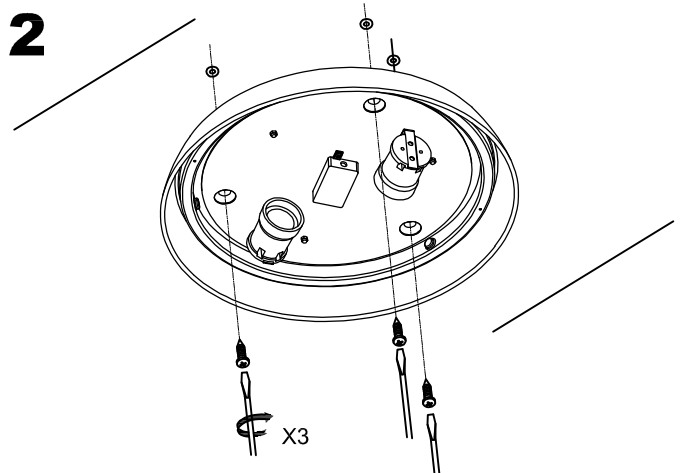




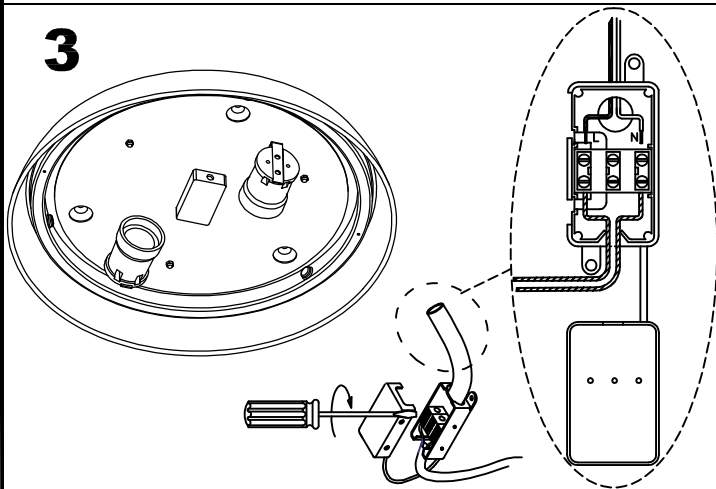
1



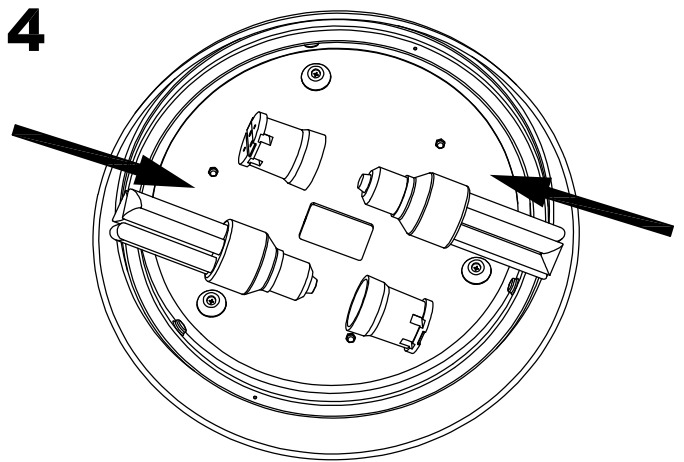
2



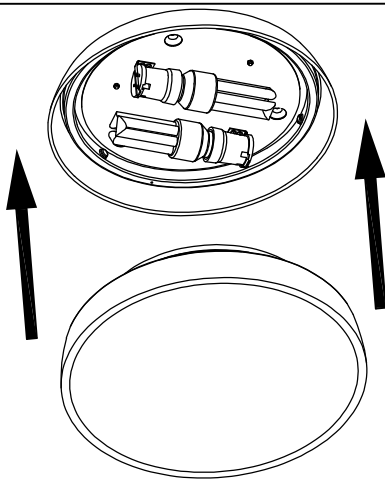
3



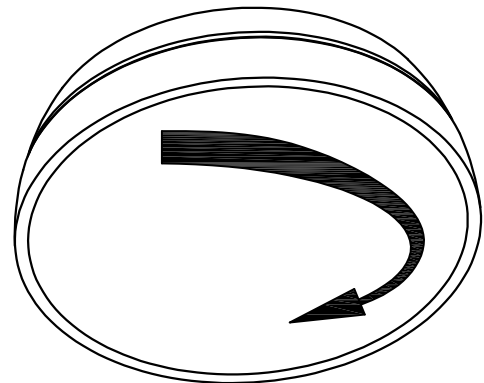
4



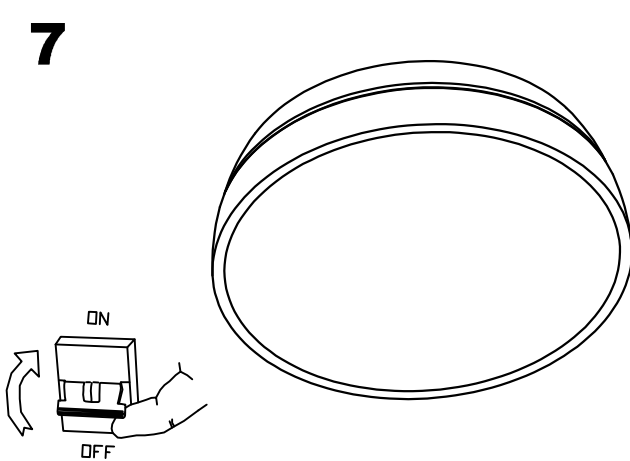
5



6



7



8

