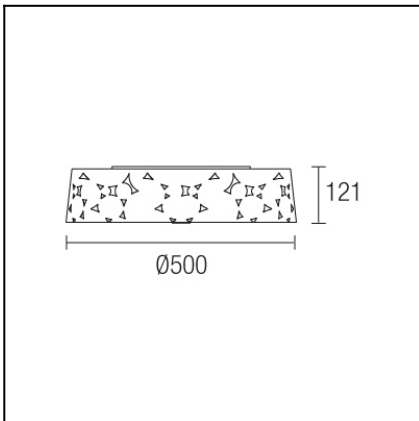


Design by Estudi Ribaudí



The photograph may not match the reference exactly. Please read the product description to identify the finish.



### TECHNICAL CHARACTERISTICS

Type:	Ceiling fixture
IP Protection degrees:	IP23
Lampholder:	3 x E27
Power (W):	E27 23
Total power consumption (W):	69
Voltage / Frequency:	220-240V/50-60Hz
Warranty (Years):	2
Units per box:	1
Net Weight (Kg):	3.29
EAN:	8435111084533,00



### MATERIALS / FINISHES

**Structure material:** Steel  
**Structure finish:** White

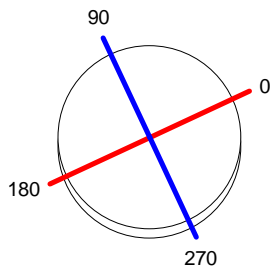
**Diffuser material:** Acrylic  
**Diffuser finish:** White  
 Opal

[Download photometric file .ldt / .ies](#)

Luminaire		Measur.		Lamp	
Code	15-4426	Code	15-4426	Code	STANDARD E-27 23W
Name	APLIQUE 3x23W	Name	APLIQUE 3x23W	Number	3
Line	Eulumdat	Date	21-10-2013	Position	
Efficiency	51.82%	Coordinate system	CG	Total Flux	4800.00 lm
Maximum value	568.73 cd	Position	C=90.00 G=10.00	Double Symmetrical	
Round Luminaire	Diam.	495 mm	Height	245 mm	
Round Luminous Area	Diam.	495 mm	Height	245 mm	
Horizontal Luminous Area	0.192442 m2	Emitting area on Plane 180°	0.121275 m2		
Emitting area on Plane 0°	0.121275 m2	Emitting area on Plane 270°	0.121275 m2		
Emitting area on Plane 90°	0.121275 m2	Glare area at 76°	0.164229 m2		
Symmetry Type	Double Symmetrical	Maximum Gamma Angle	180		
Measurement Distance	0.00	Measurement Flux	1599.00 lm		
Operator	Asselum T2	Source voltage			
Temperature	25.00 °C	Source current			
Humidity	60.00 %	Photocell			
Notes					

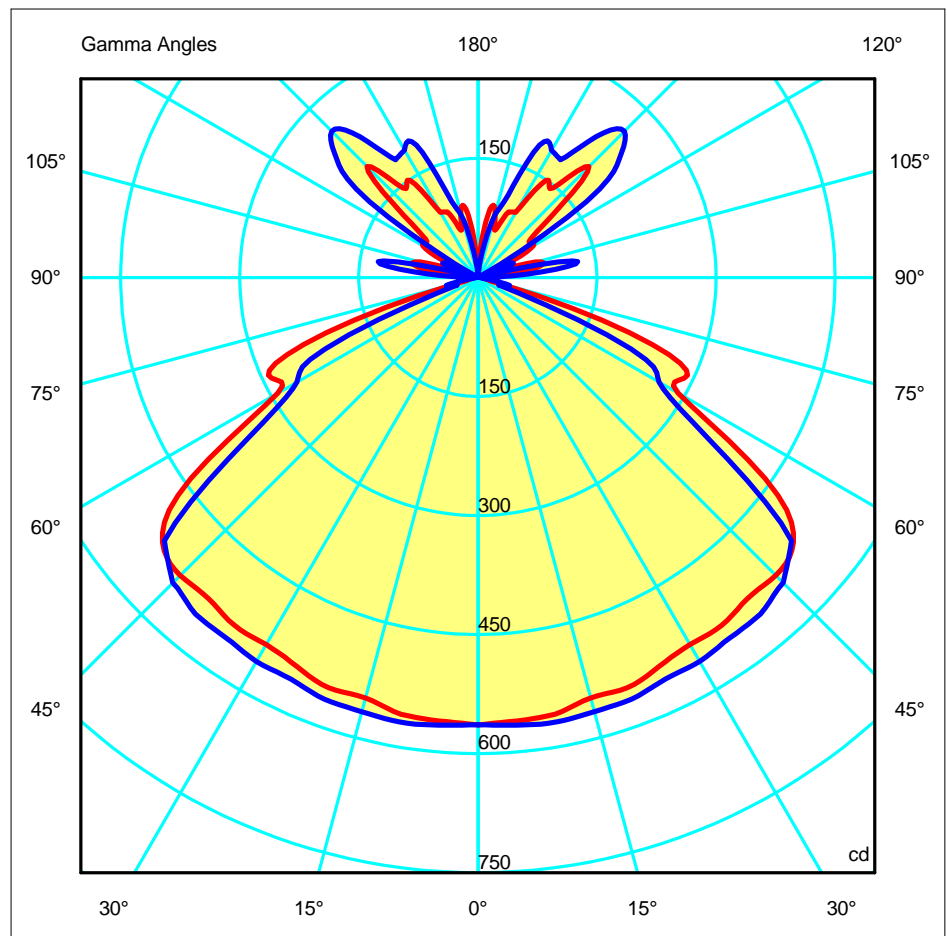
Luminaire Lamps					
Line	Code	Name	Flux [lm]	Pow. [W]	Q.ty
Eulumdat	STANDARD E-27 23W	STANDARD E-27 23W - 23.00 W	1600.00	23.00	3
C.I.E.	47 85 98 74 52	D DIN 5040	B31		
F UTE	0.39 F + 0.13 T	B NBN	BZ 5 / 0.8 / BZ 4		

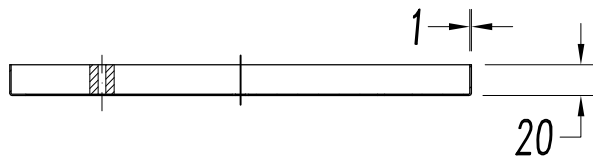
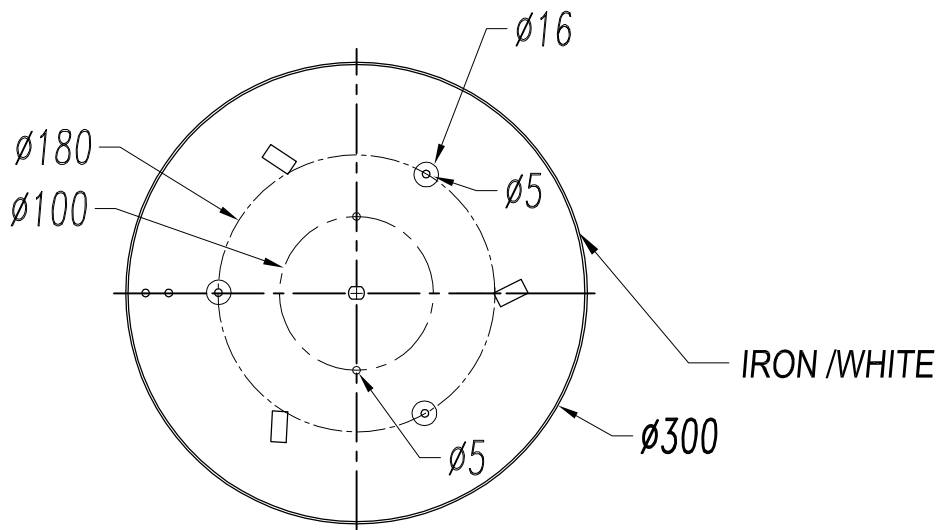
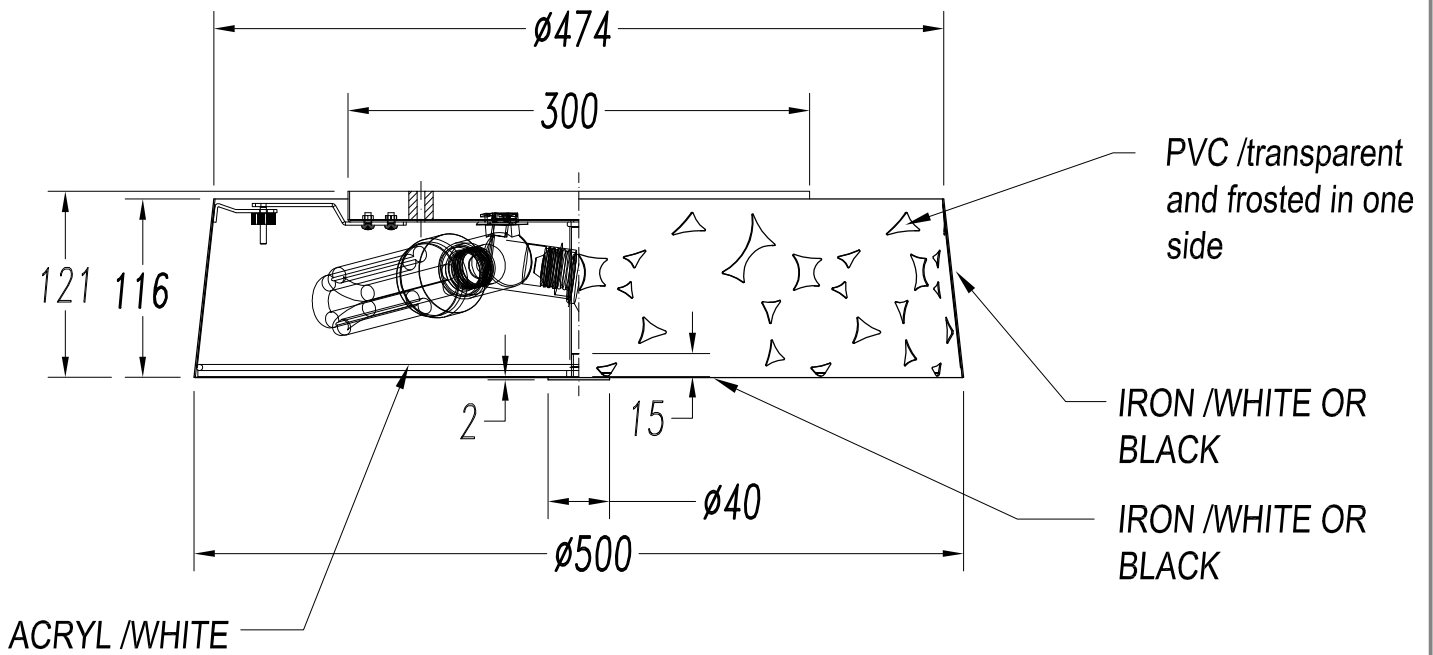
Diam=495mm



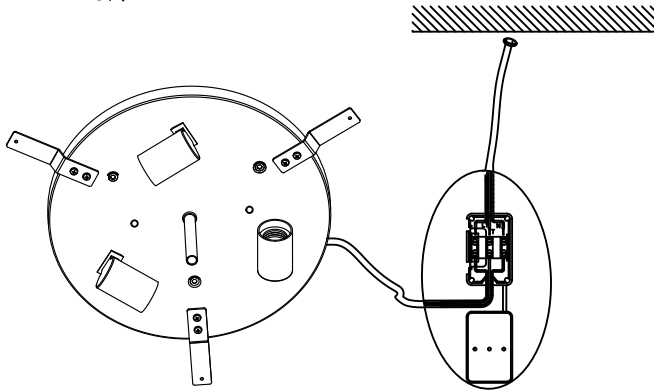
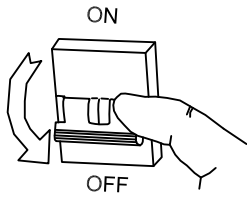
C Halfplanes  
 180.0 — 0.0  
 270.0 — 90.0

ULOR 13.31 %  
 DLOR 38.51 %  
 RN 25.69 %

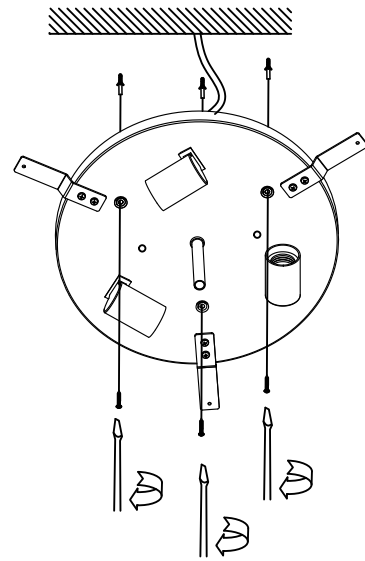




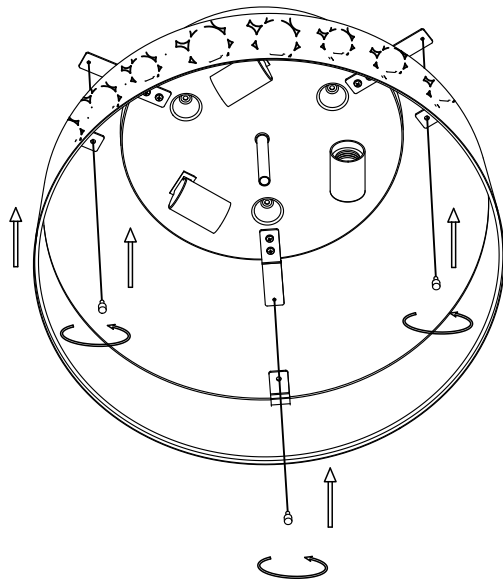
**1**



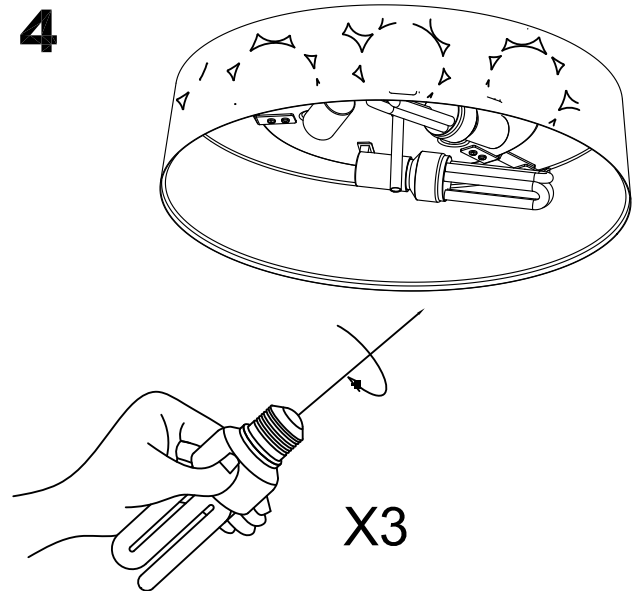
**2**



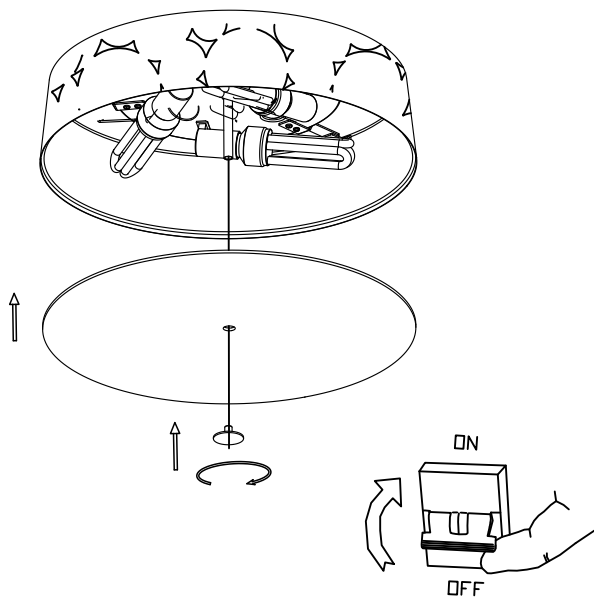
**3**



**4**



**5**



**6**

