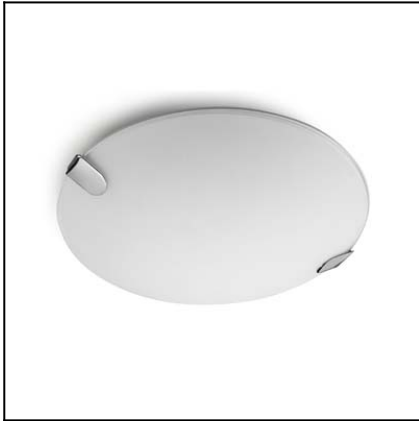
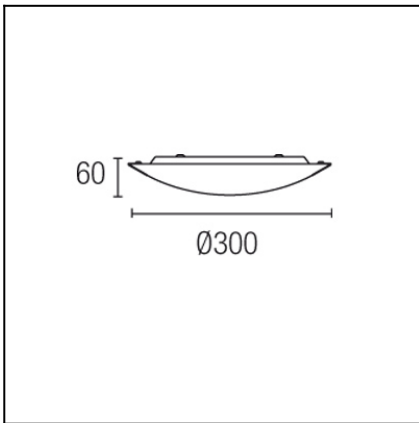


Design by Gemma Bernal


The photograph may not match the reference exactly. Please read the product description to identify the finish.


TECHNICAL CHARACTERISTICS

Type:	Ceiling fixture
IP Protection degrees:	IP23
Lampholder:	2 x E27 2 x E27
Power (W):	E27 13W E27 25w
Total power consumption (W):	120
Voltage / Frequency:	220-240V/50-60Hz
Warranty (Years):	2
Units per box:	4
Net Weight (Kg):	1.175
EAN:	8435111085479,00


MATERIALS / FINISHES

Structure material: Steel
Structure finish: Chrome

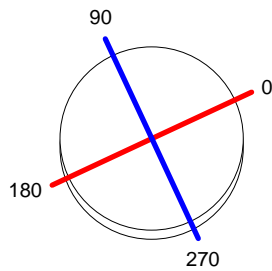
Diffuser material: Glass
Diffuser finish: Satin

[Download photometric file .ldt / .ies](#)

Luminaire		Measur.		Lamp	
Code	15-4682-21-E9	Code	15-4682-21-E9	Code	STANDARD OLIV 25W
Name	Plafón CLIP 2x25W E27 dif opal	Name	Plafón CLIP 2x25W E27 opal	Number	2
Line	- LEDS-C4	Date	18-12-2013	Position	Universal
Efficiency	40.88%	Coordinate system	CG	Total Flux	430.00 lm
Maximum value	51.30 cd	Position	C=0.00 G=0.00	Double Symmetrical	
Round Luminaire	Diam.	300 mm	Height	95 mm	
Round Luminous Area	Diam.	300 mm	Height	65 mm	
Horizontal Luminous Area	0.070686 m2	Emitting area on Plane 180°	0.019500 m2		
Emitting area on Plane 0°	0.019500 m2	Emitting area on Plane 270°	0.019500 m2		
Emitting area on Plane 90°	0.019500 m2	Glare area at 76°	0.036021 m2		
Symmetry Type	Double Symmetrical	Maximum Gamma Angle	180		
Measurement Distance	6.44	Measurement Flux	430.00 lm		
Operator	Asselum T2	Source voltage	230.00 V		
Temperature	20.00 °C	Source current			
Humidity	48.00 %	Photocell	PRC		
Notes					

Luminaire Lamps					
Line	Code	Name	Flux [lm]	Pow. [W]	Q.ty
PHILIPS 2005 ILCOS IA,IB,IC	STANDARD OLIV 25W	STANDARD OLIVA 25W E14 230V	215.00	25.00	2
C.I.E.	42 71 90 93 41	D DIN 5040			
F UTE	0.38 G + 0.03 T	B NBN	A31	BZ 5	

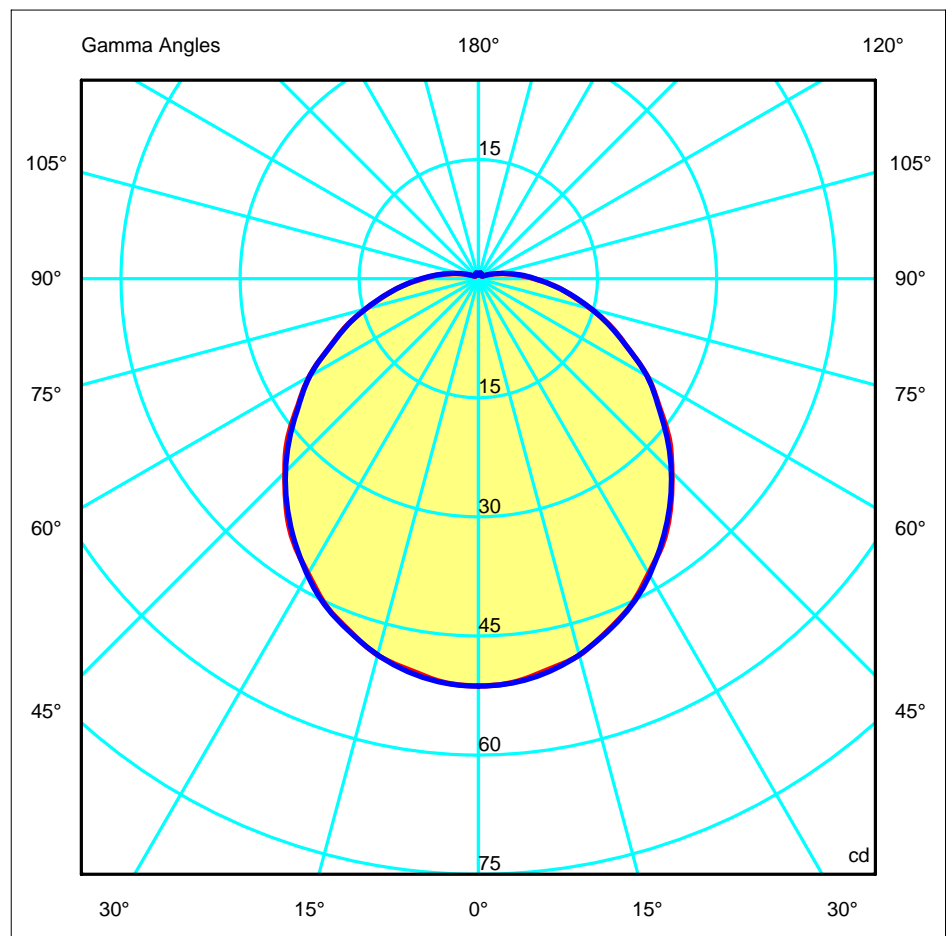
Diam=300mm



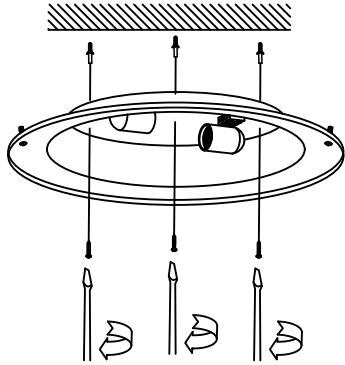
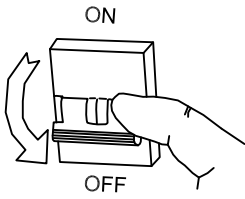
C Halfplanes

180.0 — 0.0
270.0 — 90.0

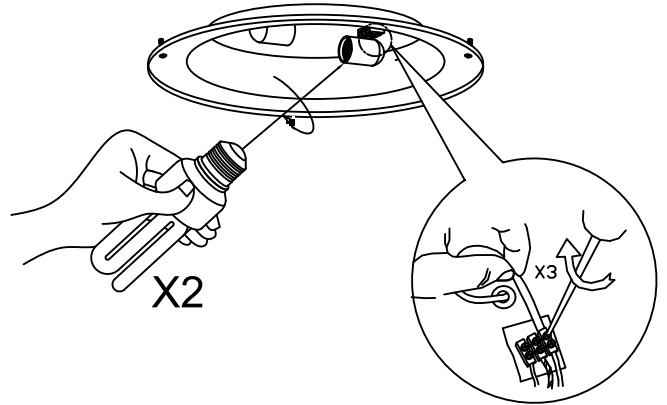
ULOR 2.85 %
DLOR 38.03 %
RN 6.97 %



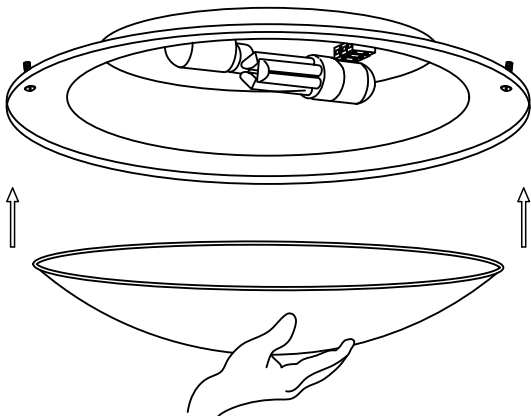
1



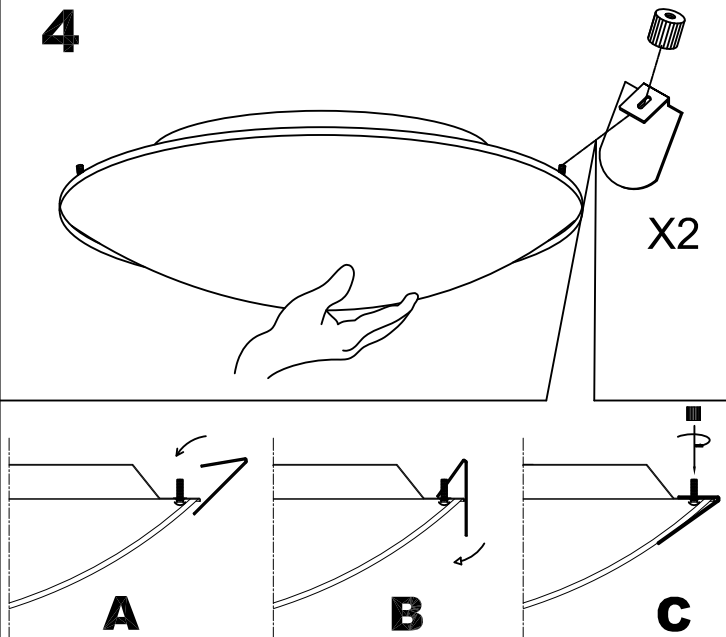
2



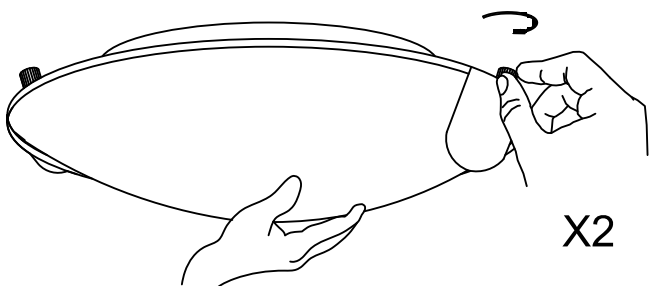
3



4



5



6

