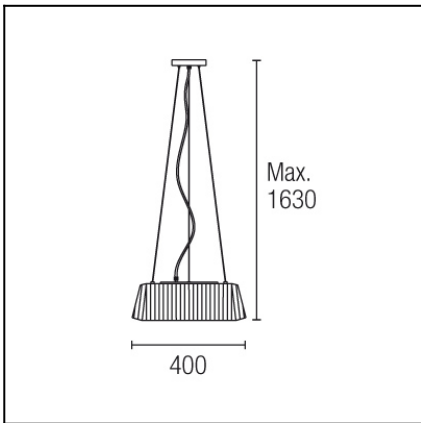


Design by Nahtrang Design



The photograph may not match the reference exactly. Please read the product description to identify the finish.



TECHNICAL CHARACTERISTICS

| | |
|------------------------------|--------------------|
| Type: | Ceiling fixture |
| IP Protection degrees: | IP23 |
| Lampholder: | 2 x E27 2 x E27 |
| Power (W): | E27 23W E27 40w |
| Total power consumption (W): | 120 |
| Voltage / Frequency: | 220-240V/50-60Hz |
| Warranty (Years): | 2 |
| Units per box: | 2 |
| Net Weight (Kg): | 1.515 |
| EAN: | 8435111086490,00 |



MATERIALS / FINISHES

Structure material: Steel

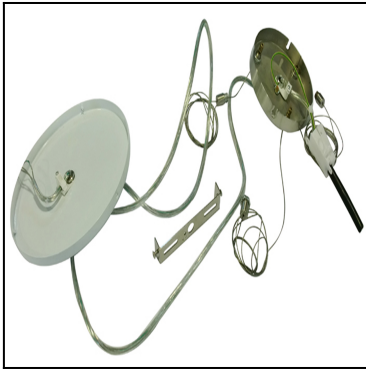
Diffuser material: Fabric shade
Acrylic

Structure finish: White

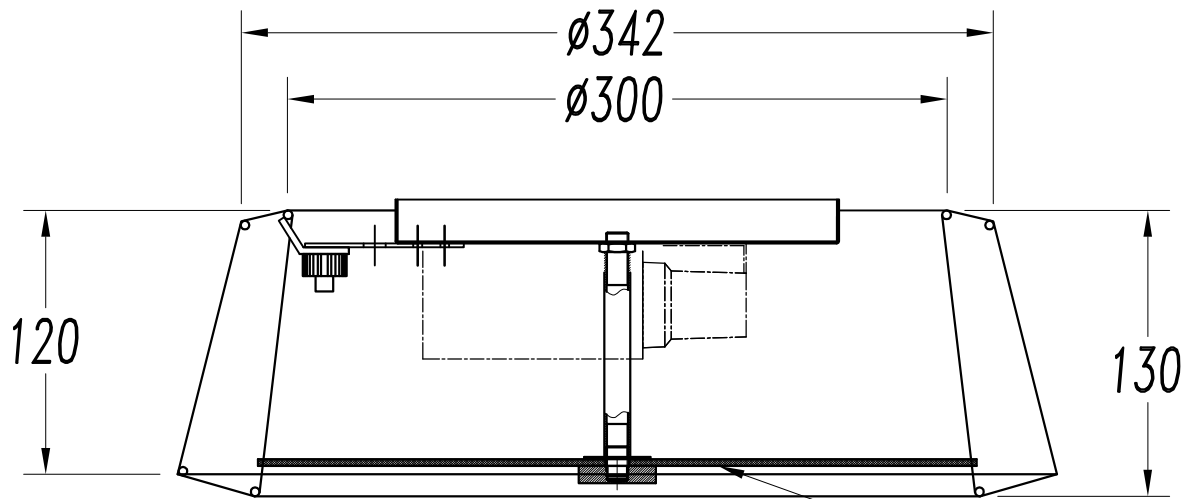
Diffuser finish: Brown
Satin

[Download photometric file .ldt / .ies](#)

71-4695-81-81



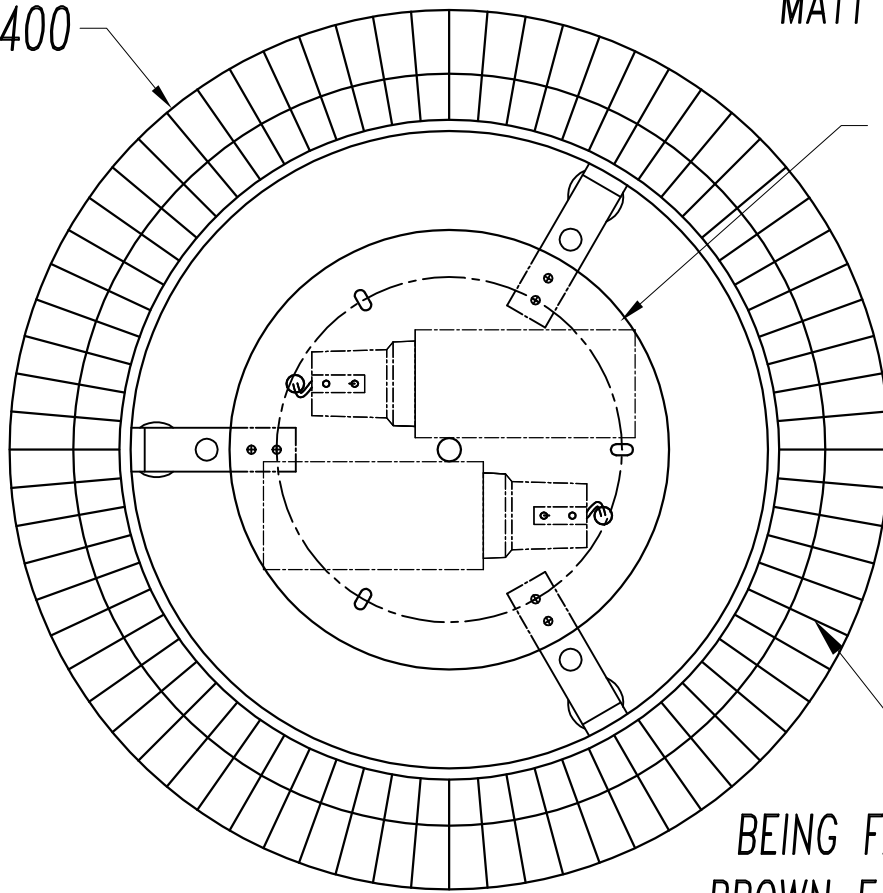
IP20



$\phi 400$

MATT ACRYL

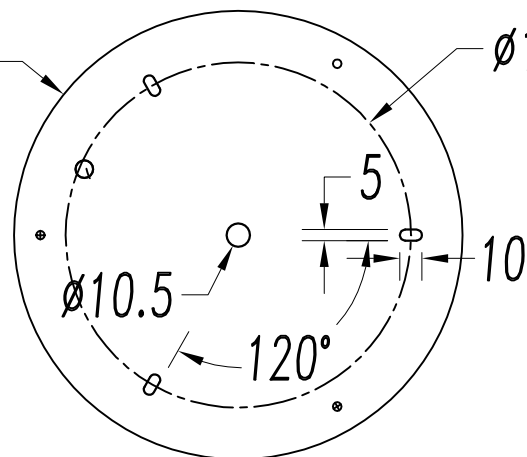
IRON/WHITE



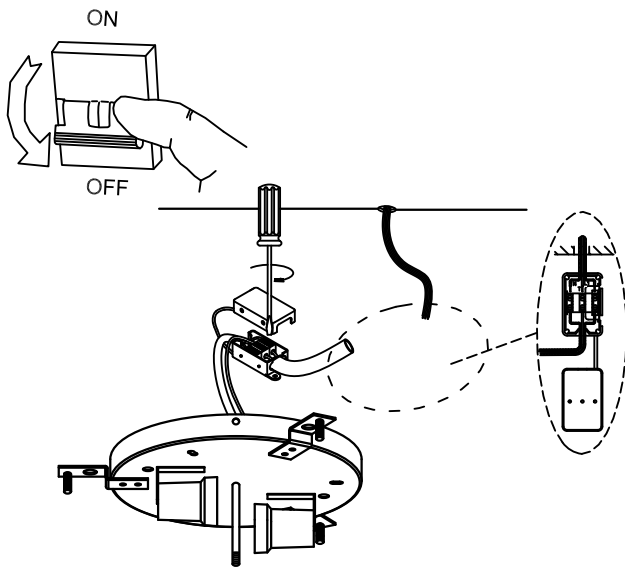
BEING FABRIC SHADE
BROWN FABRIC SHADE

$\phi 204$

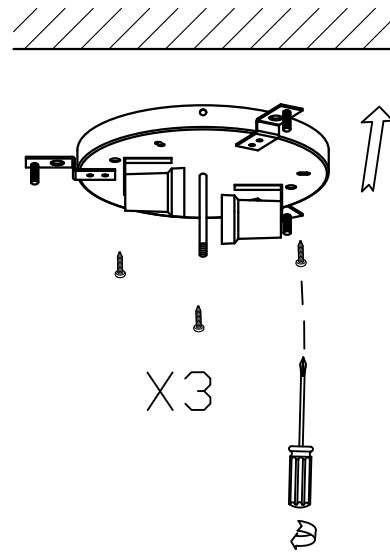
$\phi 157$



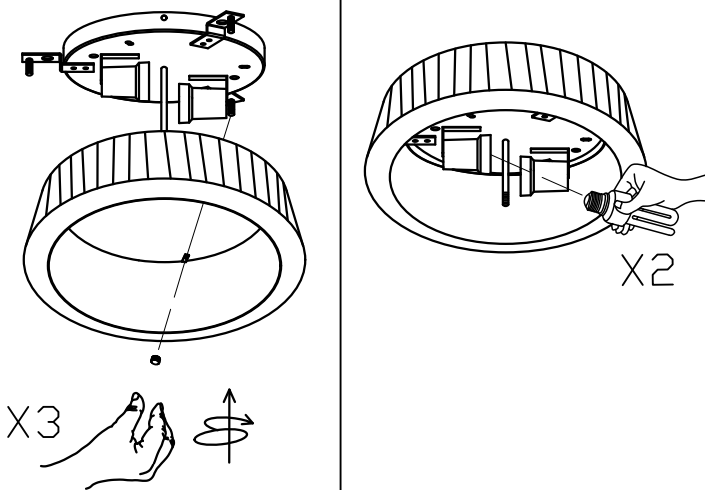
1



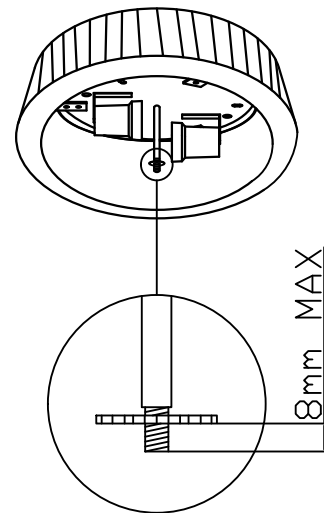
2



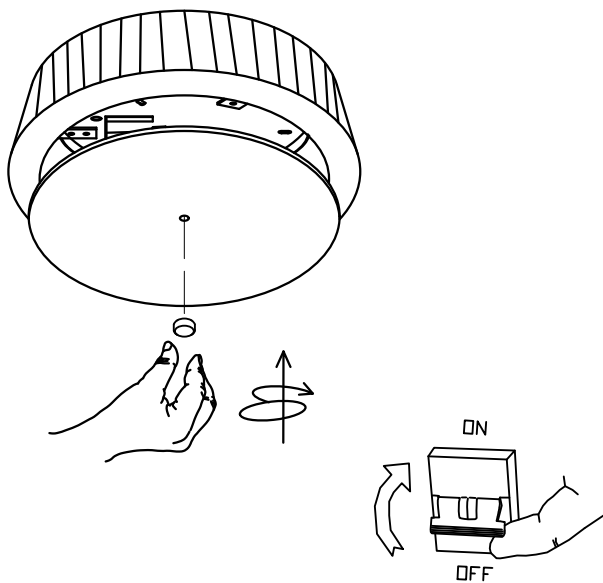
3



4



5



6

