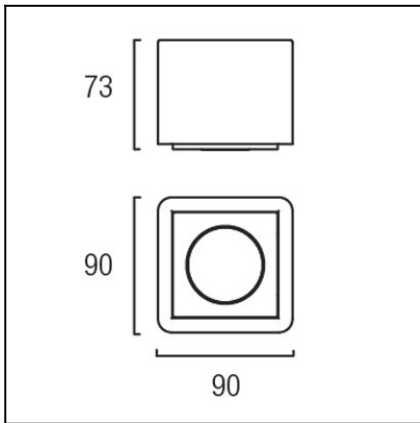


Design by Josep Patsí



The photograph may not match the reference exactly. Please read the product description to identify the finish.



TECHNICAL CHARACTERISTICS

Type:	Ceiling fixture
IP Protection degrees:	IP20
Lampholder:	1 x GU10 1 x GU10
Power (W):	GU10 MAX 35W
Voltage / Frequency:	220-240V/50-60Hz
Warranty (Years):	2
Units per box:	10
Net Weight (Kg):	0.335
EAN:	8435111090831,00



MATERIALS / FINISHES

Structure material: Aluminium
Structure finish: Metallic grey

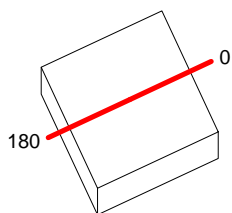
Diffuser material: Polycarbonate
Diffuser finish: Transparent

[Download photometric file .ldt / .ies](#)

Luminaire		Measur.		Lamp	
Code	15-4716_5W_24D	Code	15-4716_5W_24D	Code	15-4716_5W_24D
Name	LEDBOX	Name	LEDBOX	Number	1
Line	Eulumdat	Date	29-04-1994	Position	
Efficiency	99.95%	Coordinate system	CG	Total Flux	165.00 lm
Maximum value	532.50 cd	Position	C=0.00 G=0.00	Rotosymmetrical	
Rectangular Luminaire Round Luminous Area	Length Diam.	90 mm 50 mm	Width Height	90 mm 34 mm	Height 73 mm
Horizontal Luminous Area Emitting area on Plane 0° Emitting area on Plane 90°	0.001963 m2 0.001700 m2 0.001700 m2	Emitting area on Plane 180° Emitting area on Plane 270° Glare area at 76°		0.001700 m2 0.001700 m2 0.002125 m2	
Symmetry Type Measurement Distance	Rotosymmetrical 0.00	Maximum Gamma Angle Measurement Flux		90 165.00 lm	
Operator Temperature Humidity Notes	25.00 °C 60.00 %	Source voltage Source current Photocell			

Luminaire Lamps						
Line	Code	Name	Flux [lm]	Pow. [W]	Q.ty	
Eulumdat	15-4716_5W_24D	15-4716_5W_24D - 5.00 W	165.00	5.00	1	
C.I.E.	94 100 100 100 100	D DIN 5040	A60			
F UTE	1.00 A	B NBN	BZ 1			

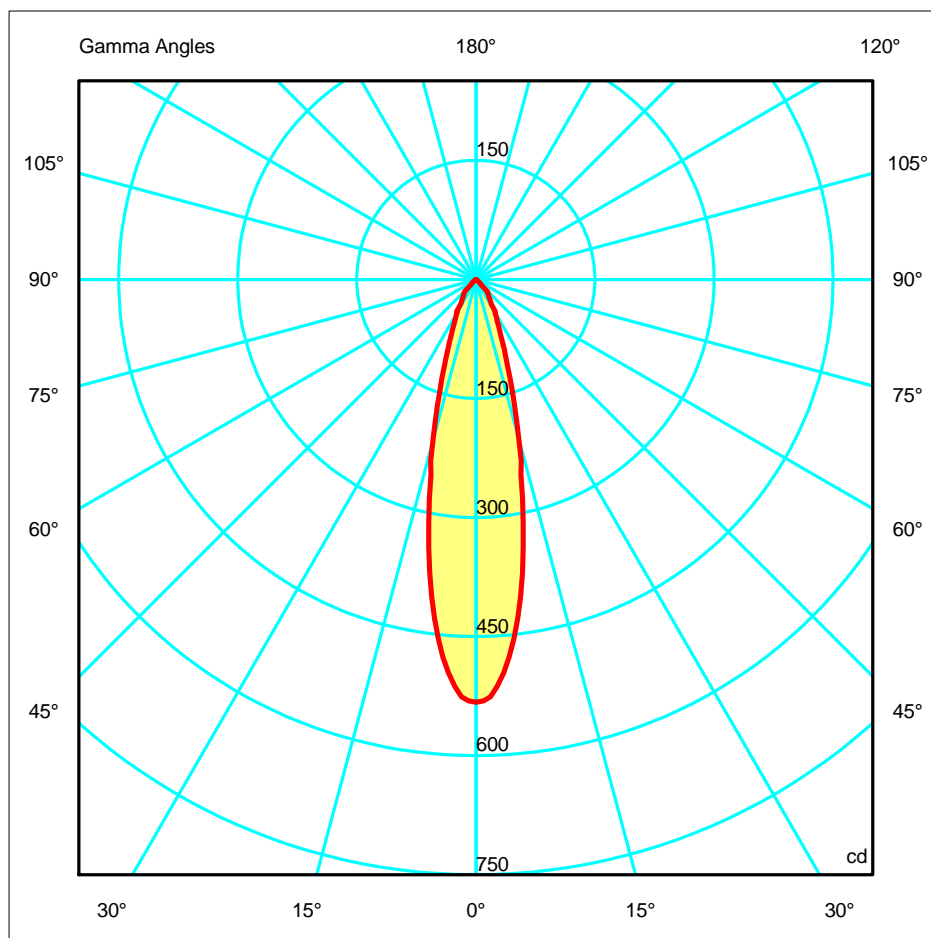
90mm x 90mm

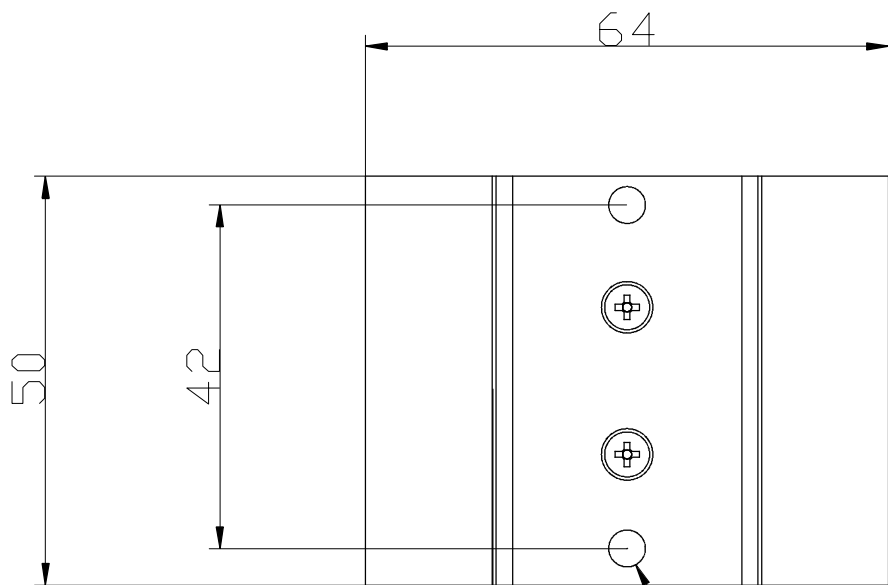
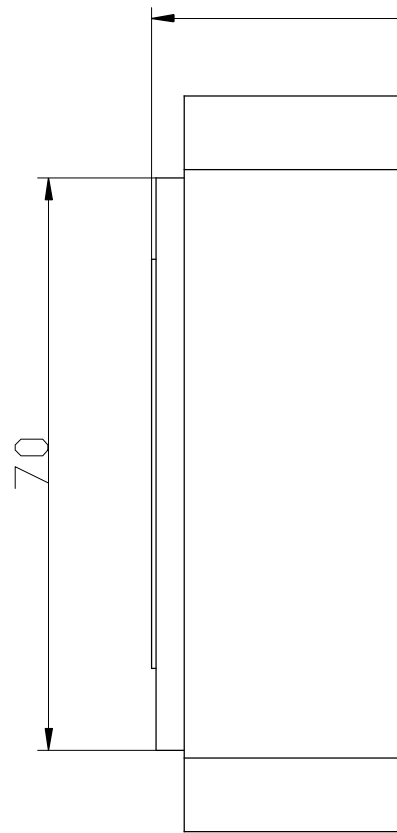
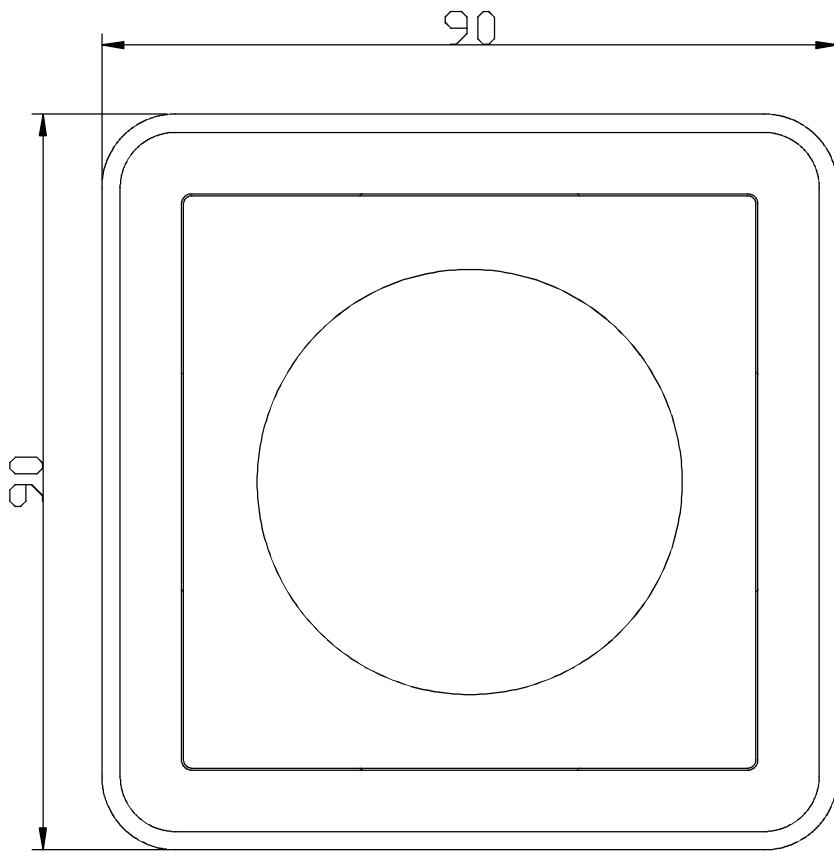


C Halfplanes

180.0 — 0.0

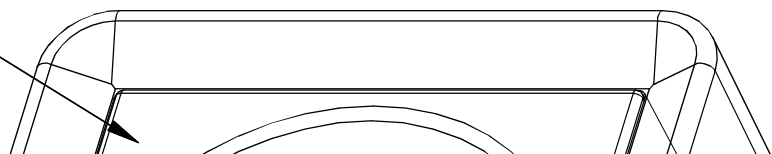
ULOR 0.00 %
DLOR 99.95 %
RN 0.00 %



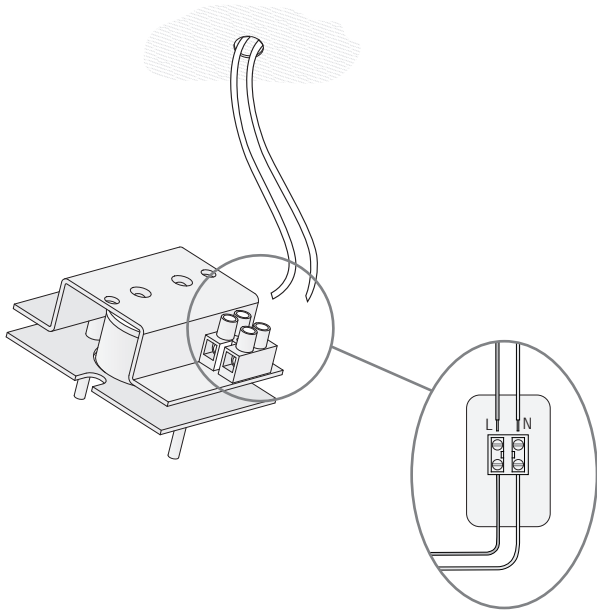


Zinc alloy (grey) /
Zamak (gris)

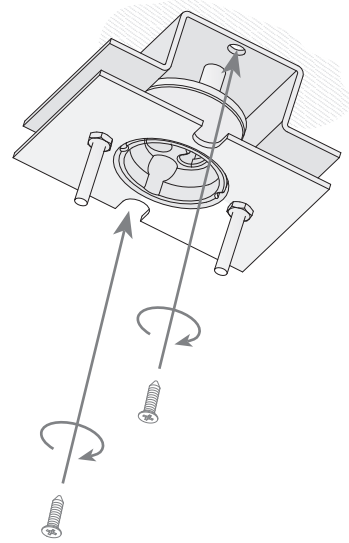
alum
alum



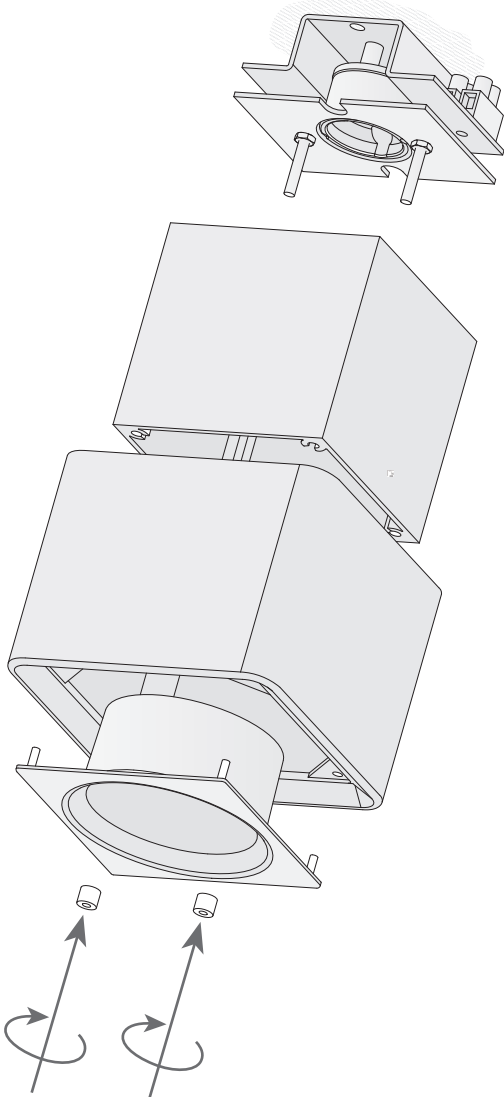
1



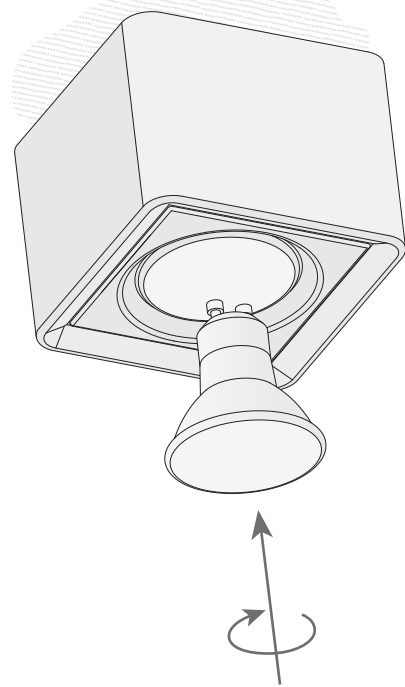
2



3



4



5

