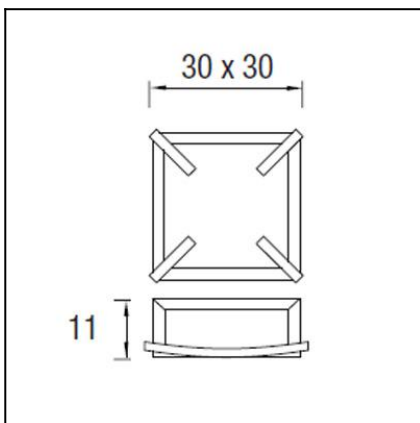


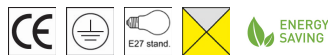


The photograph may not match the reference exactly. Please read the product description to identify the finish.



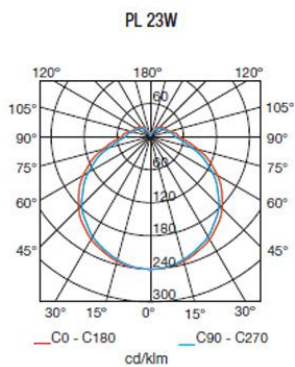
### TECHNICAL CHARACTERISTICS

Type:	Ceiling fixture
IP Protection degrees:	IP44
Lampholder:	2 x E27
Power (W):	E27 max. 60W
Total power consumption (W):	120
Voltage / Frequency:	220-240V/50-60Hz
Warranty (Years):	2
Units per box:	6
Net Weight (Kg):	1.915
EAN:	8435111055892



### MATERIALS / FINISHES

<b>Structure material:</b>	High purity aluminium	<b>Diffuser material:</b>	Polycarbonate
<b>Structure finish:</b>	Urban grey	<b>Diffuser finish:</b>	Matt



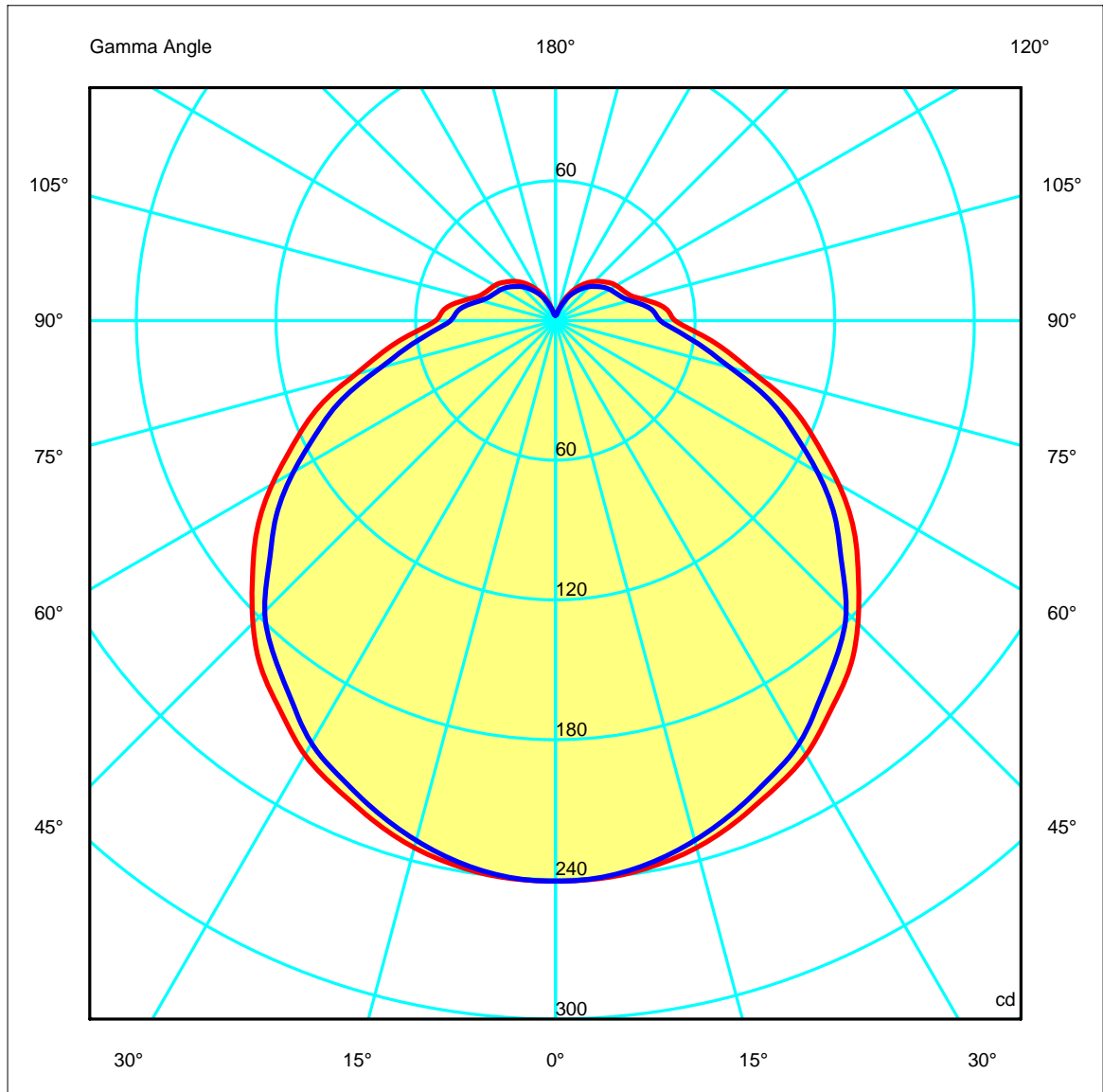
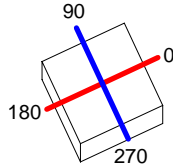
Download photometric file .ldt / .ies

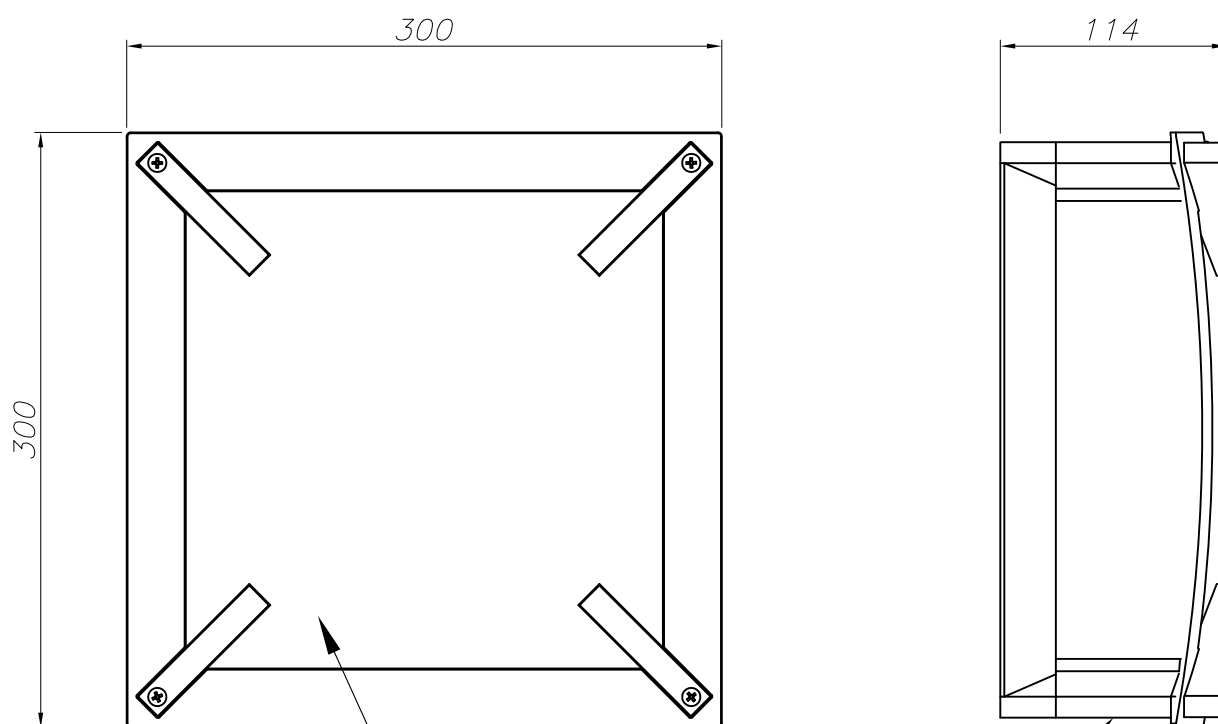
Luminaire		Measurement		Lamp	
Code	15-9298	Code	15-9298	Code	PLEC23
Name	Plafon Mark 2x23	Name	Plafon MARK 2x23E E27	Number	2
Line	- LEDS-C4	Date	28-12-2010	Position	Universal
Efficiency	34.40%	Coordinate system	C-G	Total Flux	3000.00 lm
Maximum value	240.74 cd	Position	C=0.00 G=0.00	Double Symmetrical	

300mm x 300mm

C Halfplanes

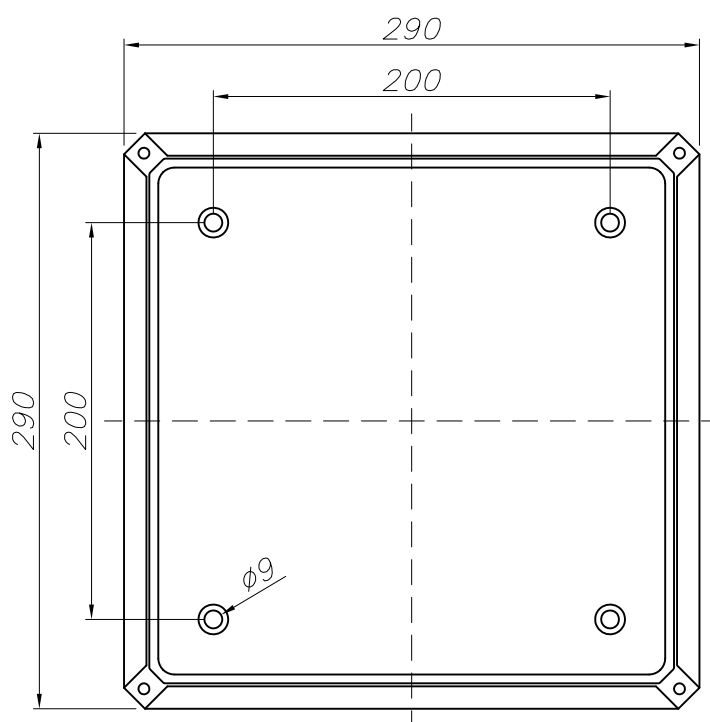
180.0 ——— 0.0  
 270.0 ——— 90.0





PC SEMITRASPARENTE MATE  
SEMITRASPARENT MATT PC

ALUMINIO INYECTADO  
INJECTED ALUMINIUM



PLANTILLA DE INSTALACI6N  
INSTALLATION TEMPLATE

